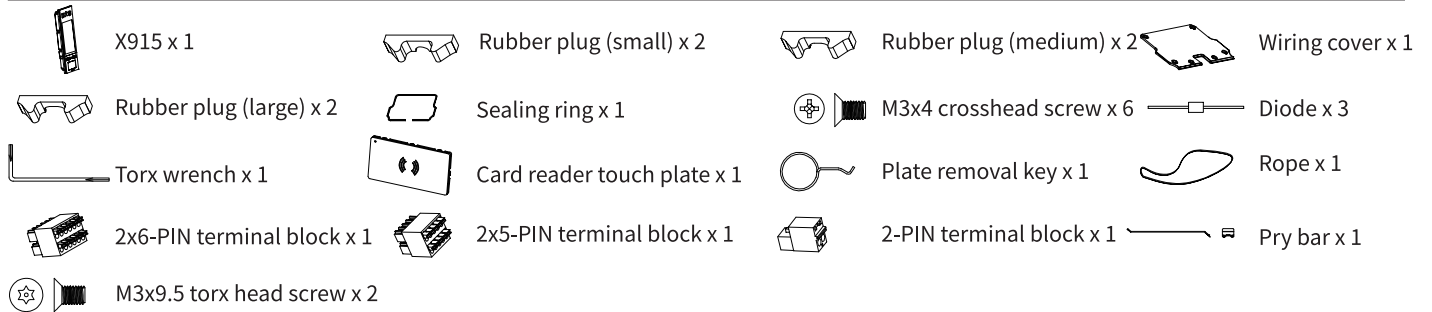


Unpacking

Before you start using the device, please check the version you have received and ensure that the following items are included in the shipped box:

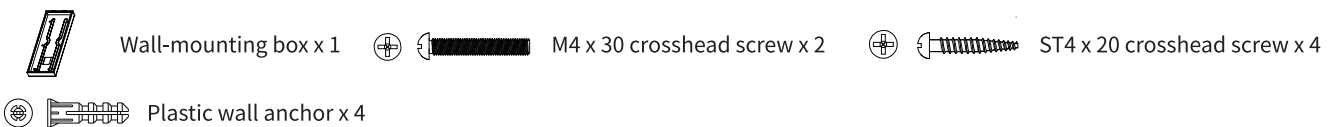
Mainframe Accessories :



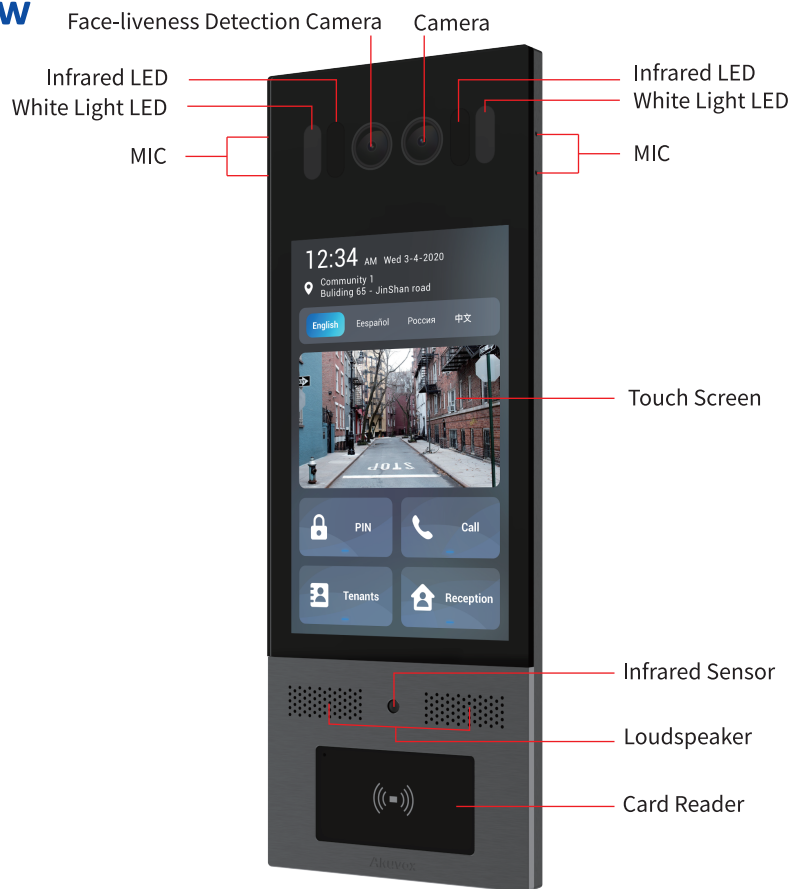
Flush-mounting Accessories (Please find in In-Wall Installation Kit box):



Wall-mounting Accessories (Please find in On-Wall Installation Kit box):



Product Overview

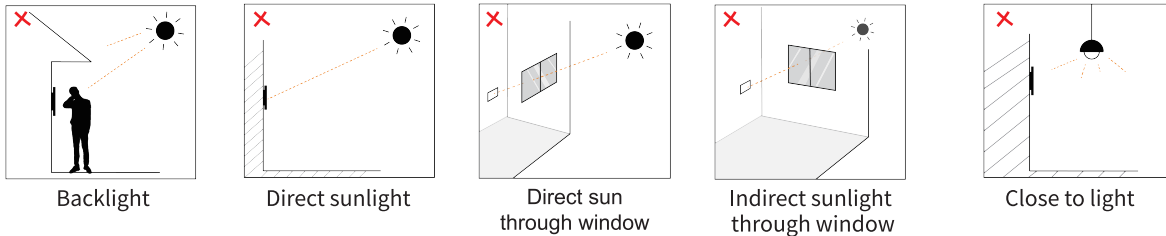


X915X

Installation Environment

Please do not place device under direct sunlight.

If installing the device indoors, please keep device at least 2 meters away from light, and at least 3 meters away from window and door.



Attention:

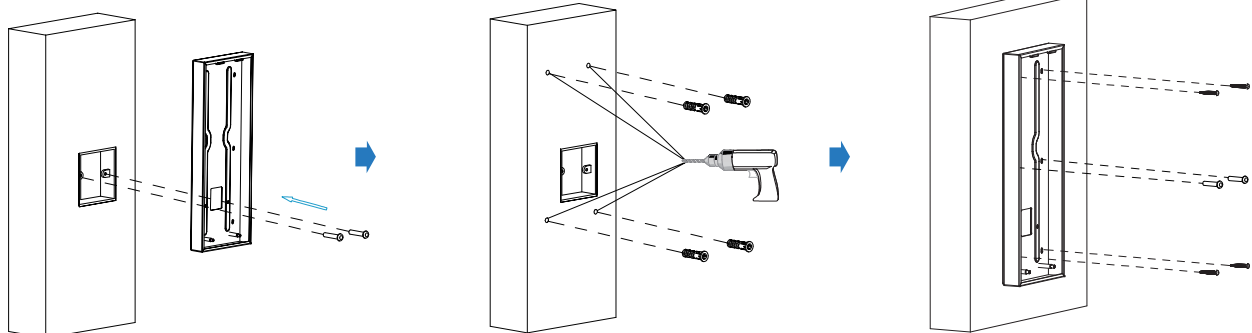
Biometric recognition product may not be 100% accurate and applicable to all scenarios and environment. For higher security purpose or scenario, please set up access authentication combination.

Installation

Step 1: Wall-mounting Box or Flush-mounting Box Installation

1. Wall-Mounting

1.1 With 86x86 mm embedded junction box in the wall

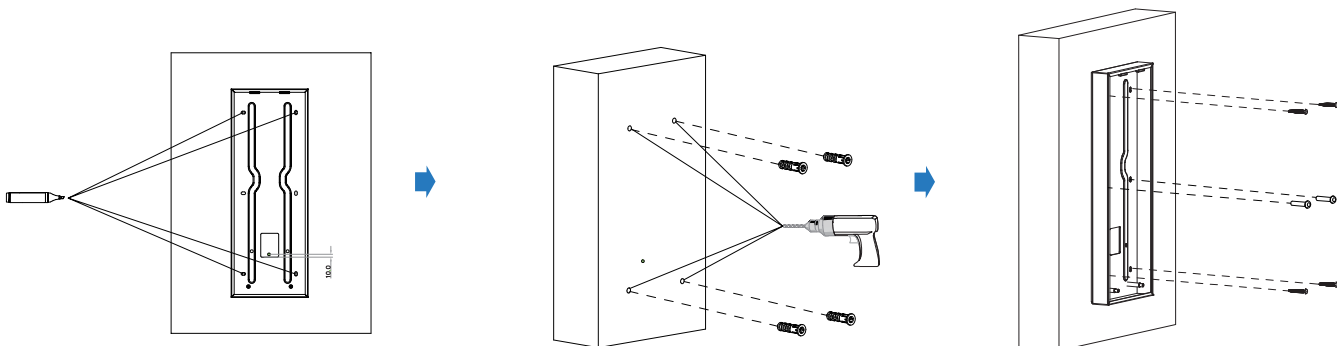


Fix the wall-mounting box on to the embedded box (86) with two M4x30 crosshead screws, mark the positions of the four holes of the wall-mounting box at the hole center.

Take off the box and drill the four marked holes using 6 mm drill bit hand drill before inserting the plastic wall anchors into the drilled holes.

Place the wall-mounting box closely against the wall while lining up its four holes with their corresponding drilled holes and then fix the wall-mounting box on the wall by tightening the four ST4x20 crosshead screws and two M4x30 crosshead to the plastic wall anchors.

1.2 Without embedded junction box in the wall



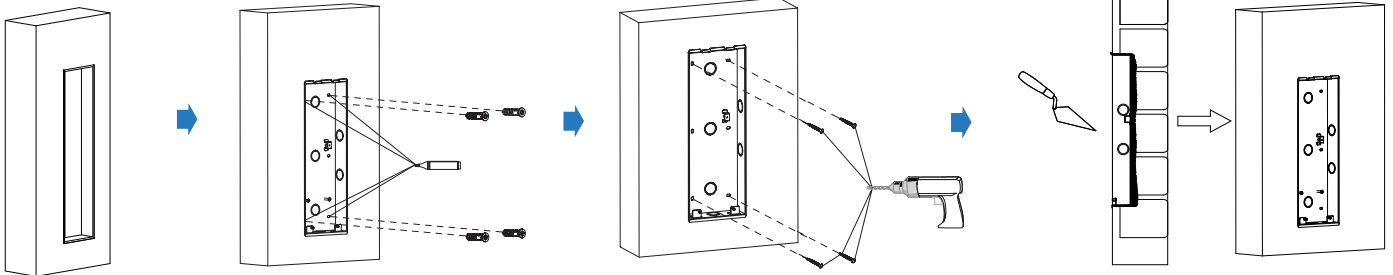
According to the position of the wire on the wall, put the wall-mounting box closely on to the wall and mark the four positioning holes, while making sure that relative positions between wall-mounting box and wiring hole are correct.

Drill the marked holes using 6 mm drill bit hand drill before inserting plastic wall anchors in to the drilled holes.

Place the wall-mounting box closely against the wall while lining up its four holes with their corresponding drilled holes and then fix the wall-mounting box on the wall by tightening four ST4x20 crosshead screws and two M4x30 crosshead screws to the plastic wall anchors.

Note: It is recommended that you keep the bottom side of the square hole 10mm away from the wiring hole on the wall as indicated in the figure.

2. Flush-Mounting



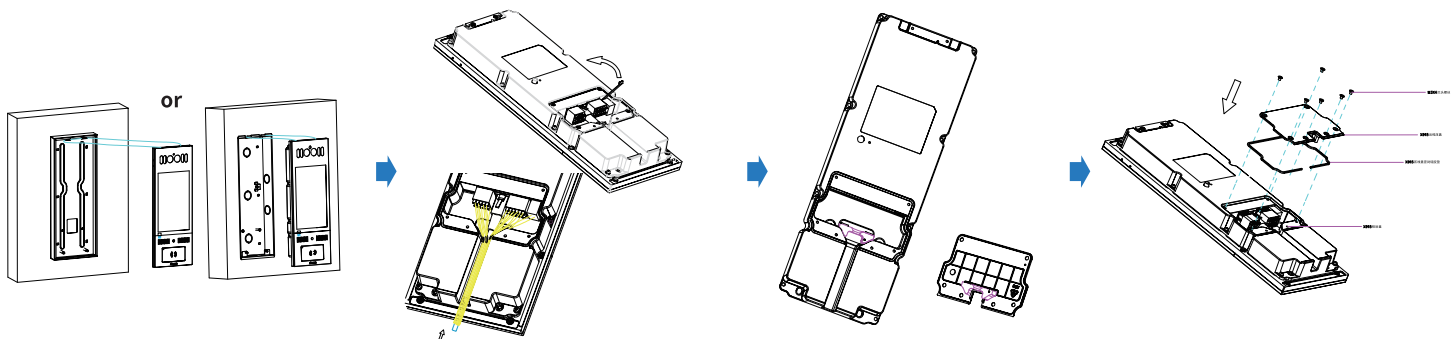
Cut out a square hole with the dimension (height*width*depth = 337*122*57 mm).

Insert the flush-mounting box in to the hole and mark the the positions of the four holes of the flush-mounting box on the wall, then take off the box and drill the holes on the marked positions using 6 mm drill bit hand drill before inserting the plastic anchors in to the drilled holes.

Break off the round knock-out wiring holes and lead the wires through the corresponding hole in to the flush-mounting box, then press the flush-mounting box in to the square hole. The upper and lower folded edges of the flush-mounting box must fit snugly against the wall. Then fix the box using the four plastic wall anchors and the four ST4x20 crosshead screws.

Make sure that the flush-mounting box are well tightened and its upper and lower folded edges are fit snugly against the wall, fill in the gap between the wall and the flush-mounting box using cement or non-corrosive structural adhesive and wait until the cement is hardened before proceeding to the next step.

STEP 2: Wiring Cover Installation



Hang the one end of the rope on to the square hanger on the wall-mounting/flush-mounting box then hang the other end of the rope on to the square hook on the device for the convenience of the later wire installation etc.

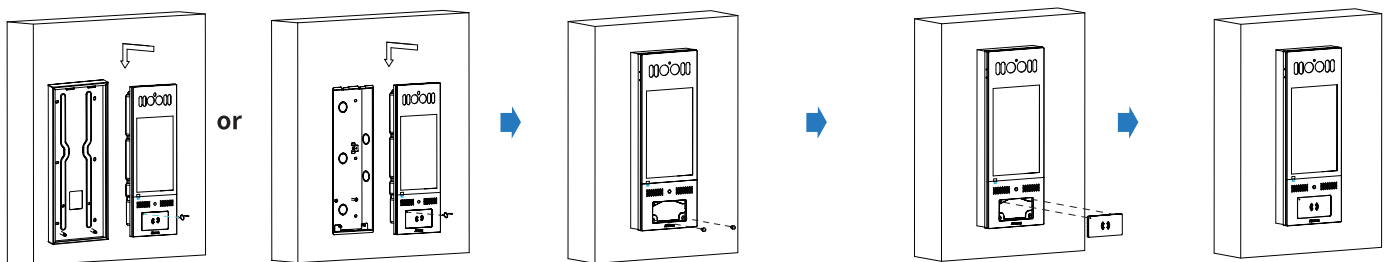
Connect the wires to the terminal blocks as needed (for details, refer to "Device Wiring"), then insert the terminal blocks into the corresponding interface of the main board as indicated in the drawing according to the number of PIN.

Note: The pry bar attached can be used to unplug the terminal blocks if needed.

Choose a suitable size rubber plug (small, large and medium) to hold down the wires, while tearing off the adhesive sticker on the selected rubber plug and stick it on to the X915 wiring cover and then tear off the adhesive sticker on the other rubber plug of the same size and stick it on to the wiring cover in the position as indicated in the drawing.

Press wiring cover and sealing ring into the corresponding groove as indicated by the arrow and then tighten the wiring cover by six M3x4 crosshead screws.

STEP 3: Device Mounting



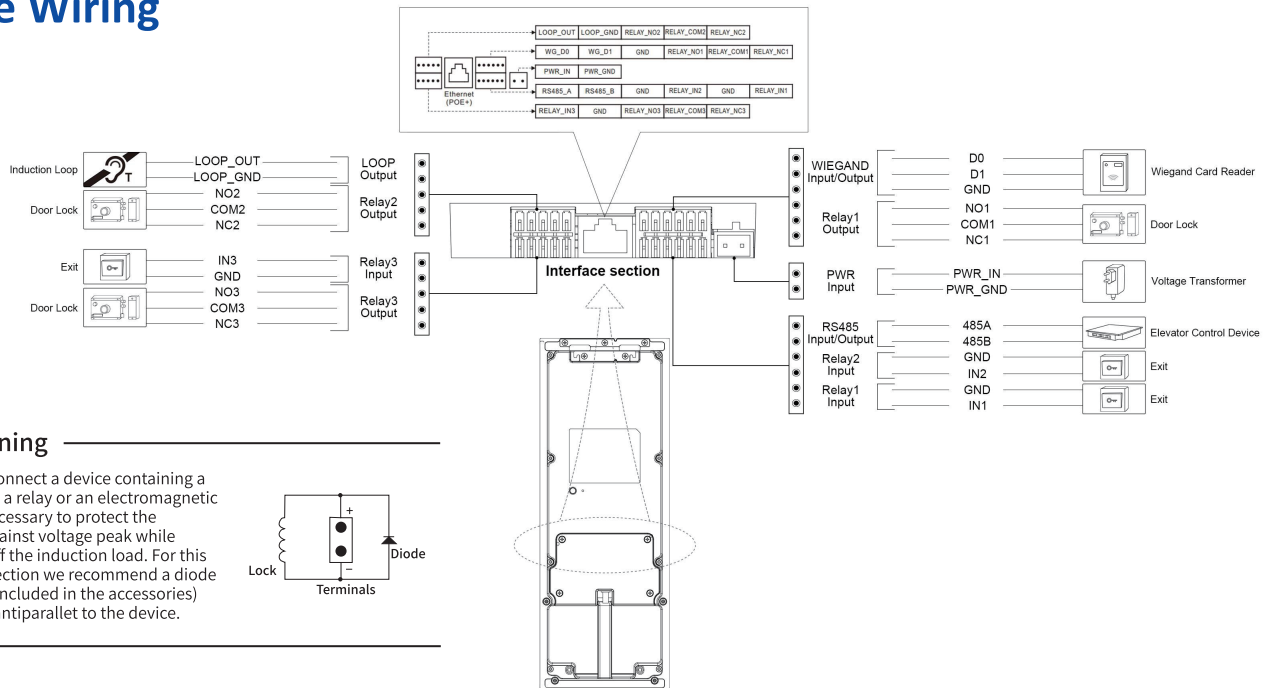
Take off the rope and hang the device on to the two square hangers on the wall-mounting/flush-mounting box. Stick the plate removal key in to the small hole on the upper left corner of the card reader touch plate to pull out the plate.

Drive the two M3x9.5 torx head screw in to their corresponding holes.

Press the card reader touch plate in to the card reader opening.

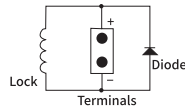
Installation is completed, please remove the protective film.

Device Wiring

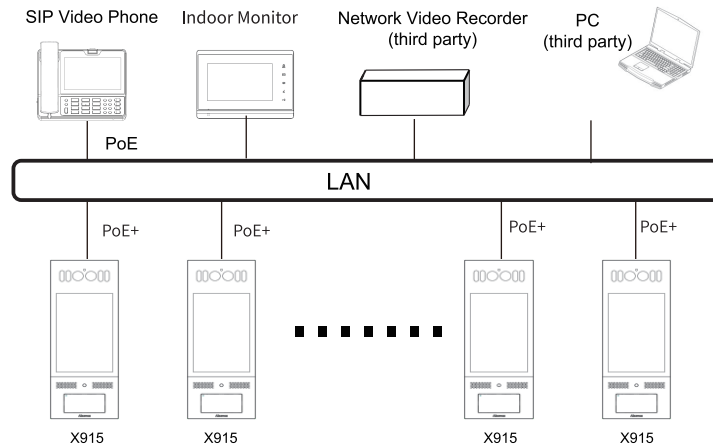


Warning

When you connect a device containing a coil, such as a relay or an electromagnetic lock, it is necessary to protect the intercom against voltage peak while switching off the induction load. For this way of protection we recommend a diode 1 A / 200 V (included in the accessories) connected antiparallel to the device.



Application Network Topology



Configuration

- 1.IP address Checking:** Press 9999 on the dial screen, then press 3888 to enter the system screen and click **Info** to check the device IP address. X915 uses DHCP by default.
- 2.Account Registration:** On the device, go to **Setting > Account** to enable the function and fill in the account information, then click **Submit**. (Please refer to user manual for more information).

Operation

- Make a call:** Enter the IP or SIP number and press Dial tab to make a call.
- Receive a call:** X915 supports Auto Answer by default. Incoming call from indoor device will be answered automatically.
- Unlock by PIN:** Click **PIN icon** to enter PIN code for the door access.
- Unlock by RF Card:** Place the configured RF card on the RF card reader area for the door access.



Notice Information

Information contained in this document is believed to be accurate and reliable at the time of printing. This document is subject to change without notice, any update to this document can be viewed on Akuvox's website: <http://www.akuvox.com> © Copyright 2022 Akuvox Ltd. All rights reserved.

