



Network Product



Ultra Series

120 FPS @ 1080P



Pro Series

5MP / 3MP / 1080P



L Series

15 FPS @ 1080P



Z Series

Auto Focus feature



PTZ Series

HD IP PTZ Dome camera



NVR Series

Network Video Recorder



Peripheral

Software / Recorder / PoE Series



Creativity,
Progress, &
Excellence

2	UHG1182	62	ZG1232X
4	UFG1122	64	ZR7424X / ZR7428X
6	SG1122	66	ZR6122X
8	SR7424X / SR7428X	68	ZR2322X
10	SR7022	70	ZD6122X
12	SD2222	72	ZD2322X
14	IPG1052	74	LR7224X / LR7228X
16	IPR7334X / IPR7338X	76	LR7424X / LR7428X
18	IPR434X / IPR438X	78	LR7722X
20	IPR732	80	LR7022
22	IPR6132X	82	LR6122X
24	IPD6132X	84	LR6022X
26	IPG1032X	86	LR2322X
28	FD2452 / FD2452V	88	LR7922
30	IPR424X / IPR428X	90	LR2122
32	IPR7424X / IPR7428X	92	LR2522
34	IPR7722X	94	LD6122X
36	IPR722	96	LD2322X
38	IPR6122X	98	LD2122
40	IPR320X	100	LD2222
42	IPR2322X	102	LB1022X
44	IPR7922	104	IPR7424-IVS
46	IPR2122	106	IPR722-IVS
48	IPR2522	108	IPR6122-IVS
50	IPD6122X	110	IPD2220-IVS
52	IPD2322X	112	IPG1022-IVS
54	IPD2122	114	ZR6122-IVS
56	IPD6220 / IPD6222	116	IPC0122
58	IPD2220	118	IPS2124N/P / IPS2128N/P
60	IPG1022X	120	IPS3124N/P / IPS3128N/P



INDEX

122	IPS9364N/P / IPS9368N/P	182	NAV 1108
124	IPS8364N/P / IPS8368N/P	184	NAV 1072
126	IPS9264N/P / IPS9268N/P	186	NAV 1036
128	IPS8264N/P / IPS8268N/P	188	NAV 2036
130	IPS5204 / IPS5208	190	NAV 3025
132	IPS5200E	192	ANPR-FL / ANPR-PK
134	IPS4204E / IPS4208E	194	PMH-IP01 / PMH-IP01H
136	IPS5184 / IPS5188	195	PMH-POE570WAT
138	IPS5180E	196	PMH-POE08130WAT
140	IPS4184E / IPS4188E	197	PMH-POE08130WT4
142	IPS4304E / IPS4308E	198	PMH-POE08260WAT
144	IPS5304 / IPS5308	199	PMH-EW24V
146	IPS5300E	200	PMH-POE16260WAT
148	IPS2102E	202	PMH-POE24390WAT
150	IPS3102E	204	PMH-24G500W / PMH-24G250W
152	NVR116D / NVR116	206	PMH-EWM16RS
154	NVR109	208	PMH-RF-G
156	NVR104	209	IJ1748D / SL1212D1 / IJ5056D
158	NVR404C	210	SL4024A / SL4012D
160	NVR408M	211	BTE02S
162	NVR100L		
164	NVR200L		
166	NVR400L		
168	NVR1400		
170	NVR2400		
172	VS212		
174	VD022		
176	CMX Software		
178	Navigator 1.0 Enterprise		
180	Navigator 1.0 Lite		



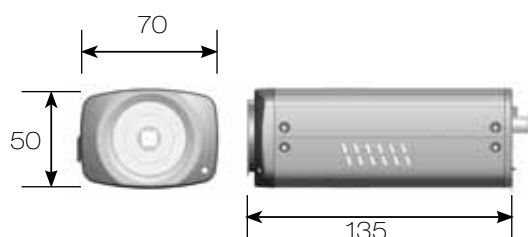
4K Ultra HD Camera – UHG1182, is featuring 30 FPS and 3,840-by-2,160-pixel picture. As the demand of super resolution in video surveillance is on the rise, 4K is the stepping stone of prevalent 1080P Full HD. LILIN's new 4K Ultra HD network camera, UHG1182, enhances HD images by providing four times HD picture with beautifully natural detail and astounding saturated colors. 4K Ultra HD video doubles the vertical resolution from 1080P to 2160P vertical lines of resolution. The UHG1182 is also available with ONVIF compliance.

FEATURES :

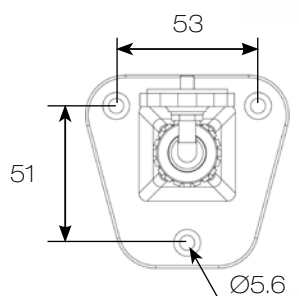
- Ultra HD 12.0 megapixel CMOS image sensor
- 4K True H.264 AVC High Profile video compression
- H.264 and Motion JPEG multi-profile video streaming
- 3D Noise Reduction (MCTF) / 2D WDR function
- Digital PTZ supported
- Tampering / audio / motion / alarm detection
- Day & Night (IR cut removable)
- 2-way audio supported
- Built-in highly sensitive microphone
- Digital I/O : 1 in, 1 out
- ONVIF supported
- RS-485 supported

DIMENSIONS : (Unit : mm)

70mm x 50mm x 135mm (W x H x D)



INSTALLATION HOLE SITE DIAGRAM :



SPECIFICATION :

Name	Day & Night 4K Ultra HD IP Camera
Model	UHG1182E
Pick up element	1/2.3" CMOS image sensor
Effective pixels	4168 (H) x 3062 (V) = 12,762,416 (pixels)
Chip size	8.998mm (H) x 7.556mm (V)
Scanning system	Progressive Scan
Infrared cut filter	Auto / Schedule / Day (Color) / Night (Mono) / External control
Min. illumination	0.1 Lux at F1.2 (Low Light Mode)
White balance	Auto / Tungsten / Indoor / Fluorescents1 / Fluorescents2 / Outdoor1 / Outdoor2
Back light compensation	Off / On
Electronic shutter	1/30(1/25)s - 1/30000s
Sense up	Off / 1 Frame / 2 Frames
Sense up +	Yes
Auto gain control	36 dB Variable Gain
3D Noise Reduction	Off / 1 - 32 Selectable
2D WDR	Off / Auto / x2 / x3 / x4
Privacy masking	Off / On (4 zones)
Image effects	Brightness, Contrast, Hue, Saturation, Sharpness, Mirror, Flip
Live video output	CVBS 1.0Vp-p, 75 ohm, RCA connector
Audio in / output	Mono, 1.4 Vp-p , 50 K Ω , 3.5mm phone jack
Operating temperature	-25°C - +50°C (-13°F - 122°F)
Dimension	70mm(W) x 50mm(H) x 135mm(D)
Weight	420g
Power supply	DC12V \pm 10% / PoE (IEEE 802.3af compliant)
Power consumption	DC12V, 7.2W / PoE, 8W

Network	
Video compression	H.264 Main and High Profile , Motion JPEG
Resolution	4K(3840x2160), 1080P(1920x1080), 720P(1280x720), D1(720x480), CIF(352x240)
Frame rate	Single-stream mode, H.264 : up to 30 fps @ 3840 x 2160 (Video only support preview mode) Multi-stream mode, H.264 : up to 24fps @ 3840 x 2160, 30 fps @ 1920 x 1080, Motion JPEG : up to 30fps @ 1920 x 1080
Video streaming	RTP/HTTP, RTP/TCP, RTP/UDP, Multicast
Video bitrate	128Kbps - 20Mbps Frame rate and bit rate controllable on-the-fly VBR / CBR / GOP supported
Security	Base64 HTTP encryption Multiple user access levels with password protection 10 user accounts available
Users	8 simultaneous users
Eptz & digital zoom	Yes, ROI is supported
OSD	Text overlay for date, time, and camera name
Alarm functions	Alarm / motion / tampering / audio detection triggering recording into SD card Image upload over HTTP, FTP, and E-mail by tampering / audio / motion detection
CPU, memory	Embedded SoC, 1.2GHz Dual ARM Cortex-A9 & 600MHz ARM11, 1GB DDR3, 256MB flash memory
Maintenance	Firmware update via HTTP Firmware available at web site
Network interface	10/100/1000 Mbps Base-T, RJ-45
PC requirement	OS : Windows 2000, Windows XP, Windows Vista, Windows 7, Windows 8 Browser : Windows Internet Explorer 6.0 or above CPU : Intel Core 2 Duo E6400 2.13GHz or above RAM : 2GB or above, Independent Display Card
Network protocols	IPv4, IPv6, TCP, UDP, HTTP, SMTP, NTP, DDNS, UPnP, FTP, ARP, DHCP, PPPoE, DNS, RTSP, RTCP, Telnet, ICMP, IGMP, ONVIF Profile S, SNMP
Mobile phone	iPhone, iPad, and Android support
System integration	ONVIF & LILIN HTTP API
Central management system	CMX 3.6 / NAV 1.0 support
Video display	LILIN Universal ActiveX & LILIN Java Applet
OS	Embedded Linux 3.8.0
Two-way audio	G.711 / PCM
SD card recording	Support Micro SD/SDHC/SDXC card for circular recording (card is not included)
Alarm input / output	Digital 1 input (TTL, +3 - 5VDC) / 1 Output (MOS Relay contact N.O., Load max. 40VDC/300mA)
Control interface	RS-485 , Half-Duplex , support MLP2 , Pelco D/P protocols



The award-winning Ultra series IP camera, UFG1122, can record 1080P footage at 120 FPS, and is capable of seize every moment with the ability to capture all detail with crystal-clear resolution outputs. LILIN video surveillance pushes the limits with development of feasible 120 FPS camera able to produce superb image quality. Featuring High Dynamic Range (HDR) mode and IR-cut filter, is able to put images together into one shot that brings out details in both the shadows and the highlights.

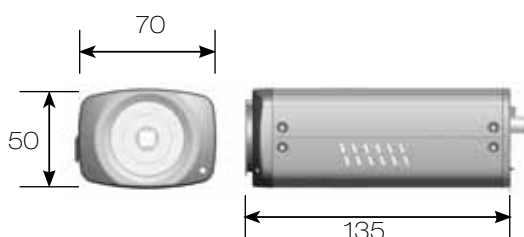
With real-time H.264 and Motion JPEG compression technology, extra smooth video quality with resolution up to 120 FPS frame rate at 1080P is secured. UFG1122 model supports 120 high frame rate that ensures quick movements are captured in more details. The 120 FPS frame rate allows the footage to be conformed to typical video playback speeds of 30 FPS for 4X slow motion with a definite smooth effect.

FEATURES :

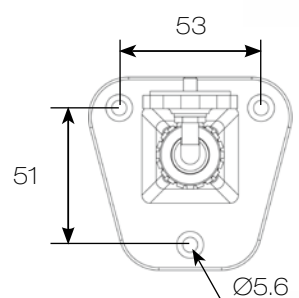
- Full HD 2.0 megapixel MOS image sensor
- 1080P120 True H.264 AVC High Profile video compression
- H.264 and Motion JPEG multi-profile video streaming
- 3D Noise Reduction (MCTF)
- HDR function up to 120dB
- Defog function
- Digital PTZ supported
- Tampering / Audio / Motion detection alarm function
- Day & Night (IR cut removable)
- 2-way audio supported
- Digital I/O : 1 in, 1 out
- ONVIF supported
- RS-485 supported

DIMENSIONS : (Unit : mm)

70mm x 50mm x 135mm (W x H x D)



INSTALLATION HOLE SITE DIAGRAM :



SPECIFICATION :

Name	Day & Night 1080P 120 HD IP camera
Model	UFG1122E
Pick up element	1/2.86" MOS image sensor
Effective pixels	1952 (H) x 1266 (V) = 2,471,232 (pixels)
Chip size	5.346mm (H) x 3.336mm (V)
Scanning system	Progressive Scan
Infrared cut filter	Auto / Schedule / Day (Color) / Night (Mono) / External control
Min. Illumination	0.05 Lux at F1.2 (Low Light Mode)
White balance	Auto / Tungsten / Indoor / Fluorescents1 / Fluorescents2 / Outdoor1 / Outdoor2
Back light compensation	Off / On
Electrical shutter	1/30(1/25)s - 1/30000s
Sense up	Off / 1 Frame / 2 Frames
Sense up +	Yes
Auto gain control	54 dB Variable Gain
3D Noise Reduction	Off / 1 - 32 Selectable
2D WDR	Off / Auto / x2 / x3 / x4 (by normal mode)
High Dynamic Range	Up to 120dB (by HDR mode, 3 shutter line interleave)
Privacy masking	Off / On (4 zones)
Image effects	Brightness, Contrast, Hue, Saturation, Sharpness, Mirror, Flip, Defog
Live video output	CVBS 1.0Vp-p, 75 ohm, RCA connector
Audio in / output	Mono, 1.4 Vp-p , 50 K Ω , 3.5mm phone jack
Operating temperature	-25°C - +50°C (-13°F - 122°F)
Dimension	70mm(W) x 50mm(H) x 135mm(D)
Weight	420g
Power supply	DC12V \pm 10% / PoE (IEEE 802.3af compliant)
Power consumption	DC12V, 7.2W / PoE, 8W

Network	
Video compression	H.264 Main and High Profile , Motion JPEG
Resolutions	1080P(1920x1080), 720P(1280x720), D1(720x480), CIF(352x240)
Frame rate	Single-stream mode, H.264 : up to 120 FPS @ 1920 x 1080 (Video only support preview mode) Multi-stream mode, H.264 : up to 60 FPS @ 1920 x 1080, Motion JPEG : up to 30 FPS @ 1920 x 1080 HDR mode, H.264 : up to 30 FPS @ 1920 x 1080 , Motion JPEG : up to 30 FPS @ 1920 x 1080
Video streaming protocol	RTP/HTTP, RTP/TCP, RTP/UDP, Multicast
Video bitrate	128Kbps - 20Mbps Frame rate and bit rate controllable on-the-fly VBR / CBR / GOP supported
Security	Base64 HTTP encryption Multiple user access levels with password protection 10 user accounts available
Users	8 simultaneous users
Eptz & digital zoom	Yes, ROI is supported
OSD	Text overlay for date, time, and camera name
Alarm function	Alarm / motion / tampering / audio detection triggering recording into SD card Image upload over HTTP, FTP, and E-mail by tampering / audio / motion detection
CPU, memory	Embedded SoC, 1.2GHz Dual ARM Cortex-A9 & 600MHz ARM11, 1GB DDR3, 256MB flash memory
Maintenance	Firmware update via HTTP Firmware available at web site
Network interface	10/100/1000 Mbps Base-T, RJ-45
Pc requirement	OS : Windows 2000, Windows XP, Windows Vista, Windows 7, Windows 8 Browser : Windows Internet Explorer 6.0 or above CPU : Intel Core 2 Duo E6400 2.13GHz or above RAM : 2GB or above, Independent Display Card
Network protocols	IPv4, IPv6, TCP, UDP, HTTP, SMTP, NTP, DDNS, UPnP, FTP, ARP, DHCP, PPPoE, DNS, RTSP, RTCP, Telnet, ICMP, IGMP, ONVIF Profile S, SNMP
Mobile phone and pda	iPhone, iPad, and Android support
System integration	ONVIF & LILIN HTTP API
Central management system	CMX 3.6 / NAV 1.0 support
Video display	LILIN Universal ActiveX & LILIN Java Applet
OS	Embedded Linux 3.8.0
Two-way audio	G.711 / PCM
SD card recording	Support Micro SD/SDHC/SDXC card for circular recording (card is not included)
Alarm input / output	Digital 1 input (TTL, +3 - 5VDC) / 1 Output (MOS Relay contact - N.O. , Load max. 40VDC/300mA)
Control interface	RS-485 , Half-Duplex , support MLP2 , Pelco D/P protocols



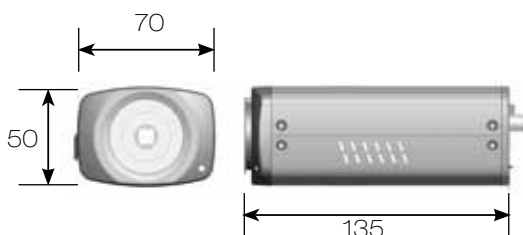
LILIN S Series cameras – SG1122 is best-in-class IP camera, designed for a variety indoor applications. From LILIN's powerful latest technology, the S Series cameras have an ultra fast frame rate of 60 FPS at 2 megapixel 1080P resolution, this results in crystal clear images. SG1122 camera is incorporated with a progressive scan MOS sensor with 0.05 lux at F1.2 low light mode capability, S Series cameras are able to capture fast moving objects during daytime and nighttime. The S Series cameras support high performance H.264 and Motion JPEG compression technology, and offers smooth video quality up to 60 FPS at 60 FPS at 1080P. Using 60 FPS at 2 megapixel 1080P resolution, can be particularly beneficial when viewing moving objects to ensure pictures are kept sharp.

FEATURES :

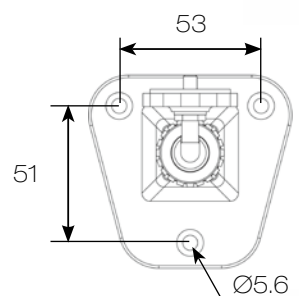
- Full HD 2.0 megapixel MOS image sensor
- 60 FPS @ 1080P True H.264 AVC High Profile video compression
- H.264 and Motion JPEG multi-profile video streaming
- 3D Noise Reduction (MCTF)
- HDR function up to 120dB
- Defog function
- Digital PTZ supported
- Tampering / Audio / Motion detection alarm function
- Day & Night (IR cut removable)
- 2-way audio supported
- Digital I/O : 1 in, 1 out
- ONVIF supported
- RS-485 supported

DIMENSIONS : (Unit : mm)

70mm x 50mm x 135mm (W x H x D)



INSTALLATION HOLE SITE DIAGRAM :



SPECIFICATION :

Name	Day & Night 1080P 60 FPS HD IP Camera
Model	SG1122E
Pick Up Element	1/2.86" MOS image sensor
Effective Pixels	1952 (H) x 1266 (V) = 2,471,232 (pixels)
Chip Size	5.346mm (H) x 3.336mm (V)
Scanning System	Progressive Scan
Infrared Cut Filter	Auto / Schedule / Day (Color) / Night (Mono) / External control
Min. Illumination	0.05 Lux at F1.2 (Low Light Mode)
White balance	Auto / Tungsten / Indoor / Fluorescents1 / Fluorescents2 / Outdoor1 / Outdoor2
Back light compensation	Off / On
Electronic Shutter	1/30(1/25)s - 1/30000s
Sense up	Off / 1 Frame / 2 Frames
Sense up +	Yes
Auto gain control	54 dB Variable Gain
3D Noise Reduction	Off / 1 - 32 Selectable
2D WDR	Off / Auto / x2 / x3 / x4 (by normal mode)
High Dynamic Range	Up to 120dB (by HDR mode, 2 shutter line interleave)
Privacy Masking	Off / On (4 zones)
Image Effects	Brightness, Contrast, Hue, Saturation, Sharpness, Mirror, Flip, Defog
Live Video Output	CVBS 1.0Vp-p, 75 ohm, RCA connector
Audio In / Output	Mono, 1.4 Vp-p , 50 K Ω , 3.5mm phone jack
Operating Temperature	-25°C - +50°C (-13°F - 122°F)
Dimension	70mm(W) x 50mm(H) x 135mm(D)
Weight	420g
Power Supply	DC12V \pm 10% / PoE (IEEE 802.3af compliant)
Power Consumption	DC12V, 7.2W / PoE, 8W

Network	
Video compression	H.264 Main and High Profile , Motion JPEG
Resolutions	1080P(1920x1080), 720P(1280x720), D1(720x480), CIF(352x240)
Frame Rate	Dual-stream mode, H.264 : up to 60 FPS @ 1920 x 1080, Motion JPEG : up to 30 FPS @ 720 x 480 HDR mode, H.264 : up to 30 FPS @ 1920 x 1080 , Motion JPEG : up to 30 FPS @ 720 x 480
Video streaming protocol	RTP/HTTP, RTP/TCP, RTP/UDP, Multicast
Video bitrate	128Kbps - 12Mbps Frame rate and bit rate controllable on-the-fly VBR / CBR / GOP supported
Security	Base64 HTTP encryption Multiple user access levels with password protection 10 user accounts available
Users	8 simultaneous users
ePTZ & Digital zoom	Yes, ROI is supported
OSD	Text overlay for date, time, and camera name
Alarm function	Alarm / motion / tampering / audio detection triggering recording into SD card Image upload over HTTP, FTP, and E-mail by tampering / audio / motion detection
CPU, memory	Embedded SoC, 1.2GHz Dual ARM Cortex-A9 & 600MHz ARM11, 1GB DDR3, 256MB flash memory
Maintenance	Firmware update via HTTP Firmware available at web site
Network Interface	10/100/1000 Mbps Base-T, RJ-45
PC requirement	OS : Windows 2000, Windows XP, Windows Vista, Windows 7, Windows 8 Browser : Windows Internet Explorer 6.0 or above CPU : Intel Core 2 Duo E6400 2.13GHz or above RAM : 2GB or above, Independent Display Card
Network protocols	IPv4, IPv6, TCP, UDP, HTTP, SMTP, NTP, DDNS, UPnP, FTP, ARP, DHCP, PPPoE, DNS, RTSP, RTCP, Telnet, ICMP, IGMP, ONVIF Profile S, SNMP, SIP
Mobile phone and PDA	iPhone, iPad, and Android support
System Integration	ONVIF & LILIN HTTP API
Central management system	CMX 3.6 / NAV 1.0 support
Video display	LILIN Universal ActiveX & LILIN Java Applet
OS	Embedded Linux 3.8.0
Two-way audio	G.711 / PCM
SD card recording	Support Micro SD/SDHC/SDXC card for circular recording (card is not included)
Alarm input / output	Digital 1 input (TTL, +3 - 5VDC) / 1 Output (MOS Relay contact - N.O. , Load max. 40VDC/300mA)
Control Interface	RS-485 , Half-Duplex , support MLP2 , Pelco D/P protocols



SR7424X / SR7428X

DAY & NIGHT 1080P 60 FPS HD VARI-FOCAL IR IP CAMERA



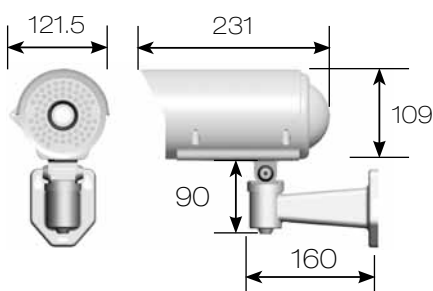
LILIN S Series cameras – SR7424X and SR7428X are best-in-class IP cameras, designed for a variety of outdoor and indoor applications. From LILIN's powerful latest technology, the S Series cameras have an ultra fast frame rate of 60 FPS at 2 megapixel 1080P resolution, this results in crystal clear images. Its IP66-rated housing protects the SR7424X/ SR7428X camera body against dust and rain. IP66 rating ensures operation under harsh weather conditions. Cameras are incorporated with a progressive scan MOS sensor with 0.1 lux at F1.4 low light mode capability, S Series camera – SR7424X and SR7428X are able to capture fast moving objects during daytime and nighttime. The S Series cameras support high performance H.264 and Motion JPEG compression technology, and offers smooth video quality up to 60 FPS at 1080P. Using 60 FPS at 2 megapixel 1080P resolution, can be particularly beneficial when viewing moving objects to ensure pictures are kept sharp.

FEATURES :

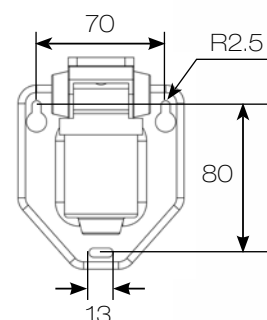
- Full HD 2.0 megapixel MOS image sensor
- 60 FPS @ 1080P True H.264 AVC High Profile video compression
- H.264 and Motion JPEG multi-profile video streaming
- 3D Noise Reduction (MCTF) / HDR function up to 120dB
- Defog function
- Digital PTZ supported
- Tampering / Audio / Motion detection alarm function
- Cable managed housing and bracket
- High efficiency IR LED, radiant distance up to 45m
- Day & Night (IR cut removable)
- 2-way audio supported
- Digital I/O : 1 in, 1 out
- ONVIF supported

DIMENSIONS : (Unit : mm)

Body : 121.5 x 109 x 231 (W x H x D) Bracket : 160(L)



INSTALLATION HOLE SITE DIAGRAM :



SPECIFICATION :

Name		Day & Night 1080P 60 FPS HD Vari-Focal IR IP Camera	
Model		SR7424EX3.6	SR7428EX3.6
Lens	Focal length	3.3 – 12 mm	
	Iris	F1.4	
	Angle of view	H	79.3° – 29.8°
		V	59.4° – 22.4°
D		99° – 37.3°	
Pick Up Element	1/2.86" MOS image sensor		
Effective Pixels	1952 (H) x 1266 (V) = 2,471,232 (pixels)		
Chip Size	5.346mm (H) x 3.336mm (V)		
Scanning System	Progressive Scan		
Infrared Cut Filter	Auto / Schedule / Day (Color) / Night (Mono)		
Min. Illumination	0.1 Lux at F1.4 (Low Light Mode) / 0 Lux with IR LED ON		
White balance	Auto / Tungsten / Indoor / Fluorescents1 / Fluorescents2 / Outdoor1 / Outdoor2		
Back light compensation	Off / On		
Electrical Shutter	1/30(1/25)s – 1/30000s		
Sense up	Off / 1 Frame / 2 Frames		
Sense up +	Yes		
Auto gain control	54 dB Variable Gain		
3D Noise Reduction	Off / 1 – 32 Selectable		
2D WDR	Off / Auto / x2 / x3 / x4 (by normal mode)		
High Dynamic Range	Up to 120dB (by HDR mode, 2 shutter line interleave)		
Privacy Masking	Off / On (4 zones)		
Image Effects	Brightness, Contrast, Hue, Saturation, Sharpness, Mirror, Flip, Defog		
Live Video Output	CVBS 1.0Vp-p, 75 ohm, BNC connector		
Audio In / Output	Mono, 1.4 Vp-p , 50 KΩ , Terminal connector		
IP Rating	IP66		
Window	Ø92 Heat Resistant Glass		
Infrared LED	Peak wavelength	850nm	
	Beam spread	30°	
	Radiant distance	45M	
Operating Temperature	-40°C – +50°C (-40°F – 122°F)		
Dimension	Body : 121.5mm(W) x 109mm(H) x 231mm(D) , Bracket : 160mm(L)		
Weight	1700g		
Power Supply	AC24V (±10%)	AC100 – 240V (±10%)	
	PoE+ (IEEE 802.3at compliant)		
Power Consumption	15W (PoE+, 16.5W)		

Network	
Video compression	H.264 Main and High Profile , Motion JPEG
Resolution	1080P(1920x1080), 720P(1280x720), D1(720x480), CIF(352x240)
Frame Rate	Dual-stream mode, H.264 : up to 60 FPS @ 1920 x 1080, Motion JPEG : up to 30 FPS @ 720 x 480 HDR mode, H.264 : up to 30 FPS @ 1920 x 1080 , Motion JPEG : up to 30 FPS @ 720 x 480
Video Streaming	RTP/HTTP, RTP/TCP, RTP/UDP, Multicast
Video bitrate	128Kbps – 12Mbps
	Frame rate and bit rate controllable on-the-fly
	VBR / CBR / GOP supported
Security	Base64 HTTP encryption
	Multiple user access levels with password protection
	10 user accounts available
Users	8 simultaneous users
ePTZ & Digital zoom	Yes, ROI is supported
OSD	Text overlay for date, time, and camera name
Alarm function	Alarm / motion / tampering / audio detection triggering recording into SD card Image upload over FTP and E-mail by tampering / audio / motion detection
CPU, memory	Embedded SoC, 1.2GHz Dual ARM Cortex-A9 & 600MHz ARM11, 1GB DDR3, 256MB flash memory
Maintenance	Firmware update via HTTP
	Firmware available at web site
Network Interface	10/100/1000 Mbps Base-T, RJ-45
PC requirement	OS : Windows 2000, Windows XP, Windows Vista, Windows 7, Windows 8
	Browser : Windows Internet Explorer 6.0 or above
	CPU : Intel Core 2 Duo E6400 2.13GHz or above
	RAM : 2GB or above, Independent Display Card
Network protocols	IPv4, IPv6, TCP, UDP, HTTP, SMTP, NTP, DDNS, UPnP, FTP, ARP, DHCP, PPPoE, DNS, RTSP, RTCP, Telnet, ICMP, IGMP, ONVIF Profile S, SNMP, SIP
Mobile phone and PDA	iPhone, iPad, and Android support
System Integration	ONVIF & LILIN HTTP API
Central management system	CMX 3.6 / NAV 1.0 support
Video display	LILIN Universal ActiveX & LILIN Java Applet
OS	Embedded Linux 3.8.0
Two-way audio	G.711 / PCM
SD card recording	Support Micro SD/SDHC/SDXC card for circular recording (card is not included)
Alarm input / output	Digital 1 input (TTL, +3 – 5VDC) / 1 Output (MOS Relay contact N.O., Load max. 40VDC/300mA)





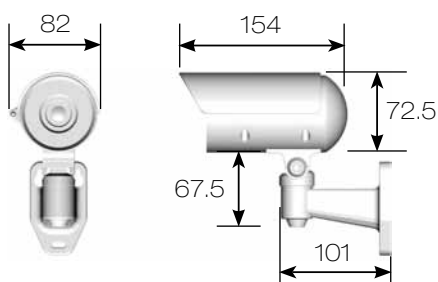
LILIN S Series cameras – SR7022 is best-in-class IP camera, designed for a variety of outdoor and indoor applications. From LILIN's powerful latest technology, the S Series cameras have an ultra fast frame rate of 60 FPS at 2 megapixel 1080P resolution, this results in crystal clear images. Its IP66-rated housing protects the SR7022 camera body against dust and rain. IP66 rating ensures operation under harsh weather conditions. Cameras are incorporated with a progressive scan MOS sensor with 0.15 lux at F1.6 low light mode capability, S Series camera – SR7022 is able to capture fast moving objects during daytime and nighttime. The S Series cameras support high performance H.264 and Motion JPEG compression technology, and offers smooth video quality up to 60 FPS at 60 FPS at 1080P. Using 60 FPS at 2 megapixel 1080P resolution, can be particularly beneficial when viewing moving objects to ensure pictures are kept sharp.

FEATURES :

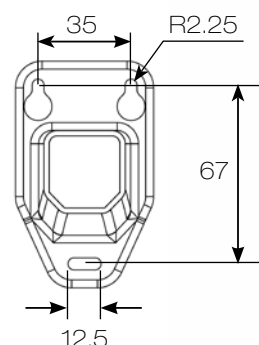
- Full HD 2.0 megapixel MOS image sensor
- 60 FPS @ 1080P True H.264 AVC High Profile video compression
- H.264 and Motion JPEG multi-profile video streaming
- 3D Noise Reduction (MCTF)
- HDR function up to 120dB
- Defog function
- Digital PTZ supported
- Tampering / Motion detection alarm function
- High efficiency IR LED, radiant distance up to 30m
- Day & Night (IR cut removable)
- ONVIF supported

DIMENSIONS : (Unit : mm)

Body : 82(W) x 72.5(H) x 154(D) Bracket: 101(L)



INSTALLATION HOLE SITE DIAGRAM :



SPECIFICATION :

Name		Day & Night 1080P 60 FPS HD IR IP Camera		
Model		SR7022E4	SR7022E6	
Lens	Focal length	4 mm	6 mm	
	Iris	F1.6	F1.8	
	Angle of view	H	84°	57.6°
		V	45.2°	31.4°
D		100.6°	67.3°	
Pick Up Element	1/2.86" MOS image sensor			
Effective Pixels	1952 (H) x 1266 (V) = 2,471,232 (pixels)			
Chip Size	5.346mm (H) x 3.336mm (V)			
Scanning System	Progressive Scan			
Infrared Cut Filter	Auto / Schedule / Day (Color) / Night (Mono)			
Min. Illumination	0.15 Lux at F1.6 (Low Light Mode) 0 Lux with IR LED ON	0.18 Lux at F1.8 (Low Light Mode) 0 Lux with IR LED ON		
White balance	Auto / Tungsten / Indoor / Fluorescents1 / Fluorescents2 / Outdoor1 / Outdoor2			
Back light compensation	Off / On			
Electrical Shutter	1/30(1/25)s - 1/30000s			
Sense up	Off / 1 Frame / 2 Frames			
Sense up +	Yes			
Auto gain control	54 dB Variable Gain			
3D Noise Reduction	Off / 1 - 32 Selectable			
2D WDR	Off / Auto / x2 / x3 / x4 (by normal mode)			
High Dynamic Range	Up to 120dB (by HDR mode, 2 shutter line interleave)			
Privacy Masking	Off / On (4 zones)			
Image Effects	Brightness, Contrast, Hue, Saturation, Sharpness, Mirror, Flip, Defog			
IP Rating	IP66			
Window	Ø65 Heat Resistant Glass			
Infrared LED	Peak wavelength	850nm		
	Beam spread	30°		
	Radiant distance	30M		
Operating Temperature	-40°C - +50°C (-40°F - 122°F)			
Dimension	Body : 82mm(W) x 72.5mm(H) x 154mm(D) / Bracket : 101mm(L)			
Weight	600g			
Power Supply	DC12V ±10% / PoE (IEEE 802.3af compliant)			
Power Consumption	DC12V, 10W / PoE, 11W			

Network		
Video compression	H.264 Main and High Profile , Motion JPEG	
Resolution	1080P(1920x1080), 720P(1280x720), D1(720x480), CIF(352x240)	
Multiple profile	Profile #1	Dual-stream mode, H.264 : up to 60 FPS @ 1920 x 1080, Motion JPEG : up to 30 FPS @ 720 x 480
	Profile #2	HDR mode, H.264 : up to 30 FPS @ 1920 x 1080 , Motion JPEG : up to 30 FPS @ 720 x 480
Video streaming	RTP/HTTP, RTP/TCP, RTP/UDP, Multicast	
Video bitrate	128Kbps - 12Mbps	
	Frame rate and bit rate controllable on-the-fly	
	VBR / CBR / GOP supported	
Security	Base64 HTTP encryption	
	Multiple user access levels with password protection	
	10 user accounts available	
Users	8 simultaneous users	
ePTZ & digital zoom	Yes, ROI is supported	
OSD	Text overlay for date, time, and camera name	
Alarm functions	Motion / tampering detection triggering recording into SD card	
	Image upload over FTP and E-mail by tampering / motion detection	
CPU, memory	Embedded SoC, 1.2GHz Dual ARM Cortex-A9 & 600MHz ARM11, 1GB DDR3,256MB flash memory	
Maintenance	Firmware update via HTTP	
	Firmware available at web site	
Network interface	10/100/1000 Mbps Base-T, RJ-45	
PC requirement	OS : Windows 2000, Windows XP, Windows Vista, Windows 7, Windows 8	
	Browser : Windows Internet Explorer 6.0 or above	
	CPU : Intel Core 2 Duo E6400 2.13GHz or above	
	RAM : 2GB or above, Independent Display Card	
Network protocols	IPv4, IPv6, TCP, UDP, HTTP, SMTP, NTP, DDNS, UPnP, FTP, ARP, DHCP, PPPoE, DNS, RTSP, RTCP, Telnet, ICMP, IGMP, ONVIF Profile S, SNMP, SIP	
Mobile phone and PDA	iPhone, iPad, and Android support	
System Integration	ONVIF & LILIN HTTP API	
Central management system	CMX 3.6 / NAV 1.0 support	
Video display	LILIN Universal ActiveX & LILIN Java Applet	
OS	Embedded Linux 3.8.0	
SD card recording	Support Micro SD/SDHC/SDXC card for circular recording (card is not included)	





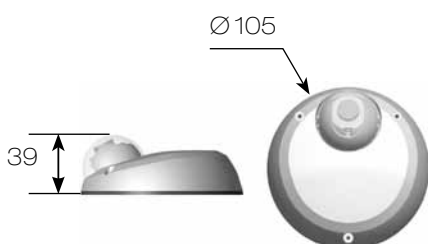
LILIN S Series cameras – SD2222 is best-in-class IP camera, designed for a variety of outdoor and indoor applications. From LILIN's powerful latest technology, the S Series cameras have an ultra fast frame rate of 60 FPS at 2 megapixel 1080P resolution, this results in crystal clear images. SD2222 camera is incorporated with a progressive scan MOS sensor with 0.6 lux at F1.6 capability, S Series cameras are able to capture fast moving objects during daytime. The S Series cameras support high performance H.264 and Motion JPEG compression technology, and offers smooth video quality up to 60 FPS at 1080P. Using 60 FPS at 2 megapixel 1080P resolution, can be particularly beneficial when viewing moving objects to ensure pictures are kept sharp.

FEATURES :

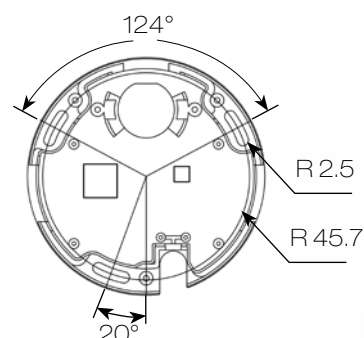
- Full HD 2.0 megapixel MOS image sensor
- 60 FPS @ 1080P True H.264 AVC High Profile video compression
- H.264 and Motion JPEG multi-profile video streaming
- 3D Noise Reduction (MCTF)
- HDR function up to 120dB
- Defog function
- Digital PTZ supported
- Tampering / Audio / Motion detection alarm function
- Built-in highly sensitive microphone
- One-way audio supported
- ONVIF supported

DIMENSIONS : (Unit : mm)

Ø105 x 39



INSTALLATION HOLE SITE DIAGRAM :



SPECIFICATION :

Name		1080P 60 FPS HD Dome IP Camera	
Model		SD2222E2	SD2222E4
Lens	Focal Length		2.8 mm
	Iris		F1.8
	Angle of View	H	105°
		V	87°
D		135°	
Pick Up Element		1/2.86" MOS image sensor	
Effective Pixels		1952 (H) x 1266 (V) = 2,471,232 (pixels)	
Chip Size		5.346mm (H) x 3.336mm (V)	
Scanning System		Progressive Scan	
Min. Illumination		0.8 Lux at F1.8	0.6 Lux at F1.6
White balance		Auto / Tungsten / Indoor / Fluorescents1 / Fluorescents2 / Outdoor1 / Outdoor2	
Back light compensation		Off / On	
Electrical Shutter		1/30(1/25)s - 1/30000s	
Sense up		Off / 1 Frame / 2 Frames	
Sense up +		Yes	
Auto gain control		54 dB Variable Gain	
3D Noise Reduction		Off / 1 - 32 Selectable	
2D WDR		Off / Auto / x2 / x3 / x4 (by normal mode)	
High Dynamic Range		Up to 120dB (by HDR mode, 2 shutter line interleave)	
Privacy Masking		Off / On (4 zones)	
Image Effects		Brightness, Contrast, Hue, Saturation, Sharpness, Mirror, Flip, Defog	
Operating Temperature		-25°C - +50°C (-13°F - 122°F)	
Dimension		Ø105 x 39mm	
Weight		310g	
Power Supply		DC12V ±10% / PoE (IEEE 802.3af compliant)	
Power Consumption		DC12V, 6W / PoE, 6.8W	

Network	
Video compression	
Resolution	
Multiple profile	Profile #1
	Profile #2
Video Streaming	
Video bitrate	
Security	
Users	
ePTZ & Digital zoom	
OSD	
Alarm function	
CPU, memory	
Maintenance	
Network Interface	
PC requirement	
Network protocols	
Mobile phone and PDA	
System Integration	
Central management system	
Video display	
OS	
One-way Audio	
SD card recording	



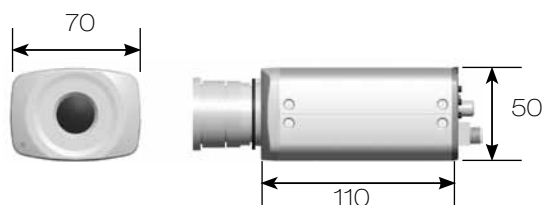
As with all Pro series cameras, the IPG1052 incorporates Sense up+, a unique technology that successfully delivers stunning video in low-light conditions. Utilizing intelligent image signal processing, AGC control, and 3D Noise Reduction, this model successfully delivers the ultimate low-light image without motion blur. Measuring less than 125mm in length, this latest addition to the range provides an internal solution suited to multiple applications.

FEATURES :

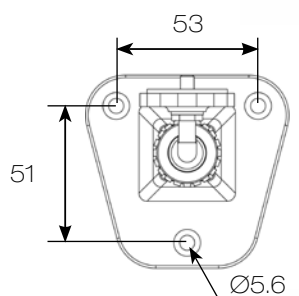
- Full HD 5.0 megapixel CMOS image sensor
- True H.264 AVC/MPEG-4 part 10 real-time Video compression
- H.264 and Motion JPEG multi-profile Video streaming
- 3D Noise Reduction (MCTF) / 2D WDR function
- Digital PTZ supported
- Face / tampering / audio / motion / alarm detection
- Day & Night (IR cut removable)
- 2-way audio supported
- Built-in highly sensitive microphone
- Digital I/O : 1 in, 1 out
- ONVIF supported
- RS-485 supported

DIMENSIONS : (Unit : mm)

70 x 50 x 110 (W x H x D)



INSTALLATION HOLE SITE DIAGRAM :



SPECIFICATION :

Name	Day & Night 5MP HD IP Camera
Model	IPG1052ES
Pick up element	1/2.5" CMOS image sensor
Effective pixels	2592 (H) x 1944 (V) = 5,038,848 (pixel)
Chip size	5.70mm (H) x 4.28mm (V)
Scanning system	Progressive scan
Infrared cut filter	Auto / schedule / day (color) / night (mono) / external control
Min. illumination	0.2 Lux at F1.2 (Low light mode)
White balance	Auto / tungsten / indoor / fluorescents1 / fluorescents2 / outdoor1 / outdoor2
Back light compensation	Off / on
Electronic shutter	1/30S - 1/8000s
Sense up	Off / 1 frame / 2 frames / 3 frames / 7 frames
Sense up +	Yes
Auto gain control	36 dB variable gain
3D Noise Reduction	Off / 1 - 32 selectable
2D WDR	Off / auto / x2 / x3 / x4
Privacy masking	Off / on (4 zones)
Image effects	Brightness, contrast, hue, saturation, sharpness, mirror, flip
Live Video output	CVBS 1.0Vp-p, 75 ohm, RCA connector
Audio in / output	Mono, 1.4 Vp-p , 50 kΩ , 3.5mm phone jack
Operating temperature	-25°C - +50°C (-13°F - 122°F)
Dimension	70mm(W) x 50mm(H) x 110mm(D)
Weight	380g
Power supply	DC12V ±10% / PoE (IEEE 802.3af compliant)
Power consumption	DC12V, 6W/ PoE, 7.5W

Network		
Video compression	H.264 , Motion JPEG	
Resolution	5MP(2592x1944), 3MP(2048x1536), 1080P(1920x1080), 720P(1280x720), D1(720x480), CIF(352x240)	
Multiple profile	Profile #1	H.264 : up to 30 FPS @ 1920 x 1080, MJPEG : up to 30 FPS @ 720 x 480
	Profile #2	H.264 : up to 30 FPS @ 1280 x 720, MJPEG : up to 30 FPS @ 352 x 240
	Profile #3	H.264 : up to 30 FPS @ 1920 x 1080, MJPEG : up to 30 FPS @ 1280 x 720
	Profile #4	H.264 : up to 30 FPS @ 720 x 480, MJPEG : up to 15 FPS @ 1920 x 1080
	Profile #5	H.264 : up to 15 fps @ 2048 x 1536 , MJPEG : up to 15 fps @ 720 x 480
	Profile #6	H.264 : up to 12 FPS @ 2592 x 1944, MJPEG : up to 12 FPS @ 720 x 480
Video streaming	RTP/HTTP, RTP/TCP, RTP/UDP, Multicast	
Video bitrate	128Kbps - 10Mbps	
	Frame rate and bit rate controllable on-the-fly VBR / CBR / GOP supported	
Security	Base64 HTTP encryption	
	Multiple user access levels with password protection 10 user accounts available	
Users	8 simultaneous users	
ePTZ & digital zoom	Yes, ROI is supported	
OSD	Text overlay for date, time, and camera name	
Alarm function	Alarm / motion / tampering / face detection triggering recording into SD card	
	Image upload over FTP and E-mail by face / tampering / audio / motion / alarm detection	
CPU, memory	Embedded SoC ARM11, 528MHz, 256MB DDR2, 256MB flash memory	
Maintenance	Firmware update via HTTP	
	Firmware available at web site	
Network interface	10Mbps / 100Mbps Base-T, RJ-45	
PC requirement	OS : Windows 2000, Windows XP, Windows Vista, Windows 7, Windows 8	
	Browser : Windows Internet Explorer 6.0 or above	
	CPU : intel pentium 4 1.8GHz or above	
	RAM : 1GB or above, independent display card	
Network protocols	IP, TCP, UDP, HTTP, SMTP, NTP, DDNS, UPnP, FTP, ARP, DHCP, PPPoE, DNS, RTSP, RTCP, Telnet, ICMP, IGMP, ONVIF Profile S, SNMP, SIP, Bonjour	
Mobile phone	iPhone, iPad, and Android support	
System integration	ONVIF & LILIN HTTP API	
Central management system	CMX 3.6 / NAV 1.0 support	
Video display	LILIN Universal ActiveX & LILIN Java Applet	
OS	Embedded Linux 2.6.32	
Two-way audio	G.711 / PCM	
SD card recording	Support Micro SD/SDHC card for circular recording (card is not included)	
Alarm input / output	Digital 1 input (TTL, +3 - 5VDC) / 1 Output (MOS Relay contact N.O., Load max. 40VDC/300mA)	
Control interface	RS-485 , Half-Duplex , support MLP2 , Pelco D/P protocols	



IPR7334X / IPR7338X

DAY & NIGHT 3MP HD VARI-FOCAL IR IP CAMERA



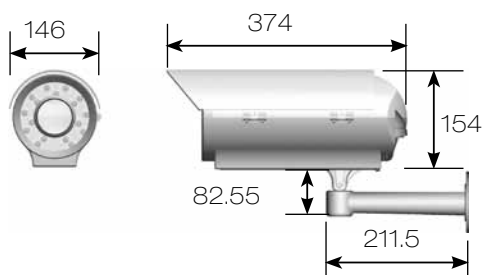
As with all Pro series cameras, the IPR7334X/IPR7338X incorporates Sense up+, a unique technology that successfully delivers stunning video in low-light conditions. Utilizing intelligent image signal processing, AGC control, and 3D Noise Reduction, this model successfully delivers the ultimate low-light image without motion blur. The IPR7334X/IPR7338X is capable of producing four independent video streams, different streams can be set for different applications, depending on the individual user requirements. The IP66-rated housing is designed to help the camera body withstand rain and dust and ensures operation under a multitude of harsh weather conditions.

FEATURES :

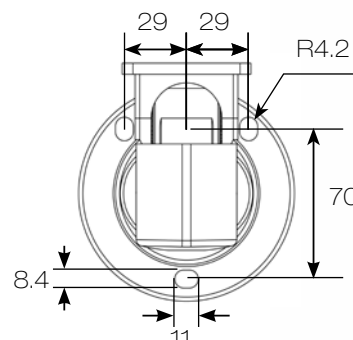
- Full HD 3.27 megapixel CMOS image sensor
- True H.264 AVC/MPEG-4 part 10 real-time Video compression
- H.264 and Motion JPEG multi-profile Video streaming
- 3D Noise Reduction (MCTF)
- 2D WDR function
- Digital PTZ supported
- Face / tampering / audio / motion / alarm detection
- Cable managed housing and bracket
- High efficiency IR LED, Radiant distance up to 70m
- Day & Night (IR cut removable)
- 2-way audio supported
- Digital I/O : 1 in, 1 out
- ONVIF supported

DIMENSIONS : (Unit : mm)

Body : 146 x 154 x 374 (W x H x D) Bracket : 211.5 (L)



INSTALLATION HOLE SITE DIAGRAM :



SPECIFICATION :

Name		Day & Night 3MP HD Vari-focal IR IP Camera		
Model		IPR7334SX5	IPR7338SX5	
Lens	Focal length	5 - 50 mm		
	Iris	F1.6		
	Angle of view	H	58.8° - 6.5°	
		V	33.9° - 3.7°	
D		66.9° - 7.4°		
Pick up element		1/2.8" CMOS image sensor		
Effective pixels		2096 (H) x 1561 (V) = 3,271,856 (pixel)		
Chip size		7.96mm (H) x 7.61mm (V)		
Scanning system		Progressive scan		
Infrared cut filter		Auto / schedule / day (color) / night (mono)		
Min. illumination		0.3 Lux at F1.6 (Low light mode) / 0 Lux with IR LED on		
White balance		Auto / tungsten / indoor / fluorescents1 / fluorescents2 / outdoor1 / outdoor2		
Back light compensation		Off / on		
Electrical shutter		1/30s - 1/8000s		
Sense up		Off / 1 frame / 2 frames / 3 frames / 7 frames		
Sense up +		Yes		
Auto gain control		36 dB variable gain		
3D Noise Reduction		Off / 1 - 32 selectable		
2D WDR		Off / auto / x2 / x3 / x4		
Privacy masking		Off / on (4 zones)		
Image effects		Brightness, Contrast, Hue, Saturation, Sharpness, Mirror, Flip		
Live Video output		CVBS 1.0Vp-p, 75 ohm, BNC connector		
Audio in / output		Mono, 1.4 Vp-p , 50 K Ω , Terminal connector		
IP rating		IP66		
Blower control		On : 35°C , Off : 25°C		
Heater control		On : 15°C , Off : 25°C		
Window		Ø110 heat resistant glass		
Infrared LED	Peak wavelength	850nm		
	Beam spread	6°		
	Radiant distance	70M		
Operating temperature		-40°C - +50°C (-40°F - 122°F)		
Dimension		Body : 146mm(W) x 154mm(H) x 374mm(D), Bracket : 211.5mm(L)		
Weight		3800g		
Power supply		AC24V (\pm 10%)	AC100 - 240V (\pm 10%)	
Power consumption		33W(Heater Off) / 40W(Heater On)		

Network		
Video compression	H.264 , Motion JPEG	
Resolution	3MP(2048 x 1536), 1080P(1920 x 1080), 720P(1280 x 720), D1(720 x 480), CIF(352 x 240)	
Multiple profile	Profile #1	H.264 : up to 30 FPS @ 1920 x 1080, MJPEG : up to 30 FPS @ 720 x 480
	Profile #2	H.264 : up to 30 FPS @ 1280 x 720, MJPEG : up to 30 FPS @ 352 x 240
	Profile #3	H.264 : up to 30 FPS @ 1920 x 1080, MJPEG : up to 30 FPS @ 1280 x 720
	Profile #4	H.264 : up to 30 FPS @ 720 x 480, MJPEG : up to 15 FPS @ 1920 x 1080
	Profile #5	H.264 : up to 15 FPS @ 2048 x 1536, MJPEG : up to 15 FPS @ 720 x 480
Video streaming	RTP/HTTP, RTP/TCP, RTP/UDP, Multicast	
Video bitrate	128Kbps - 5Mbps	
	Frame rate and bit rate controllable on-the-fly VBR / CBR / GOP supported	
Security	Base64 HTTP encryption	
	Multiple user access levels with password protection 10 user accounts available	
Users	8 simultaneous users	
ePTZ & digital zoom	Yes, ROI is supported	
OSD	Text overlay for date, time, and camera name	
Alarm function	Alarm / motion / tampering / face / alarm detection triggering recording into SD card Image upload over FTP and E-mail by face / tampering / audio / motion detection	
CPU, memory	Embedded SoC ARM11, 528MHz, 256MB DDR2, 256MB flash memory	
Maintenance	Firmware update via HTTP	
	Firmware available at web site	
Network interface	10Mbps / 100Mbps Base-T, RJ-45	
PC requirement	OS : Windows 2000, Windows XP, Windows Vista, Windows 7, Windows 8	
	Browser : Windows Internet Explorer 6.0 or above	
	CPU : intel pentium 4 1.8GHz or above RAM : 1GB or above, independent display card	
Network protocols	IP, TCP, UDP, HTTP, SMTP, NTP, DDNS, UPnP, FTP, ARP, DHCP, PPPoE, DNS, RTSP, RTCP, Telnet, ICMP, IGMP, ONVIF Profile S, SNMP, SIP, Bonjour	
Mobile phone	iPhone, iPad, and Android support	
System integration	ONVIF & LILIN HTTP API	
Central management system	CMX 3.6 / NAV 1.0 support	
Video display	LILIN Universal ActiveX & LILIN Java Applet	
OS	Embedded Linux 2.6.32	
Two-way audio	G.711 / PCM	
SD card recording	Support SD/SDHC card for circular recording (card is not included)	
Alarm input / output	Digital 1 input (TTL, +3 - 5VDC) / 1 Output (MOS Relay contact N.O., Load max. 40VDC/300mA)	





IPR434X / IPR438X

DAY & NIGHT 3MP HD VARI-FOCAL IR IP CAMERA



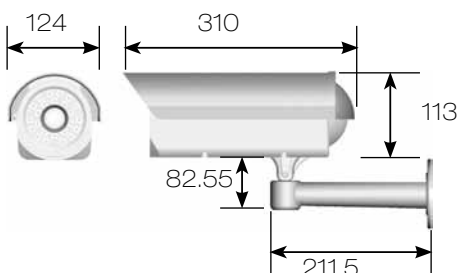
As with all Pro series cameras, the 3MP HD Vari-Focal IR IP Camera IPR434X/IPR438X incorporates Sense up+, a unique technology that successfully delivers stunning video in low-light conditions. Utilizing intelligent image signal processing, AGC control, and 3D Noise Reduction, this model successfully delivers the ultimate low-light image without motion blur. The IPR434X/IPR438X is capable of producing four independent video streams, different streams can be set for different applications, depending on the individual user requirements. The IP66-rated housing is designed to help the camera body withstand rain and dust and ensures operation under a multitude of harsh weather conditions.

FEATURES :

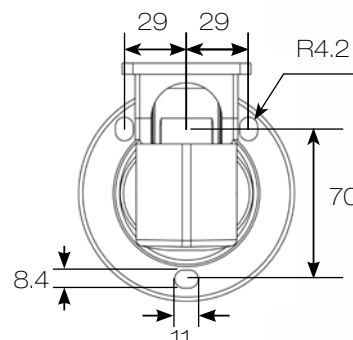
- Full HD 3.27 megapixel CMOS image sensor
- True H.264 AVC/MPEG-4 part 10 real-time Video compression
- H.264 and Motion JPEG multi-profile Video streaming
- 3D Noise Reduction (MCTF)
- 2D WDR function
- Digital PTZ supported
- Face / tampering / audio / motion / alarm detection
- Cable managed housing and bracket
- High efficiency IR LED, Radiant distance up to 70m
- Day & Night (IR cut removable)
- 2-way audio supported
- Digital I/O : 1 in, 1 out
- ONVIF supported

DIMENSIONS : (Unit : mm)

Body : 124 x 113 x 310(W x H x D) Bracket : 211.5(L)



INSTALLATION HOLE SITE DIAGRAM :



SPECIFICATION :

Name		Day & Night 3MP HD Vari-focal IR IP Camera			
Model		IPR434ESX3.6	IPR438ESX3.6	IPR434ESX2.4	IPR438ESX2.4
Lens	Focal length		3.3 – 12 mm		9 – 22 mm
	Iris		F1.4		F1.4
	Angle of view	H	79.3° – 29.8°		29.5° – 12.4°
		V	59.4° – 22.4°		22° – 9.3°
D		99° – 37.3°		36.9° – 15.5°	
Pick up element		1/2.8" CMOS image sensor			
Effective pixels		2096 (H) x 1561 (V) = 3,271,856 (pixel)			
Chip size		7.96mm (H) x 7.61mm (V)			
Scanning system		Progressive scan			
Infrared cut filter		Auto / schedule / day (color) / night (mono)			
Min. illumination		0.15 Lux at F1.4 (Low light mode) / 0 Lux with IR LED on			
White balance		Auto / tungsten / indoor / fluorescents1 / fluorescents2 / outdoor1 / outdoor2			
Back light compensation		Off / on			
Electrical shutter		1/30s - 1/8000s			
Sense up		Off / 1 frame / 2 frames / 3 frames / 7 frames			
Sense up +		Yes			
Auto gain control		36 dB variable gain			
3D Noise Reduction		Off / 1 - 32 selectable			
2D WDR		Off / auto / x2 / x3 / x4			
Privacy masking		Off / on (4 zones)			
Image effects		Brightness, Contrast, Hue, Saturation, Sharpness, Mirror, Flip			
Live Video output		CVBS 1.0Vp-p, 75 ohm, BNC connector			
Audio in / output		Mono, 1.4 Vp-p , 50 K Ω , terminal connector			
IP rating		IP66			
Window		Ø78 heat resistant glass			
Infrared LED	Peak wavelength		850nm		
	Beam spread		30°		
	Radiant distance		55M		
Operating temperature		-40°C – +50°C (-40°F – 122°F)			
Dimension		124mm(W) x 113mm(H) x 310mm(D), Bracket : 211.5mm(L)			
Weight		2200g			
Power supply		AC24V (±10%)	AC100 – 240V (±10%)	AC24V (±10%)	AC100 – 240V (±10%)
Power consumption		PoE+ (IEEE 802.3at compliant) 17W (PoE+, 20W)			

Network		
Video compression		H.264 , Motion JPEG
Resolution		3MP(2048 x 1536), 1080P(1920 x 1080), 720P(1280 x 720), D1(720 x 480), CIF(352 x 240)
Multiple profile	Profile #1	H.264 : up to 30 FPS @ 1920 x 1080, MJPEG : up to 30 FPS @ 720 x 480
	Profile #2	H.264 : up to 30 FPS @ 1280 x 720, MJPEG : up to 30 FPS @ 352 x 240
	Profile #3	H.264 : up to 30 FPS @ 1920 x 1080, MJPEG : up to 30 FPS @ 1280 x 720
	Profile #4	H.264 : up to 30 FPS @ 720 x 480, MJPEG : up to 15 FPS @ 1920 x 1080
	Profile #5	H.264 : up to 15 FPS @ 2048 x 1536, MJPEG : up to 15 FPS @ 720 x 480
Video streaming		RTP/HTTP, RTP/TCP, RTP/UDP, Multicast
Video bitrate		128Kbps – 5Mbps Frame rate and bit rate controllable on-the-fly VBR / CBR / GOP supported
Security		Base64 HTTP encryption Multiple user access levels with password protection 10 user accounts available
Users		8 simultaneous users
ePTZ & digital zoom		Yes, ROI is supported
OSD		Text overlay for date, time, and camera name
Alarm function		Alarm / motion / tampering / face / alarm detection triggering recording into SD card Image upload over FTP and E-mail by face / tampering / audio / motion detection
CPU, memory		Embedded SoC ARM11, 528MHz, 256MB DDR2, 256MB flash memory
Maintenance		Firmware update via HTTP Firmware available at web site
Network interface		10Mbps / 100Mbps Base-T, RJ-45
PC requirement		OS : Windows 2000, Windows XP, Windows Vista, Windows 7, Windows 8 Browser : Windows Internet Explorer 6.0 or above CPU : intel pentium 4 1.8GHz or above RAM : 1GB or above, independent display card
Network protocols		IP, TCP, UDP, HTTP, SMTP, NTP, DDNS, UPnP, FTP, ARP, DHCP, PPPoE, DNS, RTSP, RTCP, Telnet, ICMP, IGMP, ONVIF Profile S, SNMP, SIP, Bonjour
Mobile phone		iPhone, iPad, and Android support
System integration		ONVIF & LILIN HTTP API
Central management system		CMX 3.6 / NAV 1.0 support
Video display		LILIN Universal ActiveX & LILIN Java Applet
OS		Embedded Linux 2.6.32
Two-way audio		G.711 / PCM
SD card recording		Support SD/SDHC card for circular recording (card is not included)
Alarm input / output		Digital 1 input (TTL, +3 – 5VDC) / 1 Output (MOS Relay contact N.O., Load max. 40VDC/300mA)





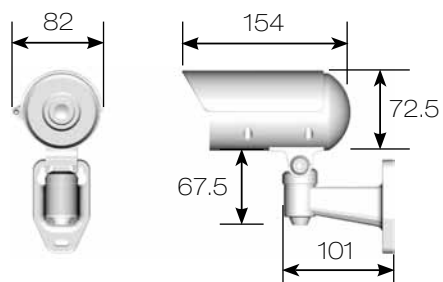
As with all Pro series cameras, the Day & Night 3MP HD IR IP camera IPR732 incorporates Sense up+, a unique technology that successfully delivers stunning video in low-light conditions. Featuring high-efficiency IR-LEDs provide 30 meters of light. Utilizing intelligent image signal processing, AGC control, and 3D Noise Reduction, this model successfully delivers the ultimate low-light image without motion blur. The IPR732 is capable of producing four independent video streams, different streams can be set for different applications, depending on the individual user requirements. The IP66-rated housing is designed to help the camera body withstand rain and dust and ensures operation under a multitude of harsh weather conditions.

FEATURES :

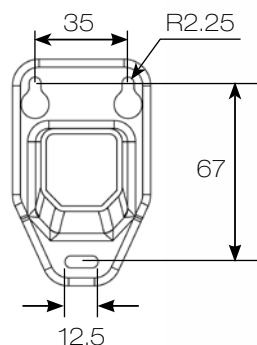
- Full HD 3.27 megapixel CMOS image sensor
- True H.264 AVC/MPEG-4 part 10 real-time Video compression
- H.264 and Motion JPEG multi-profile Video streaming
- 3D Noise Reduction (MCTF)
- 2D WDR function
- Digital PTZ supported
- Face / Tampering / Motion detection
- High efficiency IR LED, Radiant distance up to 30m
- Day & Night (IR cut removable)
- ONVIF supported
- Digital I/O : 1 in, 1 out
- ONVIF supported

DIMENSIONS : (Unit : mm)

Body : 82 x 72.5 x 154(W x H x D) Bracket: 101(L)



INSTALLATION HOLE SITE DIAGRAM :



SPECIFICATION :

Name		Day & Night 3MP HD IR IP Camera		
Model		IPR732ES4.3	IPR732ES6	
Lens	Focal length	4.3 mm	6 mm	
	Iris	F1.6	F1.8	
	Angle of view	H	70°	49.3°
		V	51°	35.9°
D		89°	64.5°	
Pick up element	1/2.8" CMOS image sensor			
Effective pixels	2096 (H) x 1561 (V) = 3,271,856 (pixel)			
Chip size	7.96mm (H) x 7.61mm (V)			
Scanning system	Progressive scan			
Infrared cut filter	Auto / schedule / day (color) / night (mono)			
Min. illumination	0.25 Lux at F1.6 (Low light mode) / 0 Lux with IR LED on	0.3 Lux at F1.8 (Low light mode) / 0 Lux with IR LED on		
White balance	Auto / tungsten / indoor / fluorescents1 / fluorescents2 / outdoor1 / outdoor2			
Back light compensation	Off / on			
Electrical shutter	1/30s – 1/8000s			
Sense up	Off / 1 frame / 2 frames / 3 frames / 7 frames			
Sense up +	Yes			
Auto gain control	36 dB variable gain			
3D Noise Reduction	Off / 1 – 32 selectable			
2D WDR	Off / auto / x2 / x3 / x4			
Privacy masking	Off / on (4 zones)			
Image effects	Brightness, contrast, hue, saturation, sharpness, mirror, flip			
IP rating	IP66			
Window	Ø65 heat resistant glass			
Infrared LED	Peak wavelength	850nm		
	Beam spread	30°		
	Radiant distance	30M		
Operating temperature	-40°C – +50°C (-40°F – 122°F)			
Dimension	Body : 82mm(W) x 72.5mm(H) x 154mm(D) / Bracket : 101mm(L)			
Weight	600g			
Power supply	DC12V ±10% / PoE (IEEE 802.3af compliant)			
Power consumption	DC12V, 9W / PoE, 10.2W			
Network				
Video compression	H.264 , Motion JPEG			
Resolution	3MP(2048 x 1536), 1080P(1920 x 1080), 720P(1280 x 720), D1(720 x 480), CIF(352 x 240)			
Multiple profile	Profile #1	H.264 : up to 30 FPS @ 1920 x 1080, MJPEG : up to 30 FPS @ 720 x 480		
	Profile #2	H.264 : up to 30 FPS @ 1280 x 720, MJPEG : up to 30 FPS @ 352 x 240		
	Profile #3	H.264 : up to 30 FPS @ 1920 x 1080, MJPEG : up to 30 FPS @ 1280 x 720		
	Profile #4	H.264 : up to 30 FPS @ 720 x 480, MJPEG : up to 15 FPS @ 1920 x 1080		
	Profile #5	H.264 : up to 15 FPS @ 2048 x 1536, MJPEG : up to 15 FPS @ 720 x 480		
Video streaming	RTP/HTTP, RTP/TCP, RTP/UDP, Multicast			
Video bitrate	128Kbps – 5Mbps			
	Frame rate and bit rate controllable on-the-fly			
	VBR / CBR / GOP supported			
Security	base64 HTTP encryption			
	Multiple user access levels with password protection			
	10 user accounts available			
Users	8 simultaneous users			
ePTZ & digital zoom	Yes, ROI is supported			
OSD	Text overlay for date, time, and camera name			
Alarm function	Motion / tampering / face detection triggering recording into SD card			
	Image upload over FTP and E-mail by face / tampering / motion detection			
CPU, memory	Embedded SoC ARM11, 528MHz, 256MB DDR2, 256MB flash memory			
Maintenance	Firmware update via HTTP			
	Firmware available at web site			
Network interface	10Mbps / 100Mbps Base-T, RJ-45			
PC requirement	OS : Windows 2000, Windows XP, Windows Vista, Windows 7, Windows 8			
	Browser : Windows Internet Explorer 6.0 or above			
	CPU : intel pentium 4 1.8GHz or above			
	RAM : 1GB or above, independent display card			
Network protocols	IP, TCP, UDP, HTTP, SMTP, NTP, DDNS, UPnP, FTP, ARP, DHCP, PPPoE, DNS, RTSP, RTCP, Telnet, ICMP, IGMP, ONVIF Profile S, SNMP, SIP, Bonjour			
Mobile phone	iPhone, iPad, and Android support			
System integration	ONVIF & LILIN HTTP API			
Central management system	CMX 3.6 / NAV 1.0 support			
Video display	LILIN Universal ActiveX & LILIN Java Applet			
OS	Embedded Linux 2.6.32			
SD card recording	Support Micro SD/SDHC card for circular recording (card is not included)			



As with all Pro series cameras, IK10 vandal resistant rating Day & Night 3MP HD vandal resistant dome IR IP camera IPR6132X incorporates Sense up+, a unique technology that successfully delivers stunning video in low-light conditions. Featuring high-efficiency IR-LEDs provide 25 meters of light. Utilizing intelligent image signal processing, AGC control, and 3D Noise Reduction, this model successfully delivers the ultimate low-light image without motion blur. The IPR6132X is capable of producing four independent video streams, different streams can be set for different applications, depending on the individual user requirements. The IP67-rated housing is designed to help the camera body withstand rain and dust and ensures operation under a multitude of harsh weather conditions.

FEATURES :

- Full HD 3 megapixel CMOS image sensor
- True H.264 AVC/MPEG-4 part 10 real-time Video compression
- H.264 and Motion JPEG multi-profile Video streaming
- 3D Noise Reduction (MCTF)
- 2D WDR function
- Digital PTZ supported
- Face / tampering / audio / motion / alarm detection
- Impact Resistant Polycarbonate Dome Cover
- High efficiency IR LED, Radiant distance up to 25m
- Day & Night (IR cut removable)
- 2-way audio supported
- Digital I/O : 1 in, 1 out
- ONVIF supported

DIMENSIONS : (Unit : mm)

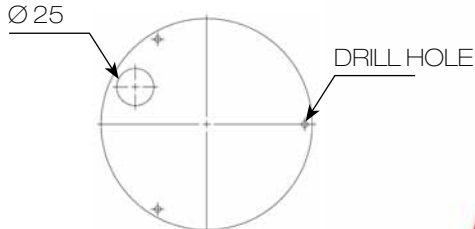
Ø145 x 130

Ø 145



INSTALLATION HOLE SITE DIAGRAM :

Ø 25



SPECIFICATION :

Name		Day & Night 3MP HD Vandal Resistant Dome IR IP Camera	
Model		IPR6132ESX3.6	
Lens	Focal length	3.3 - 12 mm	
	Iris	F1.4	
	Angle of view	H	79.3° - 29.8°
		V	59.4° - 22.4°
D	99° - 37.3°		
Pick up element		1/2.8" CMOS image sensor	
Effective pixels		2096 (H) x 1561 (V) = 3,271,856 (pixel)	
Chip size		7.96mm (H) x 7.61mm (V)	
Scanning system		Progressive scan	
Infrared cut filter		Auto / schedule / day (color) / night (mono)	
Min. illumination		0.15 Lux at F1.4 (Low Light Mode) / 0 Lux with IR LED ON	
White balance		Auto / tungsten / indoor / fluorescents1 / fluorescents2 / outdoor1 / outdoor2	
Back light compensation		Off / on	
Electronic shutter		1/30s - 1/8000s	
Sense up		Off / 1 frame / 2 frames / 3 frames / 7 frames	
Sense up +		Yes	
Auto gain control		36 dB variable gain	
3D Noise Reduction		Off / 1 - 32 selectable	
2D WDR		Off / auto / x2 / x3 / x4	
Privacy masking		Off / on (4 zones)	
Image effects		Brightness, Contrast, Hue, Saturation, Sharpness, Mirror, Flip	
Live Video output		CVBS 1.0Vp-p, 75 ohm, RCA connector	
Audio in / output		Mono, 1.4 Vp-p , 50 K Ω , terminal connector	
IP rating		IP67	
Vandal resistant rating		IK10	
Infrared LED	Peak wavelength	850nm	
	Beam spread	30°	
	Radiant distance	25M	
Operating temperature		-40°C - +50°C (-40°F - 122°F)	
Dimension		Ø145 x 130mm	
Weight		1000g	
Power supply		DC12V \pm 10% / PoE (IEEE 802.3af compliant)	
Power consumption		DC12V, 9W / PoE, 10.2W	

Network			
Video compression		H.264 , Motion JPEG	
Resolution		3MP(2048 x 1536), 1080P(1920 x 1080), 720P(1280 x 720), D1(720 x 480), CIF(352 x 240)	
Multiple profile	Profile #1	H.264 : up to 30 FPS @ 1920 x 1080, MJPEG : up to 30 FPS @ 720 x 480	
	Profile #2	H.264 : up to 30 FPS @ 1280 x 720, MJPEG : up to 30 FPS @ 352 x 240	
	Profile #3	H.264 : up to 30 FPS @ 1920 x 1080, MJPEG : up to 30 FPS @ 1280 x 720	
	Profile #4	H.264 : up to 30 FPS @ 720 x 480, MJPEG : up to 15 FPS @ 1920 x 1080	
	Profile #5	H.264 : up to 15 fps @ 2048 x 1536 , MJPEG : up to 15 fps @ 720 x 480	
Video streaming		RP/HTTP, RTP/TCP, RTP/UDP, Multicast	
Video bitrate		128Kbps - 5Mbps Frame rate and bit rate controllable on-the-fly VBR / CBR / GOP supported	
Security		Base64 HTTP encryption Multiple user access levels with password protection 10 user accounts available	
Users		8 simultaneous users	
ePTZ & digital zoom		Yes, ROI is supported	
OSD		Text overlay for date, time, and camera name	
Alarm function		Alarm / motion / tampering / face / alarm detection triggering recording into SD card Image upload over FTP and E-mail by face / tampering / audio / motion detection	
CPU, memory		Embedded SoC ARM11, 528MHz, 256MB DDR2, 256MB flash memory	
Maintenance		Firmware update via HTTP Firmware available at web site	
Network interface		10Mbps / 100Mbps Base-T, RJ-45	
PC requirement		OS : Windows 2000, Windows XP, Windows Vista, Windows 7, Windows 8 Browser : Windows Internet Explorer 6.0 or above CPU : intel pentium 4 1.8GHz or above RAM : 1GB or above, independent display card	
Network protocols		IP, TCP, UDP, HTTP, SMTP, NTP, DDNS, UPnP, FTP, ARP, DHCP, PPPoE, DNS, RTSP, RTCP, Telnet, ICMP, IGMP, ONVIF Profile S, SNMP, SIP, Bonjour	
Mobile phone		iPhone, iPad, and android support	
System integration		ONVIF & LILIN HTTP API	
Central management system		CMX 3.6 / NAV 1.0 support	
Video display		LILIN Universal ActiveX & LILIN Java Applet	
OS		Embedded Linux 2.6.32	
Two-way audio		G.711 / PCM	
SD card recording		Support Micro SD/SDHC card for circular recording (card is not included)	
Alarm input / output		Digital 1 input (TTL, +3 - 5VDC) / 1 Output (MOS Relay contact N.O., Load max. 40VDC/300mA)	



As with all Pro series cameras, IK10 vandal resistant rating Day & Night 3MP HD vandal resistant dome IP camera IPD6132X incorporates Sense up+, a unique technology that successfully delivers stunning video in low-light conditions. Utilizing intelligent image signal processing, AGC control, and 3D Noise Reduction, this model successfully delivers the ultimate low-light image without motion blur. The IPD6132X is capable of producing four independent video streams, different streams can be set for different applications, depending on the individual user requirements. The IP67-rated housing is designed to help the camera body withstand rain and dust and ensures operation under a multitude of harsh weather conditions.

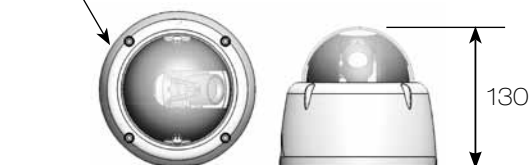
FEATURES :

- Full HD 3.27 megapixel CMOS image sensor
- True H.264 AVC/MPEG-4 part 10 real-time Video compression
- H.264 and Motion JPEG multi-profile Video streaming
- 3D Noise Reduction (MCTF)
- 2D WDR function
- Digital PTZ supported
- Face / tampering / audio / motion / alarm detection
- Impact Resistant Polycarbonate Dome Cover
- Day & Night (IR cut removable)
- 2-way audio supported
- Digital I/O : 1 in, 1 out
- ONVIF supported

DIMENSIONS : (Unit : mm)

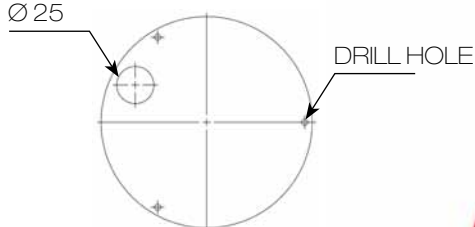
Ø145 x 130

Ø 145



INSTALLATION HOLE SITE DIAGRAM :

Ø 25



SPECIFICATION :

Name	Day & Night 3MP HD Vandal Resistant Dome IP Camera		
Model	IPD6132ESX3.6		
Lens	Focal length	3.3 – 12 mm	
	Iris	F1.4	
	Angle of view	H	79.3° – 29.8°
		V	59.4° – 22.4°
D		99° – 37.3°	
Pick up element	1/2.8" CMOS image sensor		
Effective pixels	2096 (H) x 1561 (V) = 3,271,856 (pixel)		
Chip size	7.96mm (H) x 7.61mm (V)		
Scanning system	Progressive scan		
Infrared cut filter	Auto / schedule / day (color) / night (mono)		
Min. illumination	0.15 Lux at F1.4 (Low light mode)		
White balance	Auto / tungsten / indoor / fluorescents1 / fluorescents2 / outdoor1 / outdoor2		
Back light compensation	Off / on		
Electrical shutter	1/30s – 1/8000s		
Sense up	Off / 1 frame / 2 frames / 3 frames / 7 frames		
Sense up +	Yes		
Auto gain control	36 dB variable gain		
3D Noise Reduction	Off / 1 – 32 selectable		
2D WDR	Off / auto / x2 / x3 / x4		
Privacy masking	Off / on (4 zones)		
Image effects	Brightness, Contrast, Hue, Saturation, Sharpness, Mirror, Flip		
Live Video output	CVBS 1.0Vp-p, 75 ohm, RCA connector		
Audio in / output	Mono, 1.4 Vp-p , 50 KΩ , terminal connector		
IP rating	IP67		
Vandal resistant rating	IK10		
Operating temperature	-40°C – +50°C (-40°F – 122°F)		
Dimension	∅ 145 x 130mm		
Weight	960g		
Power supply	DC12V ±10% / PoE (IEEE 802.3af compliant)		
Power consumption	DC12V, 6W / PoE, 7.5W		

Network			
Video compression	H.264 , Motion JPEG		
Resolution	3MP(2048 x 1536), 1080P(1920 x 1080), 720P(1280 x 720), D1(720 x 480), CIF(352 x 240)		
Multiple profile	Profile #1	H.264 : up to 30 FPS @ 1920 x 1080, MJPEG : up to 30 FPS @ 720 x 480	
	Profile #2	H.264 : up to 30 FPS @ 1280 x 720, MJPEG : up to 30 FPS @ 352 x 240	
	Profile #3	H.264 : up to 30 FPS @ 1920 x 1080, MJPEG : up to 30 FPS @ 1280 x 720	
	Profile #4	H.264 : up to 30 FPS @ 720 x 480, MJPEG : up to 15 FPS @ 1920 x 1080	
	Profile #5	H.264 : up to 15 FPS @ 2048 x 1536, MJPEG : up to 15 FPS @ 720 x 480	
Video streaming	RTP/HTTP, RTP/TCP, RTP/UDP, Multicast		
Video bitrate	128Kbps – 5Mbps		
	Frame rate and bit rate controllable on-the-fly		
	VBR / CBR / GOP supported		
Security	Base64 HTTP encryption		
	Multiple user access levels with password protection		
	10 user accounts available		
Users	8 simultaneous users		
ePTZ & digital zoom	Yes, ROI is supported		
OSD	Text overlay for date, time, and camera name		
Alarm function	Alarm / motion / tampering / face / alarm detection triggering recording into SD card		
	Image upload over FTP and E-mail by face / tampering / audio / motion detection		
CPU, memory	Embedded SoC ARM11, 528MHz, 256MB DDR2, 256MB flash memory		
Maintenance	Firmware update via HTTP		
	Firmware available at web site		
Network interface	10Mbps / 100Mbps Base-T, RJ-45		
PC requirement	OS : Windows 2000, Windows XP, Windows Vista, Windows 7, Windows 8		
	Browser : Windows Internet Explorer 6.0 or above		
	CPU : intel pentium 4 1.8GHz or above		
Network protocols	RAM : 1GB or above, independent display card		
	IP, TCP, UDP, HTTP, SMTP, NTP, DDNS, UPnP, FTP, ARP, DHCP, PPPoE, DNS, RTSP, RTCP, Telnet, ICMP, IGMP, ONVIF Profile S, SNMP, SIP, Bonjour		
Mobile phone	iPhone, iPad, and Android support		
System integration	ONVIF & LILIN HTTP API		
Central management system	CMX 3.6 / NAV 1.0 support		
Video display	LILIN Universal ActiveX & LILIN Java Applet		
OS	Embedded Linux 2.6.32		
Two-way audio	G.711 / PCM		
SD card recording	Support Micro SD/SDHC card for circular recording (card is not included)		
Alarm input / output	Digital 1 input (TTL, +3 – 5VDC) / 1 Output (MOS Relay contact N.O., Load max. 40VDC/300mA)		





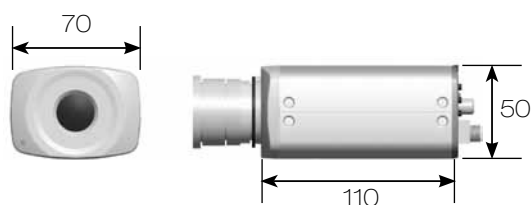
LILIN's award-winning IPG1032X 3MP HD IP Camera is capable of streaming video at up to 15 FPS (frames per second) design suited to almost any application. As with all Pro series cameras, the IPG1032X incorporates Sense up+, a unique technology that successfully delivers stunning video in low-light conditions. Utilizing intelligent image signal processing, AGC control, and 3D Noise Reduction, this model successfully delivers the ultimate low-light image without motion blur. Measuring less than 125mm in length, this latest addition to the range provides an internal solution suited to multiple applications.

FEATURES :

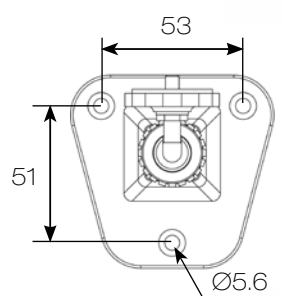
- Full HD 5.0 megapixel CMOS image sensor
- True H.264 AVC/MPEG-4 part 10 real-time Video compression
- H.264 and Motion JPEG multi-profile Video streaming
- 3D Noise Reduction (MCTF) / 2D WDR function
- Digital PTZ supported
- Face / tampering / audio / motion / alarm detection
- Day & Night (IR cut removable)
- 2-way audio supported
- Built-in highly sensitive microphone
- Digital I/O : 1 in, 1 out
- ONVIF supported
- RS-485 supported

DIMENSIONS : (Unit : mm)

70 x 50 x 110 (W x H x D)



INSTALLATION HOLE SITE DIAGRAM :



SPECIFICATION :

Name		Day & Night 3MP HD IP Camera	
Model		IPG1032ESX3	
Lens	Focal length		2.8 – 8 mm (CS mount)
	Iris		F1.2
	Angle of view	H	100.1° – 35.8°
		V	72.9° – 26.9°
D		123.8° – 44.8°	
Pick up element		1/2.8" CMOS image sensor	
Effective pixels		2096 (H) x 1561 (V) = 3,271,856 (pixel)	
Chip size		7.96mm (H) x 7.61mm (V)	
Scanning system		Progressive scan	
Infrared cut filter		Auto / schedule / day (color) / night (mono) / external control	
Min. illumination		0.1 Lux at F1.2 (Low light mode)	
White balance		Auto / tungsten / indoor / fluorescents1 / fluorescents2 / outdoor1 / outdoor2	
Back light compensation		Off / on	
Electronic shutter		1/30s – 1/8000s	
Sense up		Off / 1 frame / 2 frames / 3 frames / 7 frames	
Sense up +		Yes	
Auto gain control		36 dB variable gain	
3D Noise Reduction		Off / 1 – 32 selectable	
2D WDR		Off / auto / x2 / x3 / x4	
Privacy masking		Off / on (4 zones)	
Image effects		Brightness, Contrast, Hue, Saturation, Sharpness, Mirror, Flip	
Live Video output		CVBS 1.0Vp-p, 75 ohm, BNC connector	
Audio in / output		Mono, 1.4 Vp-p , 50 K Ω , 3.5mm phone jack	
Operating temperature		-25°C – +50°C (-13°F – 122°F)	
Dimension		70mm(W) x 50mm(H) x 110mm(D)	
Weight		380g	
Power supply		DC12V \pm 10% / PoE (IEEE 802.3af compliant)	
Power consumption		DC12V, 6W / PoE, 7.5W	

Network			
Video compression		H.264 , Motion JPEG	
Resolution		3MP(2048 x 1536), 1080P(1920 x 1080), 720P(1280 x 720), D1(720 x 480), CIF(352 x 240)	
Multiple profile	Profile #1	H.264 : up to 30 FPS @ 1920 x 1080, MJPEG : up to 30 FPS @ 720 x 480	
	Profile #2	H.264 : up to 30 FPS @ 1280 x 720, MJPEG : up to 30 FPS @ 352 x 240	
	Profile #3	H.264 : up to 30 FPS @ 1920 x 1080, MJPEG : up to 30 FPS @ 1280 x 720	
	Profile #4	H.264 : up to 30 FPS @ 720 x 480, MJPEG : up to 15 FPS @ 1920 x 1080	
	Profile #5	H.264 : up to 15 FPS @ 2048 x 1536, MJPEG : up to 15 FPS @ 720 x 480	
Video streaming		RTP/HTTP, RTP/TCP, RTP/UDP, Multicast	
Video bitrate	128Kbps – 5Mbps		
	Frame rate and bit rate controllable on-the-fly		
	VBR / CBR / GOP supported		
Security	Base64 HTTP encryption		
	Multiple user access levels with password protection		
	10 user accounts available		
Users		8 simultaneous users	
ePTZ & digital zoom		Yes, ROI is supported	
OSD		Text overlay for date, time, and camera name	
Alarm function		Alarm / motion / tampering / face / alarm detection triggering recording into SD card Image upload over FTP and E-mail by face / tampering / audio / motion detection	
CPU, memory		Embedded SoC ARM11, 528MHz, 256MB DDR2, 256MB flash memory	
Maintenance		Firmware update via HTTP Firmware available at web site	
Network interface		10Mbps / 100Mbps Base-T, RJ-45	
PC requirement	OS : Windows 2000, Windows XP, Windows Vista, Windows 7, Windows 8		
	Browser : Windows Internet Explorer 6.0 or above		
	CPU : intel pentium 4 1.8GHz or above RAM : 1GB or above, independent display card		
Network protocols		IP, TCP, UDP, HTTP, SMTP, NTP, DDNS, UPnP, FTP, ARP, DHCP, PPPoE, DNS, RTSP, RTCP, Telnet, ICMP, IGMP, ONVIF Profile S, SNMP, SIP, Bonjour	
Mobile phone		iPhone, iPad, and Android support	
System integration		ONVIF & LILIN HTTP API	
Central management system		CMX 3.6 / NAV 1.0 support	
Video display		LILIN Universal ActiveX & LILIN Java Applet	
OS		Embedded Linux 2.6.32	
Two-way audio		G.711 / PCM	
SD card recording		Support Micro SD/SDHC card for circular recording (card is not included)	
Alarm input / output		Digital 1 input (TTL, +3 – 5VDC) / 1 Output (MOS Relay contact N.O., Load max. 40VDC/300mA)	



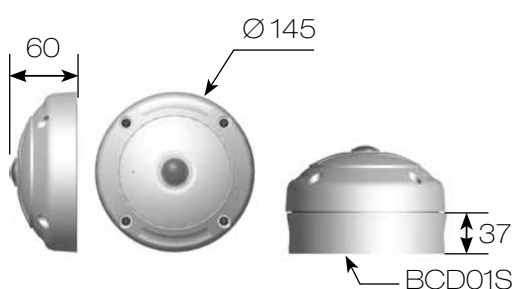
LILIN FD2452 is a fixed dome IP security camera featuring a fisheye lens for 360° panoramic wide angle view without any blind spots. The fisheye lens with high resolution provides 360° wide view surveillance, and the panorama function with quad view enables 4 different angle images to display for recording and monitoring at the same time. This latest fisheye fixed dome network camera introduced by LILIN, featuring a detailed 5-Megapixel resolution CMOS sensor with superb image quality. With flexible design of FD2452 allows it to be applied in various IP surveillance environments. LILIN FD2452 delivers clear images via multi-streaming H.264 and Motion JPEG video up to 1,920 x 1,080 pixels, and also offers electronically pan, tilt, and zoom function that allows can give users access different video modes including: 180° double table/broad view or 360° source image view.

FEATURES :

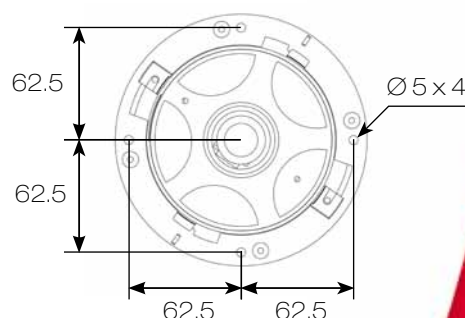
- True H.264 AVC/MPEG-4 part 10 real-time video compression
- H.264 and Motion JPEG multi-profile video streaming
- 3D Noise Reduction / 2D WDR function
- Provide 360 degree view of entire scene without any blind spot
- 360 degree entire scene from one camera and no mechanical PTZ (Pan, Tilt, Zoom) motor needed
- Up to 4 independent distortion corrected view angle can be specified
- Audio / motion / alarm detection
- Day & Night (IR cut removable)
- 2-way audio supported
- Built-in highly sensitive microphone
- Digital I/O : 1 in, 1 out
- ONVIF Profile S supported
- Impact Resistant Polycarbonate Dome Cover (for FD2452V)

DIMENSIONS : (Unit : mm)

Ø 145 x 60



INSTALLATION HOLE SITE DIAGRAM :



SPECIFICATION :

Name		Day & Night 360° Panorama Dome HD IP Camera	
Model		FD2452E	FD2452V
Lens	Focal length		1.05 mm
	Iris		F2.8
	Angle of view	H	185°
		V	185°
D		185°	
Pick up element		1/2.5" CMOS image sensor	
Effective pixels		2592 (H) x 1944 (v) = 5,038,848 (pixel)	
Chip size		5.70m m (H) x 4.28m m (V)	
Scanning system		Progressive scan	
Infrared cut filter		Auto / schedule / day (color) / night (mono)	
Min. illumination		0.7 Lux at F2.8 (Low light mode)	
White balance		Auto / fluorescents1 / outdoor1 / outdoor2	
Shutter range		Auto / 1 / 2 / 3	
Auto gain control		Auto	
3D Noise Reduction		Off / 1 - 32 selectable	
2D WDR		Off / x1 / x2 / x3 / x4 / x5	
Privacy masking		Off / on (4 zones)	
Image effects		Brightness, contrast, saturation, sharpness	
Screen mode		Full panorama / wide panorama / around panorama / 4 window / 1 window	
Live Video output		Cvbs 1.0Vp-p, 75 ohm, BNC connector	
Audio in / output		Mono, 1.4 Vp-p , 50 kΩ , 3.5mm phone jack	
IP rating		-	IP54
Vandal resistant rating		-	IK8
Operating temperature		-25°C - +50°C (-13°F - 122°F)	
Dimension		Ø 145 x 60mm	
Weight		600g	
Power supply		DC12V ±10% / PoE (IEEE 802.3 af compliant)	
Power consumption		DC12V, 8W / PoE, 9.2W	

NETWORK			
Video compression		H.264 , Motion jpeg	
Resolution		1080P(1920x1080), 720P(1280x720), D1(720x480), CIF(352x240)	
Multiple profile	Profile #1	H.264 : up to 30 FPS @ 1920 x 1080 , Mjpeg : up to 30 FPS @ 720 x 480	
	Profile #2	H.264 : up to 30 FPS @ 1280 x 720 , Mjpeg : up to 30 FPS @ 352 x 240	
	Profile #3	H.264 : up to 30 FPS @ 1920 x 1080 , Mjpeg : up to 30 FPS @ 1280 x 720	
	Profile #4	H.264 : up to 30 FPS @ 720 x 480 , Mjpeg : up to 15 FPS @ 1920 x 1080	
Video streaming		RTP/HTTP, RTP/TCP, RTP/UDP, Multicast	
Video bitrate		128Kbps - 10Mbps	
		Frame rate and bit rate controllable on-the-fly VBR / CBR / GOP supported	
Security		Base 64 http encryption	
		Multiple user access levels with password protection	
		IP filter with access log	
		10 user accounts available	
Users		8 Simultaneous users	
ePTZ		Yes, controlable	
OSD		Text overlay for date, time, and camera name	
Alarm function		Alarm / motion / alarm detection triggering recording into sd card Image upload over ftp and e-mail by audio / motion detection	
CPU, memory		Embedded soc arm11, 528MHZ, 256MB DDR2, 256Mb flash memory	
Maintenance		Firmware update via http	
		Firmware available at web site	
Network interface		10Mbps / 100Mbps base-t, RJ-45	
PC requirement		OS : Windows 2000, Windows XP, Windows Vista, Windows 7, Windows 8	
		Browser : Windows Internet Explorer 6.0 or above	
		CPU : intel pentium 4 1.8GHz or above	
		RAM : 1GB or above, independent display card	
Network protocols		IP, TCP, UDP, HTTP, SMTP, NTP, DDNS, UPnP, FTP, ARP, DHCP, PPPoE, DNS, RTSP, RTCP, Telnet, ICMP, IGMP, ONVIF Profile S, SNMP, SIP, Bonjour	
Mobile phone		iPhone, iPad, and Android support	
System integration		ONVIF & LILIN HTTP API	
Central management system		CMX 3.6 / NAV 1.0 support	
Video display		LILIN universal activex & LILIN java applet	
OS		Embedded linux 2.6.32	
Two-way audio		G.711 / PCM	
SD card recording		Support Micro SD/SDHC card for circular recording (card is not included)	
Alarm input / output		Digital 1 input (TTL, +3 - 5VDC) / 1 Output (MOS Relay contact N.O., Load max. 40VDC/300mA)	



IPR424X / IPR428X

DAY & NIGHT 1080P HD VARI-FOCAL IR IP CAMERA



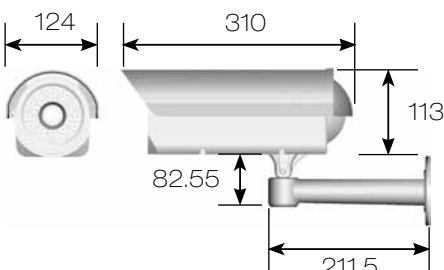
As with all Pro series cameras, the 1080P HD Vari-Focal IR IP Camera IPR424X / IPR428X incorporates Sense up+, a unique technology that successfully delivers stunning video in low-light conditions. Utilizing intelligent image signal processing, AGC control, and 3D Noise Reduction, this model successfully delivers the ultimate low-light image without motion blur. The IPR424X / IPR428X is capable of producing four independent video streams, different streams can be set for different applications, depending on the individual user requirements. The IP66-rated housing is designed to help the camera body withstand rain and dust and ensures operation under a multitude of harsh weather conditions.

FEATURES :

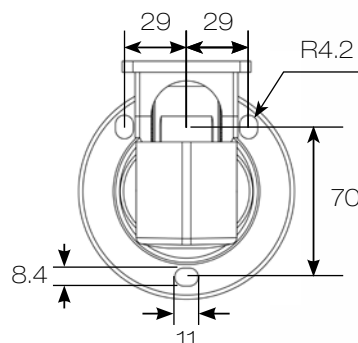
- Full HD 2 megapixel CMOS image sensor
- True H.264 AVC/MPEG-4 part 10 real-time Video compression
- H.264 and Motion JPEG multi-profile Video streaming
- 3D Noise Reduction (MCTF)
- 2D WDR function
- Digital PTZ supported
- Face / tampering / audio / motion / alarm detection
- Cable managed housing and bracket
- High efficiency IR LED, Radiant distance up to 55m
- Day & Night (IR cut removable)
- 2-way audio supported
- Digital I/O : 1 in, 1 out
- ONVIF supported

DIMENSIONS : (Unit : mm)

Body : 124 x 113 x 310 (W x H x D) Bracket : 211.5(L)



INSTALLATION HOLE SITE DIAGRAM :



SPECIFICATION :

Name		Day & Night 1080P HD Vari-focal IR IP Camera	
Model		IPR424ESX3.6	IPR428ESX3.6
Lens	Focal length	3.3 – 12 mm	
	Iris	F1.4	
	Angle of view	H	79.3° – 29.8°
		V	59.4° – 22.4°
D		99° – 37.3°	
Pick up element		1/2.7" CMOS image sensor	
Effective pixels		1920 (H) x 1080 (V) = 2,073,600 (pixel)	
Chip size		5.856mm (H) x 3.276mm (V)	
Scanning system		Progressive scan	
Infrared cut filter		Auto / schedule / day (color) / night (mono)	
Min. illumination		0.1 Lux at F1.4 (Low light mode) / 0 Lux with IR LED on	
White balance		Auto / tungsten / indoor / fluorescents1 / fluorescents2 / outdoor1 / outdoor2	
Back light compensation		Off / on	
Electronic shutter		1/30s – 1/8000s	
Sense up		Off / 1 frame / 2 frames / 3 frames / 7 frames	
Sense up +		Yes	
Auto gain control		36 dB variable gain	
3D Noise Reduction		Off / 1 – 32 selectable	
2D WDR		Off / on	
Privacy masking		Off / on (4 zones)	
Image effects		Brightness, Contrast, Hue, Saturation, Sharpness, Mirror, Flip	
Live Video output		CVBS 1.0Vp-p, 75 ohm, BNC connector	
Audio in / output		Mono, 1.4 Vp-p , 50 KΩ , terminal connector	
IP rating		IP66	
Window		Ø 78 heat resistant glass	
Infrared LED	Peak wavelength	850nm	
	Beam spread	30°	
	Radiant distance	55M	
Operating temperature		-40°C – +50°C (-40°F – 122°F)	
Dimension		Body : 124mm(W) x 113mm(H) x 310mm(D) , Bracket : 211.5mm(L)	
Weight		2200g	
Power supply		AC24V (±10%)	AC100 – 240V (±10%)
		PoE+ (IEEE 802.3at compliant)	
Power consumption		17W (PoE+, 20W)	

Network			
Video compression		H.264 , Motion JPEG	
Resolution		1080P(1920 x 1080), 720P(1280 x 720), D1(720 x 480), CIF(352 x 240)	
Multiple profile	Profile #1	H.264 : up to 30 FPS @ 1920 x 1080, MJPEG : up to 30 FPS @ 720 x 480	
	Profile #2	H.264 : up to 30 FPS @ 1280 x 720, MJPEG : up to 30 FPS @ 352 x 240	
	Profile #3	H.264 : up to 30 FPS @ 1920 x 1080, MJPEG : up to 30 FPS @ 1280 x 720	
	Profile #4	H.264 : up to 30 FPS @ 720 x 480, MJPEG : up to 15 FPS @ 1920 x 1080	
Video streaming		RTP/HTTP, RTP/TCP, RTP/UDP, Multicast	
Video bitrate		128Kbps – 5Mbps Frame rate and bit rate controllable on-the-fly VBR / CBR / GOP supported	
Security		Base64 HTTP encryption Multiple user access levels with password protection 10 user accounts available	
Users		8 simultaneous users	
ePTZ & digital zoom		Yes, ROI is supported	
OSD		Text overlay for date, time, and camera name	
Alarm function		Alarm / motion / tampering / face / alarm detection triggering recording into SD card Image upload over FTP and E-mail by face / tampering / audio / motion detection	
CPU, memory		Embedded SoC ARM11, 528MHz, 256MB DDR2, 256MB flash memory	
Maintenance		Firmware update via HTTP Firmware available at web site	
Network interface		10Mbps / 100Mbps Base-T, RJ-45	
PC requirement		OS : Windows 2000, Windows XP, Windows Vista, Windows 7, Windows 8 Browser : Windows Internet Explorer 6.0 or above CPU : intel pentium 4 1.8GHz or above RAM : 1GB or above, independent display card	
Network protocols		IP, TCP, UDP, HTTP, SMTP, NTP, DDNS, UPnP, FTP, ARP, DHCP, PPPoE, DNS, RTSP, RTCP, Telnet, ICMP, IGMP, ONVIF Profile S, SNMP, SIP, Bonjour	
Mobile phone		iPhone, iPad, and Android support	
System integration		ONVIF & LILIN HTTP API	
Central management system		CMX 3.6 / NAV 1.0 support	
Video display		LILIN Universal ActiveX & LILIN Java Applet	
OS		Embedded Linux 2.6.32	
Two-way audio		G.711 / PCM	
SD card recording		Support SD/SDHC card for circular recording (card is not included)	
Alarm input / output		Digital 1 input (TTL, +3 – 5VDC) / 1 Output (MOS Relay contact N.O., Load max. 40VDC/300mA)	





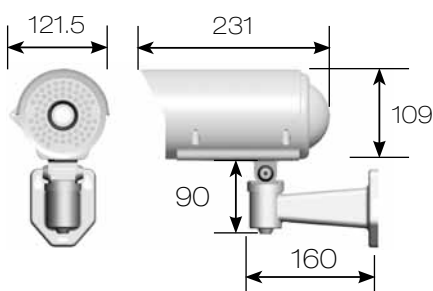
As with all Pro series cameras, the 1080P HD Vari-Focal IR IP Camera IPR7424X/IPR7428X incorporates Sense up+, a unique technology that successfully delivers stunning video in low-light conditions. Utilizing intelligent image signal processing, AGC control, and 3D Noise Reduction, this model successfully delivers the ultimate low-light image without motion blur. The IPR7424X/IPR7428X is capable of producing four independent video streams, different streams can be set for different applications, depending on the individual user requirements. The IP66-rated housing is designed to help the camera body withstand rain and dust and ensures operation under a multitude of harsh weather conditions.

FEATURES :

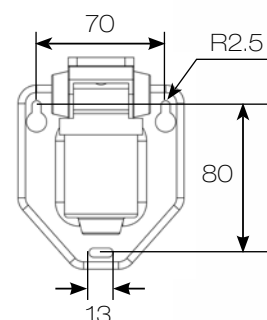
- Full HD 2 megapixel CMOS image sensor
- True H.264 AVC/MPEG-4 part 10 real-time Video compression
- H.264 and Motion JPEG multi-profile Video streaming
- 3D Noise Reduction (MCTF)
- 2D WDR function
- Digital PTZ supported
- Face / tampering / audio / motion / alarm detection
- Cable managed housing and bracket
- High efficiency IR LED, Radiant distance up to 45m
- Day & Night (IR cut removable)
- 2-way audio supported
- Digital I/O : 1 in, 1 out
- ONVIF supported

DIMENSIONS : (Unit : mm)

Body : 121.5 x 109 x 231 (W x H x D) Bracket : 160(L)



INSTALLATION HOLE SITE DIAGRAM :



SPECIFICATION :

Name		Day & Night 1080P HD Vari-focal IR IP Camera			
Model		IPR7424ESX3.6	IPR7428ESX3.6	IPR7424ESX2.4	IPR7428ESX2.4
Lens	Focal length		3.3 – 12 mm		9 – 22 mm
	Iris		F1.4		F1.4
	Angle of view	H	79.3° – 29.8°		29.5° – 12.4°
		V	59.4° – 22.4°		22° – 9.3°
	D	99° – 37.3°		36.9° – 15.5°	
Pick up element		1/2.7" CMOS image sensor			
Effective pixels		1920 (H) x 1080 (V) = 2,073,600 (pixel)			
Chip size		5.856mm (H) x 3.276mm (V)			
Scanning system		Progressive scan			
Infrared cut filter		Auto / schedule / day (color) / night (mono)			
Min. illumination		0.1 Lux at F1.4 (Low light mode) / 0 Lux with IR LED on			
White balance		Auto / tungsten / indoor / fluorescents1 / fluorescents2 / outdoor1 / outdoor2			
Back light compensation		Off / on			
Electrical shutter		1/30s – 1/8000s			
Sense up		Off / 1 frame / 2 frames / 3 frames / 7 frames			
Sense up +		Yes			
Auto gain control		36 dB variable gain			
3D Noise Reduction		Off / 1 – 32 selectable			
2D WDR		Off / on			
Privacy masking		Off / on (4 zones)			
Image effects		Brightness, Contrast, Hue, Saturation, Sharpness, Mirror, Flip			
Live Video output		CVBS 1.0Vp-p, 75 ohm, BNC connector			
Audio in / output		Mono, 1.4 Vp-p , 50 K Ω , terminal connector			
IP rating		IP66			
Window		\varnothing 92 heat resistant glass			
Infrared LED	Peak wavelength		850nm		
	Beam spread		30°		
	Radiant distance		45M		
Operating temperature		-40°C – +50°C (-40°F – 122°F)			
Dimension		Body : 121.5mm(W) x 109mm(H) x 231mm(D) , Bracket : 160mm(L)			
Weight		1700g			
Power supply		AC24V (\pm 10%)	AC100 – 240V (\pm 10%)	AC24V (\pm 10%)	AC100 – 240V (\pm 10%)
		PoE+ (IEEE 802.3at compliant)			
Power consumption		14W (PoE+, 16W)			

Network		
Video compression		H.264 , Motion JPEG
Resolution		1080P(1920 x 1080), 720P(1280 x 720), D1(720 x 480), CIF(352 x 240)
Multiple profile	Profile #1	H.264 : up to 30 FPS @ 1920 x 1080, MJPEG : up to 30 FPS @ 720 x 480
	Profile #2	H.264 : up to 30 FPS @ 1280 x 720, MJPEG : up to 30 FPS @ 352 x 240
	Profile #3	H.264 : up to 30 FPS @ 1920 x 1080, MJPEG : up to 30 FPS @ 1280 x 720
	Profile #4	H.264 : up to 30 FPS @ 720 x 480, MJPEG : up to 15 FPS @ 1920 x 1080
Video streaming		RTP/HTTP, RTP/TCP, RTP/UDP, Multicast
Video bitrate		128Kbps – 5Mbps
		Frame rate and bit rate controllable on-the-fly
		VBR / CBR / GOP supported
Security		Base64 HTTP encryption
		Multiple user access levels with password protection
		10 user accounts available
Users		8 simultaneous users
ePTZ & digital zoom		Yes, ROI is supported
OSD		Text overlay for date, time, and camera name
Alarm function		Alarm / motion / tampering / face / alarm detection triggering recording into SD card
CPU, memory		Image upload over FTP and E-mail by face / tampering / audio / motion detection
Maintenance		Embedded SoC ARM11, 528MHz, 256MB DDR2, 256MB flash memory
Network interface		Firmware update via HTTP
		Firmware available at web site
PC requirement		10Mbps / 100Mbps Base-T, RJ-45
Network protocols		OS : Windows 2000, Windows XP, Windows Vista, Windows 7, Windows 8
		Browser : Windows Internet Explorer 6.0 or above
		CPU : intel pentium 4 1.8GHz or above
		RAM : 1GB or above, independent display card
Mobile phone		IP, TCP, UDP, HTTP, SMTP, NTP, DDNS, UPnP, FTP, ARP, DHCP, PPPoE, DNS, RTSP, RTCP, Telnet, ICMP, IGMP, ONVIF Profile S, SNMP, SIP, Bonjour
System integration		iPhone, iPad, and Android support
Central management system		ONVIF & LILIN HTTP API
Video display		CMX 3.6 / NAV 1.0 support
OS		LILIN Universal ActiveX & LILIN Java Applet
Two-way audio		Embedded Linux 2.6.32
SD card recording		G.711 / PCM
Alarm input / output		Support SD/SDHC card for circular recording (card is not included)
		Digital 1 input (TTL, +3 – 5VDC) / 1 Output (MOS Relay contact N.O., Load max. 40VDC/300mA)





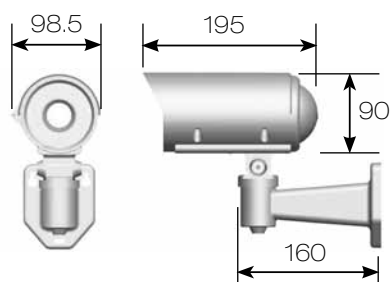
As with all Pro series cameras, the Day & Night 1080P HD Vari-Focal IR IP Camera IPR7722X incorporates Sense up+, a unique technology that successfully delivers stunning video in low-light conditions. Utilizing intelligent image signal processing, AGC control, and 3D Noise Reduction, this model successfully delivers the ultimate low-light image without motion blur. The IPR7722X is capable of producing four independent video streams, different streams can be set for different applications, depending on the individual user requirements. The IP66-rated housing is designed to help the camera body withstand rain and dust and ensures operation under a multitude of harsh weather conditions.

FEATURES :

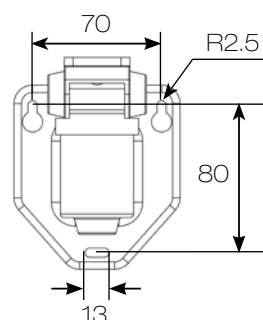
- Full HD 2 megapixel CMOS image sensor
- True H.264 AVC/MPEG-4 part 10 real-time Video compression
- H.264 and Motion JPEG multi-profile Video streaming
- 3D Noise Reduction (MCTF)
- 2D WDR function
- Digital PTZ supported
- Face / tampering / audio / motion / alarm detection
- Cable managed housing and bracket
- High efficiency IR LED, Radiant distance up to 35m
- Day & Night (IR cut removable)
- 2-way audio supported
- Digital I/O : 1 in, 1 out
- ONVIF supported

DIMENSIONS : (Unit : mm)

Body : 98.5 x 90 x 195(W x H x D) Bracket : 160mm(L)



INSTALLATION HOLE SITE DIAGRAM :



SPECIFICATION :

Name		Day & Night 1080P HD Vari-focal IR IP Camera	
Model		IPR7722ESX3.6	
Lens	Focal length		3.3 – 12 mm
	Iris		F1.4
	Angle of view	H	79.3° – 29.8°
		V	59.4° – 22.4°
D		99° – 37.3°	
Pick up element		1/2.7" CMOS image sensor	
Effective pixels		1920 (H) x 1080 (V) = 2,073,600 (pixel)	
Chip size		5.856mm (H) x 3.276mm (V)	
Scanning system		Progressive scan	
Infrared cut filter		Auto / schedule / day (color) / night (mono)	
Min. illumination		0.1 Lux at F1.4 (Low light mode) / 0 Lux with IR LED on	
White balance		Auto / tungsten / indoor / fluorescents1 / fluorescents2 / outdoor1 / outdoor2	
Back light compensation		Off / on	
Electrical shutter		1/30s – 1/8000s	
Sense up		Off / 1 frame / 2 frames / 3 frames / 7 frames	
Sense up +		Yes	
Auto gain control		36 dB variable gain	
3D Noise Reduction		Off / 1 – 32 selectable	
2D WDR		Off / on	
Privacy masking		Off / on (4 zones)	
Image effects		Brightness, Contrast, Hue, Saturation, Sharpness, Mirror, Flip	
Live Video output		CVBS 1.0Vp-p, 75 ohm, BNC connector	
Audio in / output		Mono, 1.4 Vp-p , 50 K Ω , terminal connector	
IP rating		IP66	
Window		\varnothing 72 heat resistant glass	
Infrared LED	Peak wavelength		850nm
	Beam spread		30°
	Radiant distance		35M
Operating temperature		-40°C – +50°C (-40°F – 122°F)	
Dimension		Body : 98.5mm(W) x 90mm(H) x 195mm(D) , Bracket : 160mm(L)	
Weight		1450g	
Power supply		DC12V \pm 10% / PoE (IEEE 802.3af compliant)	
Power consumption		DC12V, 10.5W / PoE, 12W	

Network		
Video compression		H.264 , Motion JPEG
Resolution		1080P(1920 x 1080), 720P(1280 x 720), D1(720 x 480), CIF(352 x 240)
Multiple profile	Profile #1	H.264 : up to 30 FPS @ 1920 x 1080, MJPEG : up to 30 FPS @ 720 x 480
	Profile #2	H.264 : up to 30 FPS @ 1280 x 720, MJPEG : up to 30 FPS @ 352 x 240
	Profile #3	H.264 : up to 30 FPS @ 1920 x 1080, MJPEG : up to 30 FPS @ 1280 x 720
	Profile #4	H.264 : up to 30 FPS @ 720 x 480, MJPEG : up to 15 FPS @ 1920 x 1080
Video streaming		RTP/HTTP, RTP/TCP, RTP/UDP, Multicast
Video bitrate		128Kbps – 5Mbps Frame rate and bit rate controllable on-the-fly VBR / CBR / GOP supported
Security		Base64 HTTP encryption Multiple user access levels with password protection 10 user accounts available
Users		8 simultaneous users
ePTZ & digital zoom		Yes, ROI is supported
OSD		Text overlay for date, time, and camera name
Alarm function		Alarm / motion / tampering / face / alarm detection triggering recording into SD card Image upload over FTP and E-mail by face / tampering / audio / motion detection
CPU, memory		Embedded SoC ARM11, 528MHz, 256MB DDR2, 256MB flash memory
Maintenance		Firmware update via HTTP Firmware available at web site
Network interface		10Mbps / 100Mbps Base-T, RJ-45
PC requirement		OS : Windows 2000, Windows XP, Windows Vista, Windows 7, Windows 8 Browser : Windows Internet Explorer 6.0 or above CPU : intel pentium 4 1.8GHz or above RAM : 1GB or above, independent display card
Network protocols		IP, TCP, UDP, HTTP, SMTP, NTP, DDNS, UPnP, FTP, ARP, DHCP, PPPoE, DNS, RTSP, RTCP, Telnet, ICMP, IGMP, ONVIF Profile S, SNMP, SIP, Bonjour
Mobile phone		iPhone, iPad, and Android support
System integration		ONVIF & LILIN HTTP API
Central management system		CMX 3.6 / NAV 1.0 support
Video display		LILIN Universal ActiveX & LILIN Java Applet
OS		Embedded Linux 2.6.32
Two-way audio		G.711 / PCM
SD card recording		Support Micro SD/SDHC card for circular recording (card is not included)
Alarm input / output		Digital 1 input (TTL, +3 – 5VDC) / 1 Output (MOS Relay contact N.O., Load max. 40VDC/300mA)





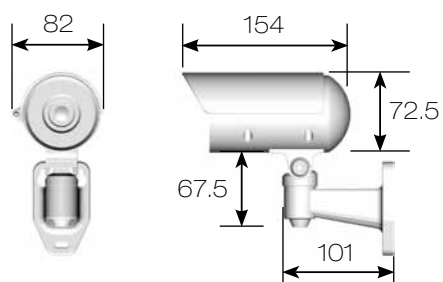
As with all Pro series cameras, the Day & Night 1080P HD IR IP Camera IPR722 incorporates Sense up+, a unique technology that successfully delivers stunning video in low-light conditions. Utilizing intelligent image signal processing, AGC control, and 3D Noise Reduction, this model successfully delivers the ultimate low-light image without motion blur. The IPR722 is capable of producing four independent video streams, different streams can be set for different applications, depending on the individual user requirements. The IP66-rated housing is designed to help the camera body withstand rain and dust and ensures operation under a multitude of harsh weather conditions.

FEATURES :

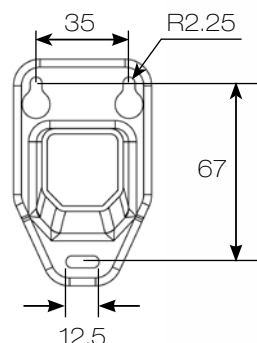
- Full HD 2 megapixel CMOS image sensor
- True H.264 AVC/MPEG-4 part 10 real-time Video compression
- H.264 and Motion JPEG multi-profile Video streaming
- 3D Noise Reduction (MCTF)
- 2D WDR function
- Digital PTZ supported
- Face / tampering / motion detection
- High efficiency IR LED, Radiant distance up to 30m
- Day & Night (IR cut removable)
- ONVIF supported
- Digital I/O : 1 in, 1 out

DIMENSIONS : (Unit : mm)

Body : 82(W) x 72.5(H) x 154(D) Bracket: 101(L)



INSTALLATION HOLE SITE DIAGRAM :



SPECIFICATION :

Name		Day & Night 1080P HD IR IP Camera		
Model		IPR722ES4.3	IPR722ES6	
Lens	Focal length	4.3mm	6mm	
	Iris	F1.6	F1.8	
	Angle of view	H	84°	57.6°
		V	45.2°	31.4°
D		100.6°	67.3°	
Pick up element		1/2.7" CMOS image sensor		
Effective pixels		1920 (H) x 1080 (V) = 2,073,600 (pixel)		
Chip size		5.856mm (H) x 3.276mm (V)		
Scanning system		Progressive scan		
Infrared cut filter		Auto / schedule / day (color) / night (mono)		
Min. illumination		0.15 Lux at F1.6 (Low light mode) / 0 Lux with IR LED on	0.18 Lux at F1.8 (Low light mode) / 0 Lux with IR LED on	
White balance		Auto / tungsten / indoor / fluorescents1 / fluorescents2 / outdoor1 / outdoor2		
Back light compensation		Off / on		
Electronic shutter		1/30s - 1/8000s		
Sense up		Off / 1 frame / 2 frames / 3 frames / 7 frames		
Sense up +		Yes		
Auto gain control		36 dB variable gain		
3D Noise Reduction		Off / 1 - 32 selectable		
2D WDR		Off / on		
Privacy masking		Off / on (4 zones)		
Image effects		Brightness, Contrast, Hue, Saturation, Sharpness, Mirror, Flip		
IP rating		IP66		
Window		Ø 65 heat resistant glass		
Infrared LED	Peak wavelength	850nm		
	Beam spread	30°		
	Radiant distance	30M		
Operating temperature		-40°C - +50°C (-40°F - 122°F)		
Dimension		Body : 82mm(W) x 72.5mm(H) x 154mm(D) Bracket : 101mm(L)		
Weight		600g		
Power supply		DC12V ±10% / PoE (IEEE 802.3af compliant)		
Power consumption		DC12V, 9W / PoE, 10.2W		

Network		
Video compression		H.264 , Motion JPEG
Resolution		1080P(1920 x 1080), 720P(1280 x 720), D1(720 x 480), CIF(352 x 240)
Multiple profile	Profile #1	H.264 : up to 30 FPS @ 1920 x 1080, MJPEG : up to 30 FPS @ 720 x 480
	Profile #2	H.264 : up to 30 FPS @ 1280 x 720, MJPEG : up to 30 FPS @ 352 x 240
	Profile #3	H.264 : up to 30 FPS @ 1920 x 1080, MJPEG : up to 30 FPS @ 1280 x 720
	Profile #4	H.264 : up to 30 FPS @ 720 x 480, MJPEG : up to 15 FPS @ 1920 x 1080
Video streaming		RTP/HTTP, RTP/TCP, RTP/UDP, Multicast
Video bitrate		128Kbps - 5Mbps Frame rate and bit rate controllable on-the-fly VBR / CBR / GOP supported
Security		Base64 HTTP encryption Multiple user access levels with password protection 10 user accounts available
Users		8 simultaneous users
ePTZ & digital zoom		Yes, ROI is supported
OSD		Text overlay for date, time, and camera name
Alarm functions		Motion / tampering / face detection triggering recording into SD card Image upload over FTP and E-mail by face / tampering / motion detection
CPU, memory		Embedded SoC ARM11, 528MHz, 256MB DDR2, 256MB flash memory
Maintenance		Firmware update via HTTP Firmware available at web site
Network interface		10Mbps / 100Mbps Base-T, RJ-45
PC requirement		OS : Windows 2000, Windows XP, Windows Vista, Windows 7, Windows 8 Browser : Windows Internet Explorer 6.0 or above CPU : intel pentium 4 1.8GHz or above RAM : 1GB or above, independent display card
Network protocols		IP, TCP, UDP, HTTP, SMTP, NTP, DDNS, UPnP, FTP, ARP, DHCP, PPPoE, DNS, RTSP, RTCP, Telnet, ICMP, IGMP, ONVIF Profile S, SNMP, SIP, Bonjour
Mobile phone		iPhone, iPad, and Android support
System integration		ONVIF & LILIN HTTP API
Central management system		CMX 3.6 / NAV 1.0 support
Video display		LILIN Universal ActiveX & LILIN Java Applet
OS		Embedded Linux 2.6.32
SD card recording		Support Micro SD/SDHC card for circular recording (card is not included)



DAY & NIGHT 1080P HD VANDAL RESISTANT DOME IR IP CAMERA



As with all Pro series cameras, Day & Night 1080P HD Vandal Resistant Dome IR IP Camera IPR6122X incorporates Sense up+, a unique technology that successfully delivers stunning video in low-light conditions. Utilizing intelligent image signal processing, AGC control, and 3D Noise Reduction, this model successfully delivers the ultimate low-light image without motion blur. The IPR6122X is capable of producing four independent video streams, different streams can be set for different applications, depending on the individual user requirements. The IP67-rated housing is designed to help the camera body withstand rain and dust and ensures operation under a multitude of harsh weather conditions.

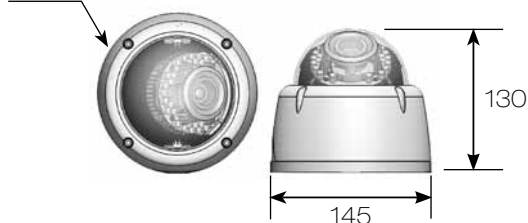
FEATURES :

- Full HD 2 megapixel CMOS image sensor
- True H.264 AVC/MPEG-4 part 10 real-time Video compression
- H.264 and Motion JPEG multi-profile Video streaming
- 3D Noise Reduction (MCTF)
- 2D WDR function
- Digital PTZ supported
- Face / tampering / audio / motion / alarm detection
- Impact Resistant Polycarbonate Dome Cover
- High efficiency IR LED, Radiant distance up to 25m
- Day & Night (IR cut removable)
- 2-way audio supported
- Digital I/O : 1 in, 1 out
- ONVIF supported

DIMENSIONS : (Unit : mm)

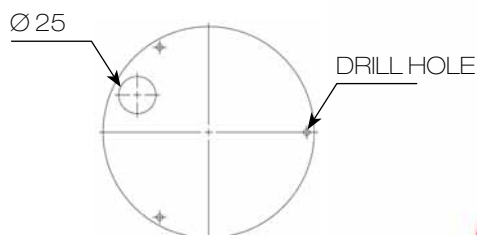
Ø145 x 130

Ø145



INSTALLATION HOLE SITE DIAGRAM :

Ø25



SPECIFICATION :

Name		Day & Night 1080P HD Vandal Resistant Dome IR IP Camera	
Model		IPR6122ESX3.6	
Lens	Focal length	3.3 – 12 mm	
	Iris	F1.4	
	Angle of view	H	79.3° – 29.8°
		V	59.4° – 22.4°
D		99° – 37.3°	
Pick up element		1/2.7" CMOS image sensor	
Effective pixels		1920 (H) x 1080 (V) = 2,073,600 (pixel)	
Chip size		5.856mm (H) x 3.276mm (V)	
Scanning system		Progressive scan	
Infrared cut filter		Auto / schedule / day (color) / night (mono)	
Min. illumination		0.1 Lux at F1.4 (Low light mode) / 0 Lux with IR LED on	
White balance		Auto / tungsten / indoor / fluorescents1 / fluorescents2 / outdoor1 / outdoor2	
Back light compensation		Off / on	
Electronic shutter		1/30s – 1/8000s	
Sense up		Off / 1 frame / 2 frames / 3 frames / 7 frames	
Sense up +		Yes	
Auto gain control		36 dB variable gain	
3D Noise Reduction		Off / 1 - 32 selectable	
2D WDR		Off / on	
Privacy masking		Off / on (4 zones)	
Image effects		Brightness, Contrast, Hue, Saturation, Sharpness, Mirror, Flip	
Live Video output		CVBS 1.0Vp-p, 75 ohm, RCA connector	
Audio in / output		Mono, 1.4 Vp-p , 50 K Ω , terminal connector	
IP rating		IP67	
Vandal resistant rating		IK10	
Infrared LED	Peak wavelength	850nm	
	Beam spread	30°	
	Radiant distance	25M	
Operating temperature		-40°C – +50°C (-40°F – 122°F)	
Dimension		Ø 145 x 130mm	
Weight		1000g	
Power supply		DC12V \pm 10% / PoE (IEEE 802.3af compliant)	
Power consumption		DC12V, 9W / PoE, 10.2W	

Network			
Video compression		H.264 , Motion JPEG	
Resolution		1080P(1920 x 1080), 720P(1280 x 720), D1(720 x 480), CIF(352 x 240)	
Multiple profile	Profile #1	H.264 : up to 30 FPS @ 1920 x 1080, MJPEG : up to 30 FPS @ 720 x 480	
	Profile #2	H.264 : up to 30 FPS @ 1280 x 720, MJPEG : up to 30 FPS @ 352 x 240	
	Profile #3	H.264 : up to 30 FPS @ 1920 x 1080, MJPEG : up to 30 FPS @ 1280 x 720	
	Profile #4	H.264 : up to 30 FPS @ 720 x 480, MJPEG : up to 15 FPS @ 1920 x 1080	
Video streaming		RTP/HTTP, RTP/TCP, RTP/UDP, Multicast	
Video bitrate	128Kbps – 5Mbps		
	Frame rate and bit rate controllable on-the-fly		
	VBR / CBR / GOP supported		
Security	Base64 HTTP encryption		
	Multiple user access levels with password protection		
	10 user accounts available		
Users		8 simultaneous users	
ePTZ & digital zoom		Yes, ROI is supported	
OSD		Text overlay for date, time, and camera name	
Alarm function		Alarm / motion / tampering / face / alarm detection triggering recording into SD card Image upload over FTP and E-mail by face / tampering / audio / motion detection	
CPU, memory		Embedded SoC ARM11, 528MHz, 256MB DDR2, 256MB flash memory	
Maintenance		Firmware update via HTTP Firmware available at web site	
Network interface		10Mbps / 100Mbps Base-T, RJ-45	
PC requirement	OS : Windows 2000, Windows XP, Windows Vista, Windows 7, Windows 8		
	Browser : Windows Internet Explorer 6.0 or above		
	CPU : intel pentium 4 1.8GHz or above		
	RAM : 1GB or above, independent display card		
Network protocols		IP, TCP, UDP, HTTP, SMTP, NTP, DDNS, UPnP, FTP, ARP, DHCP, PPPoE, DNS, RTSP, RTCP, Telnet, ICMP, IGMP, ONVIF Profile S, SNMP, SIP, Bonjour	
Mobile phone		iPhone, iPad, and Android support	
System integration		ONVIF & LILIN HTTP API	
Central management system		CMX 3.6 / NAV 1.0 support	
Video display		LILIN Universal ActiveX & LILIN Java Applet	
OS		Embedded Linux 2.6.32	
Two-way audio		G.711 / PCM	
SD card recording		Support Micro SD/SDHC card for circular recording (card is not included)	
Alarm input / output		Digital 1 input (TTL, +3 – 5VDC) / 1 Output (MOS Relay contact N.O., Load max. 40VDC/300mA)	



DAY & NIGHT 1080P HD VANDAL RESISTANT DOME IR IP CAMERA



As with all Pro series cameras, the Day & Night 1080P HD VR Dome IR IP Camera IPR320X incorporates Sense up+, a unique technology that successfully delivers stunning video in low-light conditions. Utilizing intelligent image signal processing, AGC control, and 3D Noise Reduction, this model successfully delivers the ultimate low-light image without motion blur. The IPR320X is capable of producing four independent video streams, different streams can be set for different applications, depending on the individual user requirements. The IP66-rated housing is designed to help the camera body withstand rain and dust and ensures operation under a multitude of harsh weather conditions.

FEATURES :

- Full HD 2 megapixel CMOS image sensor
- True H.264 AVC/MPEG-4 part 10 real-time Video compression
- H.264 and Motion JPEG multi-profile Video streaming
- 3D Noise Reduction (MCTF)
- 2D WDR function
- Digital PTZ supported
- Face / tampering / motion detection
- High efficiency IR LED, Radiant distance up to 25m
- Innovative external adjustment with waterproof for zoom and focus of Vari-Focal Lens
- Day & Night (IR cut removable)
- ONVIF supported

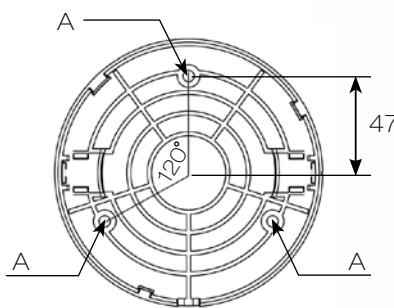
DIMENSIONS : (Unit : mm)

Ø 130 x 115

Ø 130



INSTALLATION HOLE SITE DIAGRAM :



A (M3.0*25, wooden screw)

SPECIFICATION :

Name		Day & Night 1080P HD Vandal Resistant Dome IR IP Camera	
Model		IPR320ESX3.6	
Lens	Focal length		3.3 – 12 mm
	Iris		F1.4
	Angle of view	H	79.3° – 29.8°
		V	59.4° – 22.4°
D		99° – 37.3°	
Pick up element		1/2.7" CMOS image sensor	
Effective pixels		1920 (H) x 1080 (V) = 2,073,600 (pixel)	
Chip size		5.856mm (H) x 3.276mm (V)	
Scanning system		Progressive scan	
Infrared cut filter		Auto / schedule / day (color) / night (mono)	
Min. illumination		0.1 Lux at F1.4 (Low light mode) / 0 Lux with IR LED on	
White balance		Auto / tungsten / indoor / fluorescents1 / fluorescents2 / outdoor1 / outdoor2	
Back light compensation		Off / on	
Electrical shutter		1/30s – 1/8000s	
Sense up		Off / 1 frame / 2 frames / 3 frames / 7 frames	
Sense up +		Yes	
Auto gain control		36 dB variable gain	
3D Noise Reduction		Off / 1 – 32 selectable	
2D WDR		Off / on	
Privacy masking		Off / on (4 zones)	
Image effects		Brightness, Contrast, Hue, Saturation, Sharpness, Mirror, Flip	
IP rating		IP66	
Vandal resistant rating		IK7	
Infrared LED	Peak wavelength		850nm
	Beam spread		30°
	Radiant distance		25M
Operating temperature		-40°C – +50°C (-40°F – 122°F)	
Dimension		Ø 130 x 115mm	
Weight		1000g	
Power supply		PoE (IEEE 802.3af compliant)	
Power consumption		10.2W	

Network		
Video compression		H.264 , Motion JPEG
Resolution		1080P(1920 x 1080), 720P(1280 x 720), D1(720 x 480), CIF(352 x 240)
Multiple profile	Profile #1	H.264 : up to 30 FPS @ 1920 x 1080, MJPEG : up to 30 FPS @ 720 x 480
	Profile #2	H.264 : up to 30 FPS @ 1280 x 720, MJPEG : up to 30 FPS @ 352 x 240
	Profile #3	H.264 : up to 30 FPS @ 1920 x 1080, MJPEG : up to 30 FPS @ 1280 x 720
	Profile #4	H.264 : up to 30 FPS @ 720 x 480, MJPEG : up to 15 FPS @ 1920 x 1080
Video streaming		RTP/HTTP, RTP/TCP, RTP/UDP, Multicast
Video bitrate		128Kbps – 5Mbps
		Frame rate and bit rate controllable on-the-fly
		VBR / CBR / GOP supported
Security		Base64 HTTP encryption
		Multiple user access levels with password protection
		10 user accounts available
Users		8 simultaneous users
ePTZ & digital zoom		Yes, ROI is supported
OSD		Text overlay for date, time, and camera name
Alarm functions		Image upload over FTP and E-mail by face / tampering / motion detection
CPU, memory		Embedded SoC ARM11, 528MHz, 256MB DDR2, 256MB flash memory
Maintenance		Firmware update via HTTP
		Firmware available at web site
Network interface		10Mbps / 100Mbps Base-T, RJ-45
PC requirement		OS : Windows 2000, Windows XP, Windows Vista, Windows 7, Windows 8
		Browser : Windows Internet Explorer 6.0 or above
		CPU : intel pentium 4 1.8GHz or above
		RAM : 1GB or above, independent display card
Network protocols		IP, TCP, UDP, HTTP, SMTP, NTP, DDNS, UPnP, FTP, ARP, DHCP, PPPoE, DNS, RTSP, RTCP, Telnet, ICMP, IGMP, ONVIF Profile S, SNMP, SIP, Bonjour
Mobile phone		iPhone, iPad, and Android support
System integration		ONVIF & LILIN HTTP API
Central management system		CMX 3.6 / NAV 1.0 support
Video display		LILIN Universal ActiveX & LILIN Java Applet
OS		Embedded Linux 2.6.32



As with all Pro series cameras, Day & Night 1080P HD Vari-Focal dome IR IP camera IPR2322X incorporates Sense up+, a unique technology that successfully delivers stunning video in low-light conditions. Utilizing intelligent image signal processing, AGC control, and 3D Noise Reduction, this model successfully delivers the ultimate low-light image without motion blur. The IPR2322X is capable of producing four independent video streams, different streams can be set for different applications, depending on the individual user requirements.

FEATURES :

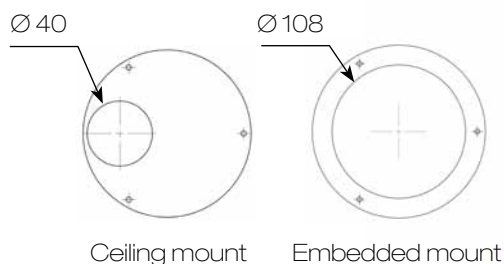
- Full HD 2 megapixel CMOS image sensor
- True H.264 AVC/MPEG-4 part 10 real-time Video compression
- H.264 and Motion JPEG multi-profile Video streaming
- 3D Noise Reduction (MCTF)
- 2D WDR function
- Digital PTZ supported
- Face / tampering / audio / motion / alarm detection
- Ceiling mount and Embedded mount installation
- High efficiency IR LED, Radiant distance up to 25m
- Day & Night (IR cut removable)
- 2-way audio supported
- Digital I/O : 1 in, 1 out
- ONVIF supported

DIMENSIONS : (Unit : mm)

Ø150 x 134



INSTALLATION HOLE SITE DIAGRAM :



SPECIFICATION :

Name		Day & Night 1080P HD Vari-focal Dome IR IP Camera	
Model		IPR2322ESX3.6	
Lens	Focal length		3.3 – 12 mm
	Iris		F1.4
	Angle of view	H	79.3° – 29.8°
		V	59.4° – 22.4°
D		99° – 37.3°	
Pick up element		1/2.7" CMOS image sensor	
Effective pixels		1920 (H) x 1080 (V) = 2,073,600 (pixel)	
Chip size		5.856mm (H) x 3.276mm (V)	
Scanning system		Progressive scan	
Infrared cut filter		Auto / schedule / day (color) / night (mono)	
Min. illumination		0.1 Lux at F1.4 (Low light mode) / 0 Lux with IR LED on	
White balance		Auto / tungsten / indoor / fluorescents1 / fluorescents2 / outdoor1 / outdoor2	
Back light compensation		Off / on	
Electrical shutter		1/30s – 1/8000s	
Sense up		Off / 1 frame / 2 frames / 3 frames / 7 frames	
Sense up +		Yes	
Auto gain control		36 dB variable gain	
3D Noise Reduction		Off / 1 – 32 selectable	
2D WDR		Off / on	
Privacy masking		Off / on (4 zones)	
Image effects		Brightness, Contrast, Hue, Saturation, Sharpness, Mirror, Flip	
Live Video output		CVBS 1.0Vp-p, 75 ohm, RCA connector	
Audio in / output		Mono, 1.4 Vp-p , 50 K Ω , 3.5mm phone jack	
Infrared LED	Peak wavelength		850nm
	Beam spread		30°
	Radiant distance		25M
Operating temperature		-25°C – +50°C (-13°F – 122°F)	
Dimension		Ø 150 x 134mm	
Weight		640g	
Power supply		DC12V \pm 10% / PoE (IEEE 802.3af compliant)	
Power consumption		DC12V, 9W / PoE, 10.2W	

Network			
Video compression		H.264 , Motion JPEG	
Resolution		1080P(1920 x 1080), 720P(1280 x 720), D1(720 x 480), CIF(352 x 240)	
Multiple profile	Profile #1	H.264 : up to 30 FPS @ 1920 x 1080, MJPEG : up to 30 FPS @ 720 x 480	
	Profile #2	H.264 : up to 30 FPS @ 1280 x 720, MJPEG : up to 30 FPS @ 352 x 240	
	Profile #3	H.264 : up to 30 FPS @ 1920 x 1080, MJPEG : up to 30 FPS @ 1280 x 720	
	Profile #4	H.264 : up to 30 FPS @ 720 x 480, MJPEG : up to 15 FPS @ 1920 x 1080	
Video streaming		RTP/HTTP, RTP/TCP, RTP/UDP, Multicast	
Video bitrate		128Kbps – 5Mbps	
		Frame rate and bit rate controllable on-the-fly VBR / CBR / GOP supported	
Security		Base64 HTTP encryption	
		Multiple user access levels with password protection	
		10 user accounts available	
Users		8 simultaneous users	
ePTZ & digital zoom		Yes, ROI is supported	
OSD		Text overlay for date, time, and camera name	
Alarm function		Alarm / motion / tampering / face / alarm detection triggering recording into SD card	
		Image upload over FTP and E-mail by face / tampering / audio / motion detection	
CPU, memory		Embedded SoC ARM11, 528MHz, 256MB DDR2, 256MB flash memory	
Maintenance		Firmware update via HTTP	
		Firmware available at web site	
Network interface		10Mbps / 100Mbps Base-T, RJ-45	
PC requirement		OS : Windows 2000, Windows XP, Windows Vista, Windows 7, Windows 8	
		Browser : Windows Internet Explorer 6.0 or above	
		CPU : intel pentium 4 1.8GHz or above	
		RAM : 1GB or above, independent display card	
Network protocols		IP, TCP, UDP, HTTP, SMTP, NTP, DDNS, UPnP, FTP, ARP, DHCP, PPPoE, DNS, RTSP, RTCP, Telnet, ICMP, IGMP, ONVIF Profile S, SNMP, SIP, Bonjour	
Mobile phone		iPhone, iPad, and Android support	
System integration		ONVIF & LILIN HTTP API	
Central management system		CMX 3.6 / NAV 1.0 support	
Video display		LILIN Universal ActiveX & LILIN Java Applet	
OS		Embedded Linux 2.6.32	
Two-way audio		G.711 / PCM	
SD card recording		Support Micro SD/SDHC card for circular recording (card is not included)	
Alarm input / output		Digital 1 input (TTL, +3 – 5VDC) / 1 Output (MOS Relay contact N.O., Load max. 40VDC/300mA)	



As with Pro series cameras, the Day & Night 1080P HD IR IP Camera IPR7922E4/6 incorporates Sense Up+, a unique technology that successfully delivers stunning video in low-light conditions. Utilizing intelligent image signal processing, Auto Gain Control, and 3D Noise Reduction. The IPR7922E4/6 is capable of producing four independent video streams, different streams can be set for different applications, depending on the individual user requirements.

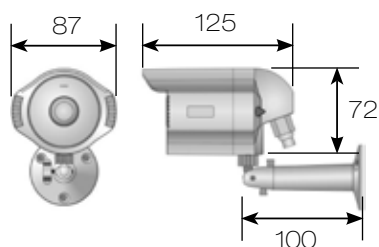
The IP67-rated housing is designed to help the camera body withstand rain and dust and ensures operation under a multitude of harsh weather conditions. Further features include Region of Interest (ROI), back light compensation, digital PTZ (pan-tilt-zoom), PoE (IEEE 802.3 compliant) and alarm activation by motion, tampering, and face detection. IPR7922E4/6 camera is shipped with VMS software – LILIN Navigator that records and manages up to 108 channels of video recordings.

FEATURES :

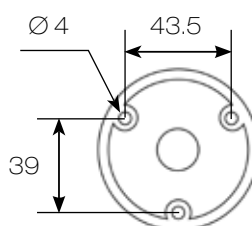
- Full HD 2 megapixel CMOS image sensor
- True H.264 AVC/MPEG-4 part 10 real-time Video compression
- H.264 and Motion JPEG multi-profile Video streaming
- 3D Noise Reduction (MCTF)
- 2D WDR function
- Digital PTZ supported
- Face / tampering / Motion detection alarm function
- High efficiency IR LED, Radiant distance up to 20m
- Day & Night (IR cut removable)
- ONVIF profile S supported

DIMENSIONS : (Unit : mm)

Body: 87mm (W) x 72mm (H) x 125mm (D)
Bracket: 100mm (L)



INSTALLATION HOLE SITE DIAGRAM :



SPECIFICATION :

Name		Day & night 1080P HD IR IP camera	
Model		IPR7922E4	IPR7922E6
Lens	Focal length		4mm
	Iris		F1.6
	Angle of view	H	84.8°
		V	45.2°
D		100.6°	
Pick up element		1/2.7" CMOS image sensor	
Effective Pixels		1,920 (H) x 1,080 (V) = 2,073,600 (pixel)	
Chip size		5.856mm (H) x 3.276mm (V)	
Scanning System		Progressive Scan	
Infrared cut filter		Auto / Schedule / day (color) / night (mono)	
Minimum illumination		0.15 Lux at F1.6 (Low light mode) / 0 Lux with IR LED on	0.18 Lux at F1.8 (Low light mode) / 0 Lux with IR LED on
White balance		Auto / tungsten / indoor / fluorescents1 / fluorescents2 / outdoor1 / outdoor2	
Back light compensation		Off / On	
Electronic shutter		1/30s - 1/8000s	
Sense up		Off / 1 frame / 2 frames / 3 frames / 7 frames	
Sense up +		Yes	
Auto gain control		36 dB Variable Gain	
3D Noise Reduction		Off / 1-32 selectable	
2D WDR		Off / On	
Privacy masking		Off / On (4 zones)	
Image effects		Brightness, Contrast, Hue, Saturation, Sharpness, Mirror, Flip	
IP Rating		IP67	
Window		Ø 63.8 heat resistant glass	
Infrared LED	Peak wavelength		850nm
	Beam spread		30°
	Radiant distance		20M
Operation Temperature		- 40°C - + 50°C (-40°F - 122°F)	
Dimension		Body: 87mm (W) x 72mm (H) x 125mm (D), Bracket: 100mm (L)	
Weight		630g	
Power supply		DC12V ±10% / PoE (IEEE 802.3af compliant)	
Power consumption		DC12V, 5.6W / PoE, 6.5W	

Network	
Video compression	
H.264, Motion JPEG	
Resolution	
1080P(1920 x 1080), 720P(1280 x 720), D1(720 x 480), CIF(352 x 240)	
Multiple profile	Profile #1
	Profile #2
	Profile #3
	Profile #4
Video streaming	
RTP/HTTP, RTP/TCP, RTP/UDP, Multicast	
Video bitrate	
128 Kbps to 5 Mbps	
Frame rate and bit rate controllable on-the-fly	
VBR / CBR / GOP supported	
Security	
Base64 HTTP encryption	
Multiple user access levels with password protection	
10 user accounts available	
Users	
8 simultaneous users	
ePTZ & digital zoom	
Yes, ROI is supported	
OSD	
Text overly for date, time , camera name	
Alarm Function	
Motion / tampering / face detection triggering recording into SD card	
Image upload over FTP and E-mail by face / tampering / motion detection	
CPU, memory	
Embedded SoC ARM11,528MHz, 256MB DDR2, 256MB flash memory	
Maintenance	
Firmware update via HTTP	
Firmware available at web site	
Network Interface	
10Mbps / 100Mbps Base-T, RJ-45	
PC requirement	
OS: Windows 2000 , Windows XP , Windows Vista, Windows 7, Windows 8	
Browser : Windows Internet Explorer 6.0 or above	
CPU : Intel Pentium 4 1.8GHz or above	
RAM : 1GB or above, Independent Display Card	
Network protocols	
IP, TCP, UDP, HTTP, SMTP, NTP, DDNS, UPnP, FTP, ARP, DHCP, PPPoE, DNS, Telnet, RTSP, RTCP, ICMP, IGMP, SNMP, SIP, ONVIF profile S, Bonjour	
Mobile phone and PDA	
iPhone, iPad and Android support	
System integration	
ONVIF & LILIN HTTP API	
CMX	
CMX HD 3.6 / Navigator 1.0 support	
Video display	
LILIN Universal ActiveX & LILIN Java Applet	
OS	
Embedded Linux 2.6.32	
SD Card Recording	
Support Micro SD / SDHC card for circular recording (card is not included)	



As with all Pro series cameras, Day & Night 1080P HD vari-focal IR IP camera IPR2122 incorporates Sense up+, a unique technology that successfully delivers stunning video in low-light conditions. Featuring high-efficiency IR-LEDs provide 16 meters of light. Utilizing intelligent image signal processing, AGC control, and 3D Noise Reduction, this model successfully delivers the ultimate low-light image without motion blur. The IPR2122 is capable of producing four independent video streams, different streams can be set for different applications, depending on the individual user requirements.

FEATURES :

- Full HD 2 megapixel CMOS image sensor
- True H.264 AVC/MPEG-4 part 10 real-time Video compression
- H.264 and Motion JPEG multi-profile Video streaming
- 3D Noise Reduction (MCTF)
- 2D WDR function
- Digital PTZ supported
- Face / tampering / motion detection
- 3-Axis camera construction
- Screw-on design dome cover for easy and secure installation
- High efficiency IR LED, Radiant distance up to 16m
- Day & Night (IR cut removable)
- ONVIF supported

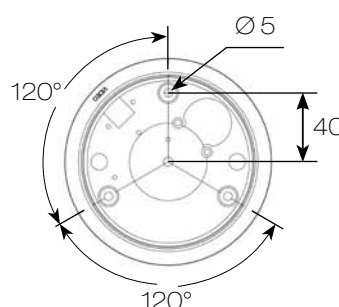
DIMENSIONS : (Unit : mm)

Ø120 x 102

Ø120



INSTALLATION HOLE SITE DIAGRAM :



SPECIFICATION :

Name		Day & Night 1080P HD Vari-focal IR IP Camera		
Model		IPR2122ES4.3	IPR2122ES6	
Lens	Focal length	4.3 mm	6 mm	
	Iris	F1.6	F1.8	
	Angle of view	H	84.8°	57.6°
		V	45.2°	31.4°
D		100.6°	67.3°	
Pick up element		1/2.7" CMOS image sensor		
Effective pixels		1920 (H) x 1080 (V) = 2,073,600 (pixel)		
Chip size		5.856mm (H) x 3.276mm (V)		
Scanning system		Progressive scan		
Infrared cut filter		Auto / schedule / day (color) / night (mono)		
Min. illumination		0.15 Lux at F1.6 (Low light mode) / 0 Lux with IR LED on	0.18 Lux at F1.8 (Low light mode) / 0 Lux with IR LED on	
White balance		Auto / tungsten / indoor / fluorescents1 / fluorescents2 / outdoor1 / outdoor2		
Back light compensation		Off / on		
Electrical shutter		1/30s - 1/8000s		
Sense up		Off / 1 frame / 2 frames / 3 frames / 7 frames		
Sense up +		Yes		
Auto gain control		36 dB variable gain		
3D Noise Reduction		Off / 1 - 32 selectable		
2D WDR		Off / on		
Privacy masking		Off / on (4 zones)		
Image effects		Brightness, Contrast, Hue, Saturation, Sharpness, Mirror, Flip		
Infrared LED	Peak wavelength	850nm		
	Beam spread	30°		
	Radiant distance	16M		
Operating temperature		-25°C - +50°C (-13°F - 122°F)		
Dimension		Ø 120 x 102mm		
Weight		450g		
Power supply		DC12V ±10% / PoE (IEEE 802.3af compliant)		
Power consumption		DC12V, 7.5W / PoE, 8.5W		

Network		
Video compression		H.264 , Motion JPEG
Resolution		1080P(1920 x 1080), 720P(1280 x 720), D1(720 x 480), CIF(352 x 240)
Multiple profile	Profile #1	H.264 : up to 30 FPS @ 1920 x 1080, MJPEG : up to 30 FPS @ 720 x 480
	Profile #2	H.264 : up to 30 FPS @ 1280 x 720, MJPEG : up to 30 FPS @ 352 x 240
	Profile #3	H.264 : up to 30 FPS @ 1920 x 1080, MJPEG : up to 30 FPS @ 1280 x 720
	Profile #4	H.264 : up to 30 FPS @ 720 x 480, MJPEG : up to 15 FPS @ 1920 x 1080
Video streaming		RTP/HTTP, RTP/TCP, RTP/UDP, Multicast
Video bitrate	128Kbps - 5Mbps	
	Frame rate and bit rate controllable on-the-fly	
	VBR / CBR / GOP supported	
Security	Base64 HTTP encryption	
	Multiple user access levels with password protection	
	10 user accounts available	
Users		8 simultaneous users
ePTZ & digital zoom		Yes, ROI is supported
OSD		Text overlay for date, time, and camera name
Alarm functions		Image upload over FTP and E-mail by face / tampering / motion detection
CPU, memory		Embedded SoC ARM11, 528MHz, 256MB DDR2, 256MB flash memory
Maintenance	Firmware update via HTTP	
	Firmware available at web site	
Network interface		10Mbps / 100Mbps Base-T, RJ-45
PC requirement	OS : Windows 2000, Windows XP, Windows Vista, Windows 7, Windows 8	
	Browser : Windows Internet Explorer 6.0 or above	
	CPU : intel pentium 4 1.8GHz or above	
	RAM : 1GB or above, independent display card	
Network protocols		IP, TCP, UDP, HTTP, SMTP, NTP, DDNS, UPnP, FTP, ARP, DHCP, PPPoE, DNS, RTSP, RTCP, Telnet, ICMP, IGMP, ONVIF Profile S, SNMP, SIP, Bonjour
Mobile phone		iPhone, iPad, and Android support
System integration		ONVIF & LILIN HTTP API
Central management system		CMX 3.6 / NAV 1.0 support
Video display		LILIN Universal ActiveX & LILIN Java Applet
OS		Embedded Linux 2.6.32





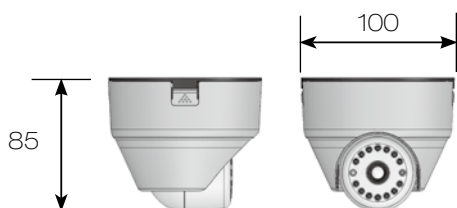
As with all Pro series cameras, Day & Night 1080P HD Vari-Focal Dome IP Camera IPR2522 incorporates Sense up+, a unique technology that successfully delivers stunning video in low-light conditions. Utilizing intelligent image signal processing, AGC control, and 3D Noise Reduction, this model successfully delivers the ultimate low-light image without motion blur. The IPR2522 is capable of producing four independent video streams, different streams can be set for different applications, depending on the individual user requirements.

FEATURES :

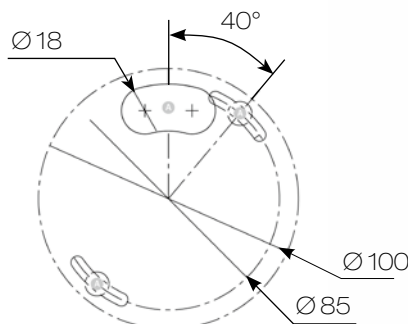
- Full HD 2 megapixel CMOS image sensor
- True H.264 AVC/MPEG-4 part 10 real-time video compression
- H.264 and Motion JPEG multi-profile video streaming
- 3D Noise Reduction (MCTF)
- 2D WDR function
- Digital PTZ supported
- Face / tampering / audio / motion / alarm detection
- Built-in highly sensitive microphone
- High efficiency IR LED, Radiant distance up to 10m
- Day & Night (IR cut removable)
- 2-way audio supported
- Digital I/O : 1 in, 1 out
- ONVIF supported

DIMENSIONS : (Unit : mm)

Ø100 x 85



INSTALLATION HOLE SITE DIAGRAM :



SPECIFICATION :

Name		Day & Night 1080P HD Dome IR IP Camera		
Model		IPR2522ES4.3	IPR2522ES6	
Lens	Focal length	4.3 mm	6 mm	
	Iris	F1.6	F1.8	
	Angle of view	H	84.8°	57.6°
		V	45.2°	31.4°
D		100.6°	67.3°	
Pick up element		1/2.7" CMOS image sensor		
Effective pixels		1920 (H) x 1080 (V) = 2,073,600 (pixel)		
Chip size		5.856mm (H) x 3.276mm (V)		
Scanning system		Progressive scan		
Infrared cut filter		Auto / Schedule / Day (Color) / Night (Mono)		
Min. Illumination		0.15 Lux at F1.6 (Low Light Mode) 0 Lux with IR LED ON	0.18 Lux at F1.8 (Low Light Mode) 0 Lux with IR LED ON	
White balance		Auto / Tungsten / Indoor / Fluorescents1 / Fluorescents2 / Outdoor1 / Outdoor2		
Back light compensation		Off / On		
Electrical shutter		1/30s - 1/8000s		
Sense up		Off / 1 Frame / 2 Frames / 3 Frames / 7 Frames		
Sense up +		Yes		
Auto gain control		36 dB Variable Gain		
3D Noise Reduction		Off / 1 - 32 Selectable		
2D WDR		Off / On		
Privacy masking		Off / On (4 zones)		
Image effects		Brightness, Contrast, Hue, Saturation, Sharpness, Mirror, Flip		
Audio in / output		Mono, 1.4 Vp-p , 50 KΩ , Terminal connector		
Infrared led	Peak wavelength	850nm		
	Beam spread	30°		
	Radiant distance	10M		
Operating temperature		-25°C - +50°C (-13°F - 122°F)		
Dimension		Ø 100 x 85mm		
Weight		280g		
Power supply		DC12V ±10% / PoE (IEEE 802.3af compliant)		
Power consumption		DC12V, 7.5W / PoE, 8.5W		

Network		
Video compression		H.264 , Motion JPEG
Resolution		1080P(1920 x 1080), 720P(1280 x 720), D1(720 x 480), CIF(352 x 240)
Multiple profile	Profile #1	H.264 : up to 30 FPS @ 1920 x 1080, MJPEG : up to 30 FPS @ 720 x 480
	Profile #2	H.264 : up to 30 FPS @ 1280 x 720, MJPEG : up to 30 FPS @ 352 x 240
	Profile #3	H.264 : up to 30 FPS @ 1920 x 1080, MJPEG : up to 30 FPS @ 1280 x 720
	Profile #4	H.264 : up to 30 FPS @ 720 x 480, MJPEG : up to 15 FPS @ 1920 x 1080
Video streaming		RTP/HTTP, RTP/TCP, RTP/UDP, Multicast
Video bitrate		128Kbps - 5Mbps Frame rate and bit rate controllable on-the-fly VBR / CBR / GOP supported
Security		Base64 HTTP encryption Multiple user access levels with password protection 10 user accounts available
Users		8 simultaneous users
Eptz & digital zoom		Yes, ROI is supported
OSD		Text overlay for date, time, and camera name
Alarm functions		Alarm / motion / tampering / face / alarm detection triggering recording into SD card Image upload over FTP and E-mail by face / tampering / audio / motion detection
CPU, memory		Embedded SoC ARM11, 528MHz, 256MB DDR2, 256MB flash memory
Maintenance		Firmware update via HTTP Firmware available at web site
Network interface		10Mbps / 100Mbps Base-T, RJ-45
PC requirement		OS : Windows 2000, Windows XP, Windows Vista, Windows 7, Windows 8, Windows 8 Browser : Windows Internet Explorer 6.0 or above CPU : intel pentium 4 1.8GHz or above RAM : 1GB or above, Independent Display Card
Network protocols		IP, TCP, UDP, HTTP, SMTP, NTP, DDNS, UPnP, FTP, ARP, DHCP, PPPoE, DNS, RTSP, RTCP, Telnet, ICMP, IGMP, ONVIF Profile S, SNMP, SIP, Bonjour
Mobile phone		iPhone, iPad, and Android support
System integration		ONVIF & LILIN HTTP API
Central management system		CMX 3.6 / NAV 1.0 support
Video display		LILIN Universal ActiveX & LILIN Java Applet
Os		Embedded Linux 2.6.32
Two-way audio		G.711 / PCM
SD card recording		Support Micro SD/SDHC card for circular recording (card is not included)
Alarm input / output		Digital 1 input (TTL, +3 - 5VDC) / 1 Output (MOS Relay contact N.O., Load max. 40VDC/300mA)



DAY & NIGHT 1080P HD VANDAL RESISTANT DOME IP CAMERA



As with all Pro series cameras, Day & Night 1080P HD Vandal Resistant Dome IP Camera IPD6122X incorporates Sense up+, a unique technology that successfully delivers stunning video in low-light conditions. Utilizing intelligent image signal processing, AGC control, and 3D Noise Reduction, this model successfully delivers the ultimate low-light image without motion blur. The IPD6122X is capable of producing four independent video streams, different streams can be set for different applications, depending on the individual user requirements. The IP67-rated housing is designed to help the camera body withstand rain and dust and ensures operation under a multitude of harsh weather conditions.

FEATURES :

- Full HD 2 megapixel CMOS image sensor
- True H.264 AVC/MPEG-4 part 10 real-time Video compression
- H.264 and Motion JPEG multi-profile Video streaming
- 3D Noise Reduction (MCTF)
- 2D WDR function
- Digital PTZ supported
- Face / tampering / audio / motion / alarm detection
- Impact Resistant Polycarbonate Dome Cover
- Day & Night (IR cut removable)
- 2-way audio supported
- Digital I/O : 1 in, 1 out
- ONVIF supported

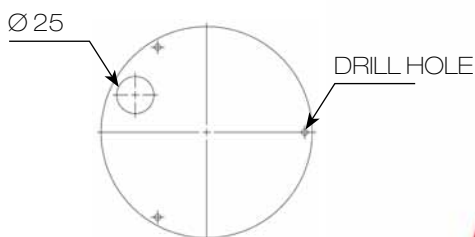
DIMENSIONS : (Unit : mm)

Ø145 x 130

Ø 145



INSTALLATION HOLE SITE DIAGRAM :



SPECIFICATION :

Name		Day & Night 1080P HD Vandal Resistant Dome IP Camera	
Model		IPD6122ESX3.6	
Lens	Focal length		3.3 – 12 mm
	Iris		F1.4
	Angle of view	H	79.3° – 29.8°
		V	59.4° – 22.4°
D		99° – 37.3°	
Pick up element		1/2.7" CMOS image sensor	
Effective pixels		1920 (H) x 1080 (V) = 2,073,600 (pixel)	
Chip size		5.856mm (H) x 3.276mm (V)	
Scanning system		Progressive scan	
Infrared cut filter		Auto / schedule / day (color) / night (mono)	
Min. illumination		0.1 Lux at F1.4 (Low light mode)	
White balance		Auto / tungsten / indoor / fluorescents1 / fluorescents2 / outdoor1 / outdoor2	
Back light compensation		Off / on	
Electrical shutter		1/30s – 1/8000s	
Sense up		Off / 1 frame / 2 frames / 3 frames / 7 frames	
Sense up +		Yes	
Auto gain control		36 dB variable gain	
3D Noise Reduction		Off / 1 – 32 selectable	
2D WDR		Off / on	
Privacy masking		Off / on (4 zones)	
Image effects		Brightness, Contrast, Hue, Saturation, Sharpness, Mirror, Flip	
Live Video output		CVBS 1.0Vp-p, 75 ohm, RCA connector	
Audio in / output		Mono, 1.4 Vp-p , 50 K Ω , Terminal connector	
IP rating		IP67	
Vandal resistant rating		IK10	
Operating temperature		-40°C – +50°C (-40°F – 122°F)	
Dimension		Ø 145 x 130mm	
Weight		960g	
Power supply		DC12V \pm 10% / PoE (IEEE 802.3af compliant)	
Power consumption		DC12V, 6W / PoE, 7.5W	

Network			
Video compression		H.264 , Motion JPEG	
Resolution		1080P(1920 x 1080), 720P(1280 x 720), D1(720 x 480), CIF(352 x 240)	
Multiple profile	Profile #1	H.264 : up to 30 FPS @ 1920 x 1080, MJPEG : up to 30 FPS @ 720 x 480	
	Profile #2	H.264 : up to 30 FPS @ 1280 x 720, MJPEG : up to 30 FPS @ 352 x 240	
	Profile #3	H.264 : up to 30 FPS @ 1920 x 1080, MJPEG : up to 30 FPS @ 1280 x 720	
	Profile #4	H.264 : up to 30 FPS @ 720 x 480, MJPEG : up to 15 FPS @ 1920 x 1080	
Video streaming		RTP/HTTP, RTP/TCP, RTP/UDP, Multicast	
Video bitrate	128Kbps – 5Mbps		
	Frame rate and bit rate controllable on-the-fly		
	VBR / CBR / GOP supported		
Security	Base64 HTTP encryption		
	Multiple user access levels with password protection		
	10 user accounts available		
Users	8 simultaneous users		
ePTZ & digital zoom	Yes, ROI is supported		
OSD	Text overlay for date, time, and camera name		
Alarm function	Alarm / motion / tampering / face / alarm detection triggering recording into SD card		
CPU, memory	Image upload over FTP and E-mail by face / tampering / audio / motion detection		
Maintenance	Embedded SoC ARM11, 528MHz, 256MB DDR2, 256MB flash memory		
Network interface	Firmware update via HTTP		
	Firmware available at web site		
Network interface PC requirement	10Mbps / 100Mbps Base-T, RJ-45		
	OS : Windows 2000, Windows XP, Windows Vista, Windows 7, Windows 8		
	Browser : Windows Internet Explorer 6.0 or above		
	CPU : intel pentium 4 1.8GHz or above		
Network protocols	RAM : 1GB or above, independent display card		
	IP, TCP, UDP, HTTP, SMTP, NTP, DDNS, UPnP, FTP, ARP, DHCP, PPPoE, DNS, RTSP, RTCP, Telnet, ICMP, IGMP, ONVIF Profile S, SNMP, SIP, Bonjour		
Mobile phone	iPhone, iPad, and Android support		
System integration	ONVIF & LILIN HTTP API		
Central management system	CMX 3.6 / NAV 1.0 support		
Video display	LILIN Universal ActiveX & LILIN Java Applet		
OS	Embedded Linux 2.6.32		
Two-way audio	G.711 / PCM		
SD card recording	Support Micro SD/SDHC card for circular recording (card is not included)		
Alarm input / output	Digital 1 input (TTL, +3 – 5VDC) / 1 Output (MOS Relay contact N.O., Load max. 40VDC/300mA)		





As with all Pro series cameras, Day & Night 1080P HD Vari-Focal Dome IP Camera IPD2322X incorporates Sense up+, a unique technology that successfully delivers stunning video in low-light conditions. Utilizing intelligent image signal processing, AGC control, and 3D Noise Reduction, this model successfully delivers the ultimate low-light image without motion blur. The IPD2322X is capable of producing four independent video streams, different streams can be set for different applications, depending on the individual user requirements.

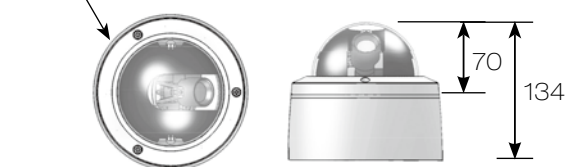
FEATURES :

- Full HD 2 megapixel CMOS image sensor
- True H.264 AVC/MPEG-4 part 10 real-time Video compression
- H.264 and Motion JPEG multi-profile Video streaming
- 3D Noise Reduction (MCTF)
- 2D WDR function
- Digital PTZ supported
- Face / tampering / audio / motion / alarm detection
- Ceiling mount and Embedded mount installation
- Day & Night (IR cut removable)
- 2-way audio supported
- Digital I/O : 1 in, 1 out
- ONVIF supported

DIMENSIONS : (Unit : mm)

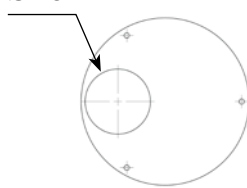
Ø150 x 134

Ø150



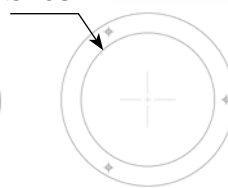
INSTALLATION HOLE SITE DIAGRAM :

Ø40



Ceiling mount

Ø108



Embedded mount

SPECIFICATION :

Name		Day & Night 1080P HD Vari-focal Dome IP Camera	
Model		IPD2322ESX3.6	
Lens	Focal length		3.3 – 12 mm
	Iris		F1.4
	Angle of view	H	79.3° – 29.8°
		V	59.4° – 22.4°
D		99° – 37.3°	
Pick up element		1/2.7" CMOS image sensor	
Effective pixels		1920 (H) x 1080 (V) = 2,073,600 (pixel)	
Chip size		5.856mm (H) x 3.276mm (V)	
Scanning system		Progressive scan	
Infrared cut filter		Auto / schedule / day (color) / night (mono)	
Min. illumination		0.1 Lux at F1.4 (Low light mode)	
White balance		Auto / tungsten / indoor / fluorescents1 / fluorescents2 / outdoor1 / outdoor2	
Back light compensation		Off / on	
Electrical shutter		1/30s – 1/8000s	
Sense up		Off / 1 frame / 2 frames / 3 frames / 7 frames	
Sense up +		Yes	
Auto gain control		36 dB variable gain	
3D Noise Reduction		Off / 1 – 32 selectable	
2D WDR		Off / on	
Privacy masking		Off / on (4 zones)	
Image effects		Brightness, Contrast, Hue, Saturation, Sharpness, Mirror, Flip	
Live Video output		CVBS 1.0Vp-p, 75 ohm, RCA connector	
Audio in / output		Mono, 1.4 Vp-p , 50 K Ω , 3.5mm phone jack	
Operating temperature		-25°C – +50°C (-13°F – 122°F)	
Dimension		\varnothing 150 x 134mm	
Weight		600g	
Power supply		DC12V \pm 10% / PoE (IEEE 802.3af compliant)	
Power consumption		DC12V, 6W / PoE, 7.5W	

Network			
Video compression		H.264 , Motion JPEG	
Resolution		1080P(1920 x 1080), 720P(1280 x 720), D1(720 x 480), CIF(352 x 240)	
Multiple profile	Profile #1	H.264 : up to 30 FPS @ 1920 x 1080, MJPEG : up to 30 FPS @ 720 x 480	
	Profile #2	H.264 : up to 30 FPS @ 1280 x 720, MJPEG : up to 30 FPS @ 352 x 240	
	Profile #3	H.264 : up to 30 FPS @ 1920 x 1080, MJPEG : up to 30 FPS @ 1280 x 720	
	Profile #4	H.264 : up to 30 FPS @ 720 x 480, MJPEG : up to 15 FPS @ 1920 x 1080	
Video streaming		RTP/HTTP, RTP/TCP, RTP/UDP, Multicast	
Video bitrate		128Kbps – 5Mbps	
		Frame rate and bit rate controllable on-the-fly	
		VBR / CBR / GOP supported	
Security		Base64 HTTP encryption	
		Multiple user access levels with password protection	
		10 user accounts available	
Users		8 simultaneous users	
ePTZ & digital zoom		Yes, ROI is supported	
OSD		Text overlay for date, time, and camera name	
Alarm function		Alarm / motion / tampering / face / alarm detection triggering recording into SD card	
		Image upload over FTP and E-mail by face / tampering / audio / motion detection	
CPU, memory		Embedded SoC ARM11, 528MHz, 256MB DDR2, 256MB flash memory	
Maintenance		Firmware update via HTTP	
		Firmware available at web site	
Network interface		10Mbps / 100Mbps Base-T, RJ-45	
PC requirement		OS : Windows 2000, Windows XP, Windows Vista, Windows 7, Windows 8	
		Browser : Windows Internet Explorer 6.0 or above	
		CPU : intel pentium 4 1.8GHz or above	
		RAM : 1GB or above, independent display card	
Network protocols		IP, TCP, UDP, HTTP, SMTP, NTP, DDNS, UPnP, FTP, ARP, DHCP, PPPoE, DNS, RTSP, RTCP, Telnet, ICMP, IGMP, ONVIF Profile S, SNMP, SIP, Bonjour	
Mobile phone		iPhone, iPad, and Android support	
System integration		ONVIF & LILIN HTTP API	
Central management system		CMX 3.6 / NAV 1.0 support	
Video display		LILIN Universal ActiveX & LILIN Java Applet	
OS		Embedded Linux 2.6.32	
Two-way audio		G.711 / PCM	
SD card recording		Support Micro SD/SDHC card for circular recording (card is not included)	
Alarm input / output		Digital 1 input (TTL, +3 – 5VDC) / 1 Output (MOS Relay contact N.O., Load max. 40VDC/300mA)	



As with all Pro series cameras, Day & Night 1080P HD Dome IP Camera IPD2122 incorporates Sense up+, a unique technology that successfully delivers stunning video in low-light conditions. Utilizing intelligent image signal processing, AGC control, and 3D Noise Reduction, this model successfully delivers the ultimate low-light image without motion blur. The IPD2122 is capable of producing four independent video streams, different streams can be set for different applications, depending on the individual user requirements.

FEATURES :

- Full HD 2 megapixel CMOS image sensor
- True H.264 AVC/MPEG-4 part 10 real-time Video compression
- H.264 and Motion JPEG multi-profile Video streaming
- 3D Noise Reduction (MCTF)
- 2D WDR function
- Digital PTZ supported
- Face / tampering / motion detection
- 3-Axis camera construction
- Screw-on design dome cover for easy and secure installation
- Day & Night (IR cut removable)
- ONVIF supported

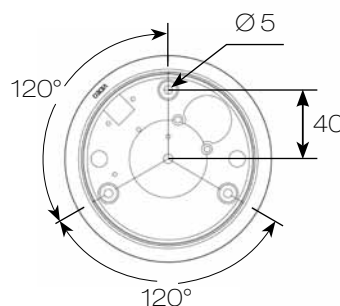
DIMENSIONS : (Unit : mm)

Ø120 x 102

Ø120



INSTALLATION HOLE SITE DIAGRAM :



SPECIFICATION :

Name		Day & Night 1080P HD Dome IP Camera		
Model		IPD2122ES4.3	IPD2122ES6	
Lens	Focal length	4.3 mm	6 mm	
	Iris	F1.6	F1.8	
	Angle of view	H	84.8°	57.6°
		V	45.2°	31.4°
D		100.6°	67.3°	
Pick up element	1/2.7" CMOS image sensor			
Effective pixels	1920 (H) x 1080 (V) = 2,073,600 (pixel)			
Chip size	5.856mm (H) x 3.276mm (V)			
Scanning system	Progressive scan			
Infrared cut filter	Auto / schedule / day (color) / night (mono)			
Min. illumination	0.15 Lux at F1.6 (Low light mode)	0.18 Lux at F1.8 (Low light mode)		
White balance	Auto / tungsten / indoor / fluorescents1 / fluorescents2 / outdoor1 / outdoor2			
Back light compensation	Off / on			
Electrical shutter	1/30s - 1/8000s			
Sense up	Off / 1 frame / 2 frames / 3 frames / 7 frames			
Sense up +	Yes			
Auto gain control	36 dB variable gain			
3D Noise Reduction	Off / 1 - 32 selectable			
2D WDR	Off / on			
Privacy masking	Off / on (4 zones)			
Image effects	Brightness, Contrast, Hue, Saturation, Sharpness, Mirror, Flip			
Operating temperature	-25°C - +50°C (-13°F - 122°F)			
Dimension	Ø 120 x 102mm			
Weight	400g			
Power supply	DC12V ±10% / PoE (IEEE 802.3af compliant)			
Power consumption	DC12V, 5W / PoE, 6W			

Network		
Video compression	H.264 , Motion JPEG	
Resolution	1080P(1920 x 1080), 720P(1280 x 720), D1(720 x 480), CIF(352 x 240)	
Multiple profile	Profile #1	H.264 : up to 30 FPS @ 1920 x 1080, MJPEG : up to 30 FPS @ 720 x 480
	Profile #2	H.264 : up to 30 FPS @ 1280 x 720, MJPEG : up to 30 FPS @ 352 x 240
	Profile #3	H.264 : up to 30 FPS @ 1920 x 1080, MJPEG : up to 30 FPS @ 1280 x 720
	Profile #4	H.264 : up to 30 FPS @ 720 x 480, MJPEG : up to 15 FPS @ 1920 x 1080
Video streaming	RTP/HTTP, RTP/TCP, RTP/UDP, Multicast	
Video bitrate	128Kbps - 5Mbps	
	Frame rate and bit rate controllable on-the-fly	
	VBR / CBR / GOP supported	
Security	Base64 HTTP encryption	
	Multiple user access levels with password protection	
	10 user accounts available	
Users	8 simultaneous users	
ePTZ & digital zoom	Yes, ROI is supported	
OSD	Text overlay for date, time, and camera name	
Alarm function	Image upload over FTP and E-mail by face / tampering / motion detection	
CPU, memory	Embedded SoC ARM11, 528MHz, 256MB DDR2, 256MB flash memory	
Maintenance	Firmware update via HTTP	
	Firmware available at web site	
Network interface	10Mbps / 100Mbps Base-T, RJ-45	
PC requirement	OS : Windows 2000, Windows XP, Windows Vista, Windows 7, Windows 8	
	Browser : Windows Internet Explorer 6.0 or above	
	CPU : intel pentium 4 1.8GHz or above	
	RAM : 1GB or above, independent display card	
Network protocols	IP, TCP, UDP, HTTP, SMTP, NTP, DDNS, UPnP, FTP, ARP, DHCP, PPPoE, DNS, RTSP, RTCP, Telnet, ICMP, IGMP, ONVIF Profile S, SNMP, SIP, Bonjour	
Mobile phone	iPhone, iPad, and Android support	
System integration	ONVIF & LILIN HTTP API	
Central management system	CMX 3.6 / NAV 1.0 support	
Video display	LILIN Universal ActiveX & LILIN Java Applet	
OS	Embedded Linux 2.6.32	



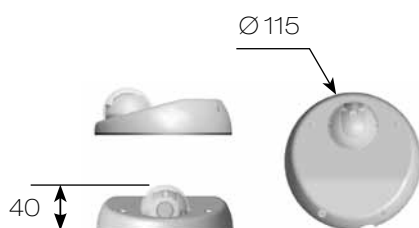
As with all Pro series cameras, IK8 vandal proof dome 1080P HD Vandal Resistant Dome IP Camera IPD6220 / IPD6222 incorporates Sense up+, a unique technology that successfully delivers stunning video in low-light conditions. Utilizing intelligent image signal processing, AGC control, and 3D Noise Reduction, this model successfully delivers the ultimate low-light image without motion blur. The IPD6220 / IPD6222 is capable of producing four independent video streams, different streams can be set for different applications, depending on the individual user requirements. The IP67-rated housing is designed to help the camera body withstand rain and dust and ensures operation under a multitude of harsh weather conditions.

FEATURES :

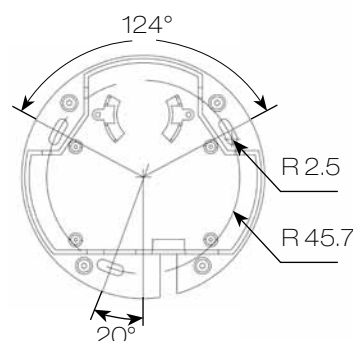
- Full HD 2 megapixel CMOS image sensor
- True H.264 AVC/MPEG-4 part 10 real-time Video compression
- H.264 and Motion JPEG multi-profile Video streaming
- Meets EN50155:2007 criteria for rolling stock applications
- 3D Noise Reduction (MCTF)
- 2D WDR function
- Digital PTZ supported
- Face / tampering / audio / motion detection
- Impact Resistant Polycarbonate Dome Cover
- Built-in highly sensitive microphone
- One-way audio supported
- ONVIF supported

DIMENSIONS : (Unit : mm)

Ø115 x 40



INSTALLATION HOLE SITE DIAGRAM :



SPECIFICATION :

Name		1080P HD Vandal Resistant Dome IP Camera				
Model		IPD6220ES2	IPD6220ES4.3	IPD6222ES2	IPD6222ES4.3	
Lens	Focal Length		2.8mm	4.3mm	2.8mm	4.3mm
	Iris		F1.8	F1.6	F1.8	F1.6
	Angle of View	H	105°	84.8°	105°	84.8°
		V	87°	45.2°	87°	45.2°
D		135°	100.6°	135°	100.6°	
Pick Up Element		1/2.7" CMOS image sensor				
Effective Pixels		1920 (H) x 1080 (V) = 2,073,600 (pixel)				
Chip Size		5.856mm (H) x 3.276mm (V)				
Scanning System		Progressive Scan				
Min. Illumination		0.8 Lux at F1.8	0.6 Lux at F1.6	0.8 Lux at F1.8	0.6 Lux at F1.6	
White balance		Auto / Tungsten / Indoor / Fluorescents1 / Fluorescents2 / Outdoor1 / Outdoor2				
Back light compensation		Off / On				
Electrical Shutter		1/30s - 1/8000s				
Sense up		Off / 1 Frame / 2 Frames / 3 Frames / 7 Frames				
Sense up +		Yes				
Auto gain control		36 dB Variable Gain				
3D Noise Reduction		Off / 1 - 32 Selectable				
2D WDR		Off / On				
Privacy Masking		Off / On (4 zones)				
Image Effects		Brightness, Contrast, Hue, Saturation, Sharpness, Mirror, Flip				
IP rating		IP67				
Vandal Resistant Rating		IK8				
Regulatory Approvals		Rolling Stock, EN50155: 2007 compliance (shock, vibration, temperature, and EMC)		-		
Operating Temperature		-40°C - +55°C (-40°F - 131°F)				
Dimension		Ø 115 x 40mm				
Weight		310g				
Power Supply		PoE (IEEE 802.3af compliant)		DC12V ±10% / PoE (IEEE 802.3af compliant)		
Power Consumption		5W		DC12V, 4.5W / PoE, 5W		

Network		
Video compression		H.264, Motion JPEG
Resolution		1080P(1920 x 1080), 720P(1280 x 720), D1(720 x 480), CIF(352 x 240)
Multiple profile	Profile #1	H.264 : up to 30 FPS @ 1920 x 1080, MJPEG : up to 30 FPS @ 720 x 480
	Profile #2	H.264 : up to 30 FPS @ 1280 x 720, MJPEG : up to 30 FPS @ 352 x 240
	Profile #3	H.264 : up to 30 FPS @ 1920 x 1080, MJPEG : up to 30 FPS @ 1280 x 720
	Profile #4	H.264 : up to 30 FPS @ 720 x 480, MJPEG : up to 15 FPS @ 1920 x 1080
Video streaming		RTP/HTTP, RTP/TCP, RTP/UDP, Multicast
Video bitrate		128Kbps - 5Mbps Frame rate and bit rate controllable on-the-fly VBR / CBR / GOP supported
Security		Base64 HTTP encryption Multiple user access levels with password protection 10 user accounts available
Users		8 simultaneous users
ePTZ & ROI		Yes, ROI is supported
OSD		Text overlay for date, time, and camera name
Alarm function		Motion / tampering / face detection triggering recording into SD card Image upload over FTP and E-mail by face / tampering / audio / motion detection
CPU, memory		Embedded SoC ARM11, 528MHz, 256MB DDR2, 256MB flash memory
Maintenance		Firmware update via HTTP Firmware available at web site
Network interface		10Mbps / 100Mbps Base-T, M12 connector (IPD6220ES4.3) 10Mbps / 100Mbps Base-T, RJ-45 (IPD6222ES4.3)
PC requirement		OS : Windows 2000, Windows XP, Windows Vista, Windows 7, Windows 8 Browser : Windows Internet Explorer 6.0 or above CPU : intel pentium 4 1.8GHz or above RAM : 1GB or above, independent display card
Network protocols		IP, TCP, UDP, HTTP, SMTP, NTP, DDNS, UPnP, FTP, ARP, DHCP, PPPoE, DNS, RTSP, RTCP, Telnet, ICMP, IGMP, ONVIF Profile S, SNMP, SIP, Bonjour
Mobile phone		iPhone, iPad, and Android support
System integration		ONVIF & LILIN HTTP API
Central management system		CMX 3.6 / NAV 1.0 support
Video display		LILIN Universal ActiveX & LILIN Java Applet
OS		Embedded Linux 2.6.32
One-way audio		G.711 / PCM
SD card recording		Support Micro SD/SDHC card for circular recording (card is not included)



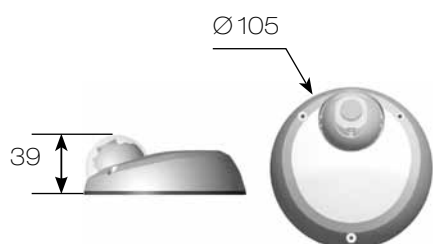
As with all Pro series cameras, 1080P HD Dome IP Camera IPD2220 incorporates Sense up+, a unique technology that successfully delivers stunning video in low-light conditions. Utilizing intelligent image signal processing, AGC control, and 3D Noise Reduction, this model successfully delivers the ultimate low-light image without motion blur. The IPD2220 is capable of producing four independent video streams, different streams can be set for different applications, depending on the individual user requirements.

FEATURES :

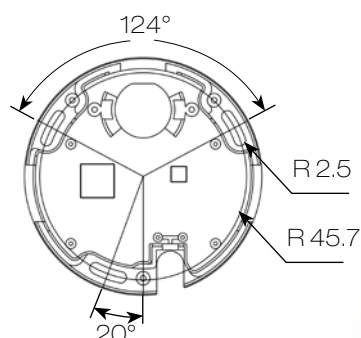
- Full HD 2 megapixel CMOS image sensor
- True H.264 AVC/MPEG-4 part 10 real-time Video compression
- H.264 and Motion JPEG multi-profile Video streaming
- 3D Noise Reduction (MCTF)
- 2D WDR function
- Digital PTZ supported
- Face / tampering / audio / motion detection
- Built-in highly sensitive microphone
- One-way audio supported
- ONVIF supported

DIMENSIONS : (Unit : mm)

Ø105 x 39



INSTALLATION HOLE SITE DIAGRAM :



SPECIFICATION :

Name		1080P HD Dome IP Camera	
Model		IPD2220ES2	IPD2220ES4.3
Lens	Focal Length		2.8 mm
	Iris		F1.8
	Angle of View	H	105°
		V	87°
D		135°	
Pick Up Element		1/2.7" CMOS image sensor	
Effective Pixels		1920 (H) x 1080 (V) = 2,073,600 (pixel)	
Chip Size		5.856mm (H) x 3.276mm (V)	
Scanning System		Progressive Scan	
Min. Illumination		0.8 Lux at F1.8	0.6 Lux at F1.6
White balance		Auto / Tungsten / Indoor / Fluorescents1 / Fluorescents2 / Outdoor1 / Outdoor2	
Back light compensation		Off / On	
Electrical Shutter		1/30s - 1/8000s	
Sense up		Off / 1 Frame / 2 Frames / 3 Frames / 7 Frames	
Sense up +		Yes	
Auto gain control		36 dB Variable Gain	
3D Noise Reduction		Off / 1 - 32 Selectable	
2D WDR		Off / On	
Privacy Masking		Off / On (4 zones)	
Image Effects		Brightness, Contrast, Hue, Saturation, Sharpness, Mirror, Flip	
Operating Temperature		-25°C - +50°C (-13°F - 122°F)	
Dimension		Ø 105 x 39mm	
Weight		250g	
Power Supply		DC12V ±10% / PoE (IEEE 802.3af compliant)	
Power Consumption		DC12V, 4.5W / PoE, 5W	

Network	
Video compression	
H.264, Motion JPEG	
Resolution	
1080P(1920 x 1080), 720P(1280 x 720), D1(720 x 480), CIF(352 x 240)	
Multiple profile	Profile #1
	Profile #2
	Profile #3
	Profile #4
Video streaming	
RTP/HTTP, RTP/TCP, RTP/UDP, Multicast	
Video bitrate	
128Kbps - 5Mbps	
Frame rate and bit rate controllable on-the-fly	
VBR / CBR / GOP supported	
Security	
Base64 HTTP encryption	
Multiple user access levels with password protection	
10 user accounts available	
Users	
8 simultaneous users	
ePTZ & digital zoom	
Yes, ROI is supported	
OSD	
Text overlay for date, time, and camera name	
Alarm function	
Motion / tampering / face detection triggering recording into SD card	
Image upload over FTP and E-mail by face / tampering / audio / motion detection	
CPU, memory	
Embedded SoC ARM11, 528MHz, 256MB DDR2, 256MB flash memory	
Maintenance	
Firmware update via HTTP	
Firmware available at web site	
Network interface	
10Mbps / 100Mbps Base-T, RJ-45	
PC requirement	
OS : Windows 2000, Windows XP, Windows Vista, Windows 7, Windows 8	
Browser : Windows Internet Explorer 6.0 or above	
CPU : intel pentium 4 1.8GHz or above	
RAM : 1GB or above, independent display card	
Network protocols	
IP, TCP, UDP, HTTP, SMTP, NTP, DDNS, UPnP, FTP, ARP, DHCP, PPPoE, DNS, RTSP, RTCP, Telnet, ICMP, IGMP, ONVIF Profile S, SNMP, SIP, Bonjour	
Mobile phone	
iPhone, iPad, and Android support	
System integration	
ONVIF & LILIN HTTP API	
Central management system	
CMX 3.6 / NAV 1.0 support	
Video display	
LILIN Universal ActiveX & LILIN Java Applet	
OS	
Embedded Linux 2.6.32	
One-way audio	
G.711 / PCM	
SD card recording	
Support Micro SD/SDHC card for circular recording (card is not included)	



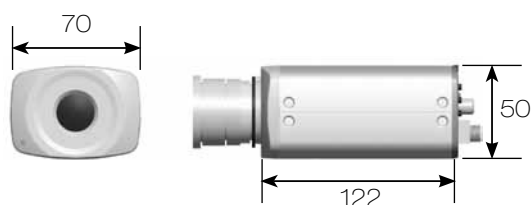
As with all Pro series cameras, the IPG1022X incorporates Sense up+, a unique technology that successfully delivers stunning video in low-light conditions. Utilizing intelligent image signal processing, AGC control, and 3D Noise Reduction, this model successfully delivers the ultimate low-light image without motion blur. Measuring less than 125mm in length, this latest addition to the range provides an internal solution suited to multiple applications.

FEATURES :

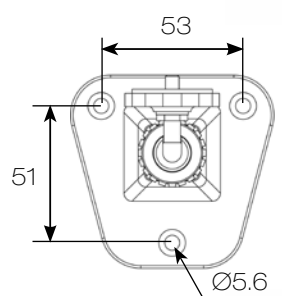
- Full HD 2 megapixel CMOS image sensor
- True H.264 AVC/MPEG-4 part 10 real-time Video compression
- H.264 and Motion JPEG multi-profile Video streaming
- 3D Noise Reduction (MCTF) / 2D WDR function
- Digital PTZ supported
- Face / tampering / audio / motion / alarm detection
- Day & Night (IR cut removable)
- 2-way audio supported
- Built-in highly sensitive microphone
- Digital I/O : 1 in, 1 out
- ONVIF supported

DIMENSIONS : (Unit : mm)

70(W) x 50(H) x 122(D)



INSTALLATION HOLE SITE DIAGRAM :



SPECIFICATION :

Name		Day & Night 1080P HD IP Camera	
Model		IPG1022ESX3	
Lens	Focal length	3 – 10.5 mm (CS mount)	
	Iris	F1.4	
	Angle of view	H	105.6° – 28.4°
		V	79.2° – 21.3°
D		132° – 35.5°	
Pick up element		1/2.7" CMOS image sensor	
Effective pixels		1920 (H) x 1080 (V) = 2,073,600 (pixel)	
Chip size		5.856mm (H) x 3.276mm (V)	
Scanning system		Progressive scan	
Infrared cut filter		Auto / schedule / day (color) / night (mono) / external control	
Min. illumination		0.1 Lux at F1.4 (Low light mode)	
White balance		Auto / tungsten / indoor / fluorescents1 / fluorescents2 / outdoor1 / outdoor2	
Back light compensation		Off / on	
Electrical shutter		1/30s – 1/8000s	
Sense up		Off / 1 frame / 2 frames / 3 frames / 7 frames	
Sense up +		Yes	
Auto gain control		36 dB variable gain	
3D Noise Reduction		Off / 1 – 32 selectable	
2D WDR		Off / on	
Privacy masking		Off / on (4 zones)	
Image effects		Brightness, Contrast, Hue, Saturation, Sharpness, Mirror, Flip	
Live Video output		CVBS 1.0Vp-p, 75 ohm, BNC connector	
Audio in / output		Mono, 1.4 Vp-p , 50 KΩ , 3.5mm phone jack	
Operating temperature		-25°C – +50°C (-13°F – 122°F)	
Dimension		70mm(W) x 50mm(H) x 110mm(D)	
Weight		380g	
Power supply		DC12V ±10% / PoE (IEEE 802.3af compliant)	
Power consumption		DC12V, 6W / PoE, 7.5W	

Network			
Video compression		H.264 , Motion JPEG	
Resolution		1080P(1920 x 1080), 720P(1280 x 720), D1(720 x 480), CIF(352 x 240)	
Multiple profile	Profile #1	H.264 : up to 30 FPS @ 1920 x 1080, MJPEG : up to 30 FPS @ 720 x 480	
	Profile #2	H.264 : up to 30 FPS @ 1280 x 720, MJPEG : up to 30 FPS @ 352 x 240	
	Profile #3	H.264 : up to 30 FPS @ 1920 x 1080, MJPEG : up to 30 FPS @ 1280 x 720	
	Profile #4	H.264 : up to 30 FPS @ 720 x 480, MJPEG : up to 15 FPS @ 1920 x 1080	
Video streaming		RTP/HTTP, RTP/TCP, RTP/UDP, Multicast	
Video bitrate	128Kbps – 5Mbps		
	Frame rate and bit rate controllable on-the-fly		
	VBR / CBR / GOP supported		
Security	Base64 HTTP encryption		
	Multiple user access levels with password protection		
	10 user accounts available		
Users	8 simultaneous users		
ePTZ & digital zoom	Yes, ROI is supported		
OSD	Text overlay for date, time, and camera name		
Alarm functions	Alarm / motion / tampering / face / alarm detection triggering recording into SD card		
CPU, memory	Image upload over FTP and E-mail by face / tampering / audio / motion detection		
Maintenance	Embedded SoC ARM11, 528MHz, 256MB DDR2, 256MB flash memory		
	Firmware update via HTTP		
Network interface	Firmware available at web site		
	10Mbps / 100Mbps Base-T, RJ-45		
PC requirement	OS : Windows 2000, Windows XP, Windows Vista, Windows 7, Windows 8		
	Browser : Windows Internet Explorer 6.0 or above		
	CPU : intel pentium 4 1.8GHz or above		
	RAM : 1GB or above, independent display card		
Network protocols	IP, TCP, UDP, HTTP, SMTP, NTP, DDNS, UPnP, FTP, ARP, DHCP, PPPoE, DNS, RTSP, RTCP, Telnet, ICMP, IGMP, ONVIF Profile S, SNMP, SIP, Bonjour		
Mobile phone	iPhone, iPad, and Android support		
System integration	ONVIF & LILIN HTTP API		
Central management system	CMX 3.6 / NAV 1.0 support		
Video display	LILIN Universal ActiveX & LILIN Java Applet		
OS	Embedded Linux 2.6.32		
Two-way audio	G.711 / PCM		
SD card recording	Support Micro SD/SDHC card for circular recording (card is not included)		
Alarm input / output	Digital 1 input (TTL, +3 – 5VDC) / 1 Output (MOS Relay contact N.O., Load max. 40VDC/300mA)		





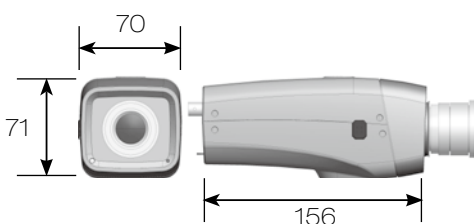
Auto Focus IP camera ZG1232X offers Auto Back Focus function, with the built-in IEEE 802.3af compliant PoE and only – 150mm diameter in size, ZG1232X Auto Focus IP camera is able to meet a wide variety of needs for indoor and outdoor surveillance. Featuring Full HD resolution with superb image quality up to 15 FPS frame rate, are equipped with a removable IR-cut filter, built-in Intelligent Video Surveillance features such as face, tampering, audio, motion detection Alarm function, 3D Noise Reduction, WDR enhancement for un-paralleled visibility in high contrast environments, Automatic Gain Control (AGC) form of amplification to produce usable images, and securing high video quality in providing accurate identification around the clock.

FEATURES :

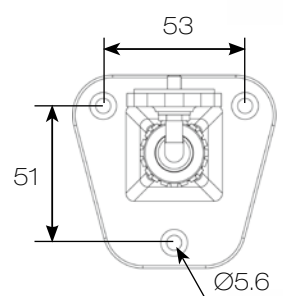
- Full HD 3.27 megapixel CMOS image sensor
- True H.264 AVC/MPEG-4 part 10 real-time video compression
- H.264 and Motion JPEG multi-profile video streaming
- Auto Back Focus function
- 3D Noise Reduction (MCTF) / 2D WDR function
- Digital PTZ supported
- Face / tampering / audio / motion / alarm detection
- Day & Night (IR cut removable)
- 2-way audio supported
- Built-in highly sensitive microphone
- Digital I/O : 1 in, 1 out
- ONVIF supported
- RS-485 supported

DIMENSIONS : (Unit : mm)

70mm(W) x 71mm(H) x 156mm(D)



INSTALLATION HOLE SITE DIAGRAM :



SPECIFICATION :

Name	Day & Night 3MP HD Auto Focus IP Camera		
Model	ZG1232EX3		
Lens	Focal Length	3.1 – 9 mm (CS Mount)	
	Iris	F1.3	
	Angle of View	H	99.4° – 34.8°
		V	73.1° – 26.1°
D		127.7° – 43.5°	
Pick Up Element	1/2.8" CMOS image sensor		
Effective Pixels	2096 (H) x 1561 (V) = 3,271,856 (pixel)		
Chip Size	7.96mm (H) x 7.61mm (V)		
Scanning System	Progressive Scan		
Infrared Cut Filter	Auto / Schedule / Day (Color) / Night (Mono) / External control		
Min. Illumination	0.15 Lux at F1.3 (Low Light Mode)		
White balance	Auto / Tungsten / Indoor / Fluorescents1 / Fluorescents2 / Outdoor1 / Outdoor2		
Back light compensation	Off / On		
Electrical Shutter	1/30s – 1/8000s		
Sense up	Off / 1 Frame / 2 Frames / 3 Frames / 7 Frames		
Sense up +	Yes		
Auto gain control	36 dB Variable Gain		
3D Noise Reduction	Off / 1 – 32 Selectable		
2D WDR	Off / Auto / x2 / x3 / x4		
Privacy Masking	Off / On (4 zones)		
Image Effects	Brightness, Contrast, Hue, Saturation, Sharpness, Mirror, Flip		
Auto Focus	One Push (Auto Back Focus)		
Live Video Output	CVBS 1.0Vp-p, 75 ohm, BNC connector		
Audio In / Output	Mono, 1.4 Vp-p , 50 K Ω , 3.5mm phone jack		
Operating Temperature	-25°C – +50°C (-13°F – 122°F)		
Dimension	70mm(W) x 71mm(H) x 156mm(D)		
Weight	450g		
Power Supply	DC12V \pm 10% / PoE (IEEE 802.3af compliant)		
Power Consumption	DC12V, 7W / PoE, 8W		

NETWORK		
Video compression	H.264 , Motion JPEG	
Resolution	3MP(2048 x 1536), 1080P(1920 x 1080), 720P(1280 x 720), D1(720 x 480), CIF(352 x 240)	
Multiple profile	Profile #1	H.264 : up to 30 FPS @ 1920 x 1080 , MJPEG : up to 30 FPS @ 720 x 480
	Profile #2	H.264 : up to 30 FPS @ 1280 x 720 , MJPEG : up to 30 FPS @ 352 x 240
	Profile #3	H.264 : up to 30 FPS @ 1920 x 1080 , MJPEG : up to 30 FPS @ 1280 x 720
	Profile #4	H.264 : up to 30 FPS @ 720 x 480 , MJPEG : up to 15 FPS @ 1920 x 1080
	Profile #5	H.264 : up to 15 FPS @ 2048 x 1536 , MJPEG : up to 15 FPS @ 720 x 480
Video Streaming	RTP/HTTP, RTP/TCP, RTP/UDP, Multicast	
Video bitrate	128Kbps – 5Mbps	
	Frame rate and bit rate controllable on-the-fly	
	VBR / CBR / GOP supported	
Security	Base64 HTTP encryption	
	Multiple user access levels with password protection	
	10 user accounts available	
Users	8 simultaneous users	
ePTZ & Digital zoom	Yes, ROI is supported	
OSD	Text overlay for date, time, and camera name	
Alarm function	Alarm / motion / tampering / face detection triggering recording into SD card	
	Image upload over FTP and E-mail by face / tampering / audio / motion / alarm detection	
CPU, memory	Embedded SoC ARM11, 528MHz, 256MB DDR2, 256MB flash memory	
Maintenance	Firmware update via HTTP	
	Firmware available at web site	
Network Interface	10Mbps / 100Mbps Base-T, RJ-45	
PC requirement	OS : Windows 2000, Windows XP, Windows Vista, Windows 7, Windows 8	
	Browser : Windows Internet Explorer 6.0 or above	
	CPU : Intel Pentium 4 1.8GHz or above	
	RAM : 1GB or above, Independent Display Card	
Network protocols	IP, TCP, UDP, HTTP, SMTP, NTP, DDNS, UPnP, FTP, ARP, DHCP, PPPoE, DNS, RTSP, RTCP, Telnet, ICMP, IGMP, ONVIF Profile S, SNMP	
Mobile phone and PDA	iPhone, iPad, and Android support	
System Integration	ONVIF & LILIN HTTP API	
Central management system	CMX 3.6 / NAV 1.0 support	
Video display	LILIN Universal ActiveX & LILIN Java Applet	
OS	Embedded Linux 2.6.32	
Two-way audio	G.711 / PCM	
SD card recording	Support Micro SD/SDHC card for circular recording (card is not included)	
Alarm input / output	Digital 1 input (TTL, +3 – 5VDC) / 1 Output (MOS Relay contact N.O., Load max. 40VDC/300mA)	
Control Interface	RS-485 , Half-Duplex , support MLP2 , Pelco D/P protocols	





ZR7424X / ZR7428X

DAY & NIGHT 1080P HD AUTO FOCUS IR IP CAMERA



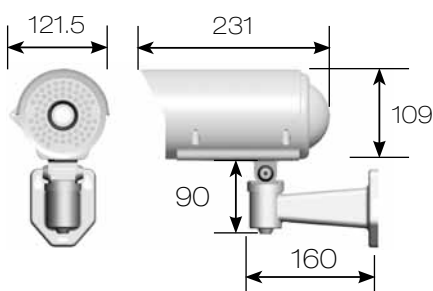
As with all Z series Auto Focus cameras, the 1080P HD Vari-Focal IR IP Camera ZR7424X/ZR7428X incorporates Sense up+, a unique technology that successfully delivers stunning video in low-light conditions. Utilizing intelligent image signal processing, AGC control, and 3D Noise Reduction, this model successfully delivers the ultimate low-light image without motion blur. Offering flexible Auto Focus installation feature, ZR7424X/ZR7428X fits into a range of environments such as retail, home, office, and hotel security. The ZR7424X/ZR7428X is capable of producing four independent video streams, different streams can be set for different applications, depending on the individual user requirements. The IP66-rated housing is designed to help the camera body withstand rain and dust and ensures operation under a multitude of harsh weather conditions.

FEATURES :

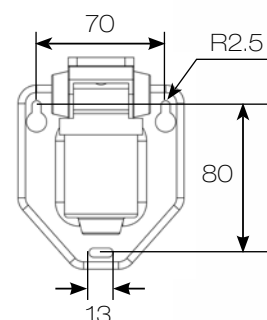
- Full HD 2 megapixel CMOS image sensor
- True H.264 AVC/MPEG-4 part 10 real-time video compression
- H.264 and Motion JPEG multi-profile video streaming
- Auto focus with zoom / focus motorized lens
- 3D noise reduction (MCTF) / 2D WDR function
- Digital PTZ supported
- Face / Tampering / Audio / Motion detection alarm function
- Cable managed housing and bracket
- High efficiency IR LED, radiant distance up to 45m
- Day & Night (IR cut removable)
- 2-way audio supported
- Digital I/O : 1 in, 1 out
- ONVIF Profile S supported

DIMENSIONS : (Unit : mm)

Body : 121.5 x 109 x 231 (W x H x D) Bracket : 160(L)



INSTALLATION HOLE SITE DIAGRAM :



SPECIFICATION :

Name		Day & Night 1080P HD Auto Focus IR IP Camera	
Model		ZR7424EX3	ZR7428EX3
Lens	Focal length		3 - 10.5 mm (zoom / focus motorized)
	Iris		F1.4
	Angle of view	H	91.2° - 25.5°
		V	68.4° - 19.1°
		D	114° - 31.9°
Pick up element		1/2.7" CMOS image sensor	
Effective pixels		1920 (H) x 1080 (V) = 2,073,600 (pixel)	
Chip size		5.856mm (H) x 3.276mm (V)	
Scanning system		Progressive Scan	
Infrared cut filter		Auto / Schedule / Day (Color) / Night (Mono)	
Min. illumination		0.1 Lux at F1.4 (Low Light Mode) / 0 Lux with IR LED ON	
White balance		Auto / Tungsten / Indoor / Fluorescents1 / Fluorescents2 / Outdoor1 / Outdoor2	
Back light compensation		Off / On	
Electrical shutter		1/30s - 1/8000s	
Sense up		Off / 1 Frame / 2 Frames / 3 Frames / 7 Frames	
Sense up +		Yes	
Auto gain control		36 dB Variable Gain	
3D Noise Reduction		Off / 1 - 32 Selectable	
2D WDR		Off / On	
Privacy masking		Off / On (4 zones)	
Image effects		Brightness, Contrast, Hue, Saturation, Sharpness, Mirror, Flip	
Auto Focus		One Push	
Live Video output		CVBS 1.0Vp-p, 75 ohm, BNC connector	
Audio in / output		Mono, 1.4 Vp-p , 50 KΩ , Terminal connector	
IP rating		IP66	
Window		Ø92 Heat Resistant Glass	
Infrared LED	Peak wavelength		850nm
	Beam spread		30°
	Radiant distance		45M
Operating temperature		-40°C - +50°C (-40°F - 122°F)	
Dimension		Body : 121.5mm(W) x 109mm(H) x 231mm(D) , Bracket : 160mm(L)	
Weight		1700g	
Power supply		AC24V (±10%)	AC100 - 240V (±10%)
		PoE+ (IEEE 802.3at compliant)	
Power consumption		15W (PoE+, 17W)	

Network		
Video compression		H.264 , Motion JPEG
Resolution		1080P(1920 x 1080), 720P(1280 x 720), D1(720 x 480), CIF(352 x 240)
Multiple profile	Profile #1	H.264 : up to 30 fps @ 1920 x 1080 , MJPEG : up to 30 fps @ 720 x 480
	Profile #2	H.264 : up to 30 fps @ 1280 x 720 , MJPEG : up to 30 fps @ 352 x 240
	Profile #3	H.264 : up to 30 fps @ 1920 x 1080 , MJPEG : up to 30 fps @ 1280 x 720
	Profile #4	H.264 : up to 30 fps @ 720 x 480 , MJPEG : up to 15 fps @ 1920 x 1080
Video streaming		RTP/HTTP, RTP/TCP, RTP/UDP, Multicast
Video bitrate		128Kbps - 5Mbps Frame rate and bit rate controllable on-the-fly VBR / CBR / GOP supported
Security		Base64 HTTP encryption Multiple user access levels with password protection 10 user accounts available
Users		8 simultaneous users
ePTZ & digital zoom		Yes, ROI is supported
OSD		Text overlay for date, time, and camera name
Alarm function		Alarm / motion / tampering / face detection triggering recording into SD card Image upload over FTP and E-mail by face / tampering / audio / motion detection
CPU, memory		Embedded SoC ARM11, 528MHz, 256MB DDR2, 256MB flash memory
Maintenance		Firmware update via HTTP Firmware available at web site
Network interface		10Mbps / 100Mbps Base-T, RJ-45
PC requirement		OS : Windows 2000, Windows XP, Windows Vista, Windows 7, Windows 8 Browser : Windows Internet Explorer 6.0 or above CPU : Intel Pentium 4 1.8GHz or above RAM : 1GB or above, Independent Display Card
Network protocols		IP, TCP, UDP, HTTP, SMTP, NTP, DDNS, UPnP, FTP, ARP, DHCP, PPPoE, DNS, RTSP, RTCP, Telnet, ICMP, IGMP, ONVIF Profile S, SNMP, SIP, Bonjour
Mobile phone		iPhone, iPad, and Android support
System integration		ONVIF & LILIN HTTP API
Central management system		CMX HD 3.6 support
Video display		LILIN Universal ActiveX & LILIN Java Applet
OS		Embedded Linux 2.6.32
Two-way audio		G.711 / PCM
SD card recording		Support Micro SD/SDHC card for circular recording (card is not included)
Alarm input / output		Digital 1 input (TTL, +3 - 5VDC) / 1 Output (MOS Relay contact N.O., Load max. 40VDC/300mA)



DAY & NIGHT 1080P HD AUTO FOCUS VANDAL RESISTANT DOME IR IP CAMERA



Day & Night 1080P HD Auto Focus Vandal Resistant Dome IR IP Camera ZR6122X is IP67-rated housing protects the camera body against rain and dust, and ensures operation under extreme weather condition. ZR6122X Auto Focus dome is sufficiently robust to meet the IK-10 certification requirement has the ability to withstand external mechanical impacts. The ZR6122X comes with a removable IR-cut filter, which enable the camera to provide black/white video in dark conditions. Designed in a mini glassy dome form factor and offering flexible Auto Focus installation feature, ZR6122X fits into a range of environments such as retail, home, office, and hotel security.

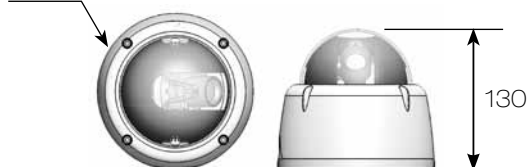
FEATURES :

- Full HD 2 megapixel CMOS image sensor
- True H.264 AVC/MPEG-4 part 10 real-time Video compression
- H.264 and Motion JPEG multi-profile Video streaming
- Auto focus with zoom / focus motorized Lens
- 3D Noise Reduction (MCTF) / 2D WDR function
- Digital PTZ supported
- Face / tampering / audio / motion / alarm detection
- Impact Resistant Polycarbonate Dome Cover
- High efficiency IR LED, Radiant distance up to 25m
- Day & Night (IR cut removable)
- 2-way audio supported
- Digital I/O : 1 in, 1 out
- ONVIF supported

DIMENSIONS : (Unit : mm)

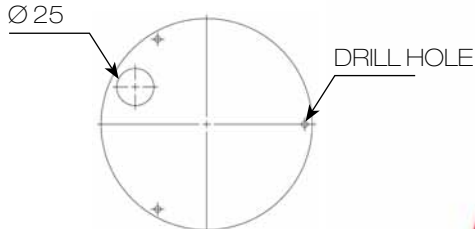
Ø145 x 130

Ø 145



INSTALLATION HOLE SITE DIAGRAM :

Ø 25



SPECIFICATION :

Name		Day & Night 1080P HD Auto Focus Vandal Resistant Dome IR IP Camera	
Model		ZR6122EX3	
Lens	Focal length	3 – 10.5 mm (zoom / focus motorized)	
	Iris	F1.4	
	Angle of view	H	91.2° – 25.5°
		V	68.4° – 19.1°
D		114° – 31.9°	
Pick up element		1/2.7" CMOS image sensor	
Effective pixels		1920 (H) x 1080 (V) = 2,073,600 (pixel)	
Chip size		5.856mm (H) x 3.276mm (V)	
Scanning system		Progressive scan	
Infrared cut filter		Auto / schedule / day (color) / night (mono)	
Min. illumination		0.1 Lux at F1.4 (Low light mode) / 0 Lux with IR LED on	
White balance		Auto / tungsten / indoor / fluorescents1 / fluorescents2 / outdoor1 / outdoor2	
Back light compensation		Off / on	
Electrical shutter		1/30s – 1/8000s	
Sense up		Off / 1 frame / 2 frames / 3 frames / 7 frames	
Sense up +		Yes	
Auto gain control		36 dB variable gain	
3D Noise Reduction		Off / 1 – 32 selectable	
2D WDR		Off / on	
Privacy masking		Off / on (4 zones)	
Image effects		Brightness, Contrast, Hue, Saturation, Sharpness, Mirror, Flip	
Auto focus		One push	
Live Video output		CVBS 1.0Vp-p, 75 ohm, RCA connector	
Audio in / output		Mono, 1.4 Vp-p , 50 K Ω , Terminal connector	
IP rating		IP67	
Vandal resistant rating		IK10	
Infrared LED	Peak wavelength	850nm	
	Beam spread	30°	
	Radiant distance	25M	
Operating temperature		-40°C – +50°C (-40°F – 122°F)	
Dimension		Ø 145 x 130mm	
Weight		1000g	
Power supply		DC12V \pm 10% / PoE (IEEE 802.3af compliant)	
Power consumption		DC12V, 10W / PoE, 11.2W	

Network			
Video compression		H.264 , Motion JPEG	
Resolution		1080P(1920 x 1080), 720P(1280 x 720), D1(720 x 480), CIF(352 x 240)	
Multiple profile	Profile #1	H.264 : up to 30 FPS @ 1920 x 1080, MJPEG : up to 30 FPS @ 720 x 480	
	Profile #2	H.264 : up to 30 FPS @ 1280 x 720, MJPEG : up to 30 FPS @ 352 x 240	
	Profile #3	H.264 : up to 30 FPS @ 1920 x 1080, MJPEG : up to 30 FPS @ 1280 x 720	
	Profile #4	H.264 : up to 30 FPS @ 720 x 480, MJPEG : up to 15 FPS @ 1920 x 1080	
Video streaming		RTP/HTTP, RTP/TCP, RTP/UDP, Multicast	
Video bitrate		128Kbps – 5Mbps Frame rate and bit rate controllable on-the-fly VBR / CBR / GOP supported	
Security		Base64 HTTP encryption Multiple user access levels with password protection 10 user accounts available	
Users		8 simultaneous users	
ePTZ & digital zoom		Yes, ROI is supported	
OSD		Text overlay for date, time, and camera name	
Alarm function		Alarm / motion / tampering / face / alarm detection triggering recording into SD card Image upload over FTP and E-mail by face / tampering / audio / motion detection	
CPU, memory		Embedded SoC ARM11, 528MHz, 256MB DDR2, 256MB flash memory	
Maintenance		Firmware update via HTTP Firmware available at web site	
Network interface		10Mbps / 100Mbps Base-T, RJ-45	
PC requirement		OS : Windows 2000, Windows XP, Windows Vista, Windows 7, Windows 8 Browser : Windows Internet Explorer 6.0 or above CPU : intel pentium 4 1.8GHz or above RAM : 1GB or above, independent display card	
Network protocols		IP, TCP, UDP, HTTP, SMTP, NTP, DDNS, UPnP, FTP, ARP, DHCP, PPPoE, DNS, RTSP, RTCP, Telnet, ICMP, IGMP, ONVIF Profile S, SNMP	
Mobile phone		iPhone, iPad, and Android support	
System integration		ONVIF & LILIN HTTP API	
Central management system		CMX 3.6 / NAV 1.0 support	
Video display		LILIN Universal ActiveX & LILIN Java Applet	
OS		Embedded Linux 2.6.32	
Two-way audio		G.711 / PCM	
SD card recording		Support Micro SD/SDHC card for circular recording (card is not included)	
Alarm input / output		Digital 1 input (TTL, +3 – 5VDC) / 1 Output (MOS Relay contact N.O., Load max. 40VDC/300mA)	





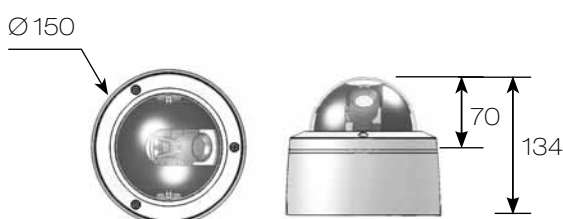
ZR2322X is 1080P 2-megapixel CMOS image sensor, easy-to-install Auto Focus fixed dome, featuring embedded mount as well as ceiling mount installation in response to diverse array of environments for total situational awareness. Featuring high-efficiency IR-LEDs provide 25 meters of light. Also, ZR2322X is featuring Full HD resolution with superb image quality up to 30 FPS, are equipped with a removable IR-cut filter, built-in Intelligent Video Surveillance features such as face, tampering, audio, motion detection Alarm function, WDR enhancement for un-paralleled visibility in high contrast environments, Automatic Gain Control (AGC) form of amplification to produce usable images, and securing high video quality in providing accurate identification around the clock.

FEATURES :

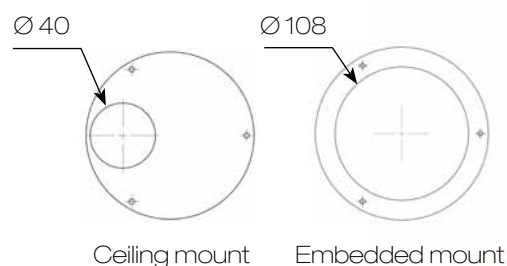
- Full HD 2 megapixel CMOS image sensor
- True H.264 AVC/MPEG-4 part 10 real-time Video compression
- H.264 and Motion JPEG multi-profile Video streaming
- Auto focus with zoom / focus motorized Lens
- 3D Noise Reduction (MCTF) / 2D WDR function
- Digital PTZ supported
- Face / tampering / audio / motion / alarm detection
- Ceiling mount and Embedded mount installation
- High efficiency IR LED, Radiant distance up to 25m
- Day & Night (IR cut removable)
- 2-way audio supported
- Digital I/O : 1 in, 1 out
- ONVIF supported

DIMENSIONS : (Unit : mm)

Ø150 x 134



INSTALLATION HOLE SITE DIAGRAM :



SPECIFICATION :

Name		Day & Night 1080P HD Auto Focus Dome IR IP Camera	
Model		ZR2322EX3	
Lens	Focal length	3 - 10.5 mm (zoom / focus motorized)	
	Iris	F1.4	
	Angle of view	H	91.2° - 25.5°
		V	68.4° - 19.1°
D		114° - 31.9°	
Pick up element		1/2.7" CMOS image sensor	
Effective pixels		1920 (H) x 1080 (V) = 2,073,600 (pixel)	
Chip size		5.856mm (H) x 3.276mm (V)	
Scanning system		Progressive scan	
Infrared cut filter		Auto / schedule / day (color) / night (mono)	
Min. illumination		0.1 Lux at F1.4 (Low light mode) / 0 Lux with IR LED on	
White balance		Auto / tungsten / indoor / fluorescents1 / fluorescents2 / outdoor1 / outdoor2	
Back light compensation		Off / on	
Electrical shutter		1/30s - 1/8000s	
Sense up		Off / 1 frame / 2 frames / 3 frames / 7 frames	
Sense up +		Yes	
Auto gain control		36 dB variable gain	
3D Noise Reduction		Off / 1 - 32 selectable	
2D WDR		Off / on	
Privacy masking		Off / on (4 zones)	
Image effects		Brightness, Contrast, Hue, Saturation, Sharpness, Mirror, Flip	
Auto focus		One push	
Live Video output		CVBS 1.0Vp-p, 75 ohm, RCA connector	
Audio in / output		Mono, 1.4 Vp-p , 50 KΩ , 3.5mm phone jack	
Infrared LED	Peak wavelength	850nm	
	Beam spread	30°	
	Radiant distance	25M	
Operating temperature		-25°C - +50°C (-13°F - 122°F)	
Dimension		Ø 150 x 134mm	
Weight		640g	
Power supply		DC12V ±10% / PoE (IEEE 802.3af compliant)	
Power consumption		DC12V, 10W / PoE, 11.2W	

Network		
Video compression		H.264 , Motion JPEG
Resolution		1080P(1920 x 1080), 720P(1280 x 720), D1(720 x 480), CIF(352 x 240)
Multiple profile	Profile #1	H.264 : up to 30 FPS @ 1920 x 1080, MJPEG : up to 30 FPS @ 720 x 480
	Profile #2	H.264 : up to 30 FPS @ 1280 x 720, MJPEG : up to 30 FPS @ 352 x 240
	Profile #3	H.264 : up to 30 FPS @ 1920 x 1080, MJPEG : up to 30 FPS @ 1280 x 720
	Profile #4	H.264 : up to 30 FPS @ 720 x 480, MJPEG : up to 15 FPS @ 1920 x 1080
Video streaming		RTP/HTTP, RTP/TCP, RTP/UDP, Multicast
Video bitrate		128Kbps - 5Mbps Frame rate and bit rate controllable on-the-fly VBR / CBR / GOP supported
Security		Base64 HTTP encryption Multiple user access levels with password protection 10 user accounts available
Users		8 simultaneous users
ePTZ & digital zoom		Yes, ROI is supported
OSD		Text overlay for date, time, and camera name
Alarm function		Alarm / motion / tampering / face / alarm detection triggering recording into SD card Image upload over FTP and E-mail by face / tampering / audio / motion detection
CPU, memory		Embedded SoC ARM11, 528MHz, 256MB DDR2, 256MB flash memory
Maintenance		Firmware update via HTTP Firmware available at web site
Network interface		10Mbps / 100Mbps Base-T, RJ-45
PC requirement		OS : Windows 2000, Windows XP, Windows Vista, Windows 7, Windows 8 Browser : Windows Internet Explorer 6.0 or above CPU : intel pentium 4 1.8GHz or above RAM : 1GB or above, independent display card
Network protocols		IP, TCP, UDP, HTTP, SMTP, NTP, DDNS, UPnP, FTP, ARP, DHCP, PPPoE, DNS, RTSP, RTCP, Telnet, ICMP, IGMP, ONVIF Profile S, SNMP
Mobile phone		iPhone, iPad, and Android support
System integration		ONVIF & LILIN HTTP API
Central management system		CMX 3.6 / NAV 1.0 support
Video display		LILIN Universal ActiveX & LILIN Java Applet
OS		Embedded Linux 2.6.32
Two-way audio		G.711 / PCM
SD card recording		Support Micro SD/SDHC card for circular recording (card is not included)
Alarm input / output		Digital 1 input (TTL, +3 - 5VDC) / 1 Output (MOS Relay contact N.O., Load max. 40VDC/300mA)



DAY & NIGHT 1080P HD AUTO FOCUS VANDAL RESISTANT DOME IP CAMERA



Auto Focus Vandal Resistant Dome IP Camera ZD6122X is IP67-rated housing protects the camera body against rain and dust, and ensures operation under extreme weather condition. ZD6122X Auto Focus dome is sufficiently robust to meet the IK-10 certification requirement has the ability to withstand external mechanical impacts. Designed in a mini glassy dome form factor and offering flexible Auto Focus installation feature, ZD6122X fits into a range of environments such as retail, home, office, and hotel security.

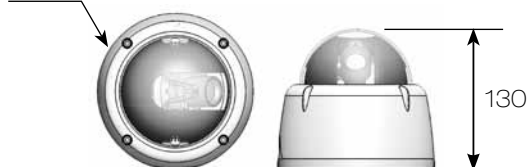
FEATURES :

- Full HD 2 megapixel CMOS image sensor
- True H.264 AVC/MPEG-4 part 10 real-time Video compression
- H.264 and Motion JPEG multi-profile Video streaming
- Auto focus with zoom / focus motorized Lens
- 3D Noise Reduction (MCTF)
- 2D WDR function
- Digital PTZ supported
- Face / tampering / audio / motion / alarm detection
- Impact Resistant Polycarbonate Dome Cover
- Day & Night (IR cut removable)
- 2-way audio supported
- Digital I/O : 1 in, 1 out
- ONVIF supported

DIMENSIONS : (Unit : mm)

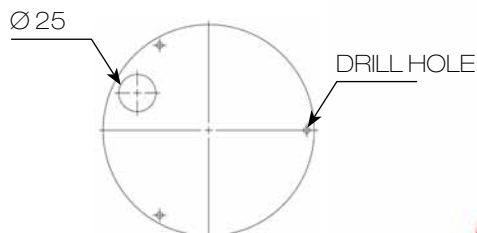
Ø145 x 130

Ø 145



INSTALLATION HOLE SITE DIAGRAM :

Ø 25



SPECIFICATION :

Name	Day & Night 1080P HD Auto Focus Vandal Resistant Dome IP Camera		
Model	ZD6122EX3		
Lens	Focal length	3 - 10.5 mm (zoom / focus motorized)	
	Iris	F1.4	
	Angle of view	H	91.2° - 25.5°
		V	68.4° - 19.1°
	D	114° - 31.9°	
Pick up element	1/2.7" CMOS image sensor		
Effective pixels	1920 (H) x 1080 (V) = 2,073,600 (pixel)		
Chip size	5.856mm (H) x 3.276mm (V)		
Scanning system	Progressive scan		
Infrared cut filter	Auto / schedule / day (color) / night (mono)		
Min. illumination	0.1 Lux at F1.4 (Low light mode)		
White balance	Auto / tungsten / indoor / fluorescents1 / fluorescents2 / outdoor1 / outdoor2		
Back light compensation	Off / on		
Electrical shutter	1/30s - 1/8000s		
Sense up	Off / 1 frame / 2 frames / 3 frames / 7 frames		
Sense up +	Yes		
Auto gain control	36 dB variable gain		
3D Noise Reduction	Off / 1 - 32 selectable		
2D WDR	Off / on		
Privacy masking	Off / on (4 zones)		
Image effects	Brightness, Contrast, Hue, Saturation, Sharpness, Mirror, Flip		
Auto focus	One push		
Live Video output	CVBS 1.0Vp-p, 75 ohm, RCA connector		
Audio in / output	Mono, 1.4 Vp-p, 50 KΩ, Terminal connector		
IP rating	IP67		
Vandal resistant rating	IK10		
Operating temperature	-40°C - +50°C (-40°F - 122°F)		
Dimension	Ø 145 x 130mm		
Weight	960g		
Power supply	DC12V ±10% / PoE (IEEE 802.3af compliant)		
Power consumption	DC12V, 8W / PoE, 9.5W		

Network		
Video compression	H.264, Motion JPEG	
Resolution	1080P(1920 x 1080), 720P(1280 x 720), D1(720 x 480), CIF(352 x 240)	
Multiple profile	Profile #1	H.264 : up to 30 FPS @ 1920 x 1080, MJPEG : up to 30 FPS @ 720 x 480
	Profile #2	H.264 : up to 30 FPS @ 1280 x 720, MJPEG : up to 30 FPS @ 352 x 240
	Profile #3	H.264 : up to 30 FPS @ 1920 x 1080, MJPEG : up to 30 FPS @ 1280 x 720
	Profile #4	H.264 : up to 30 FPS @ 720 x 480, MJPEG : up to 15 FPS @ 1920 x 1080
Video streaming	RTP/HTTP, RTP/TCP, RTP/UDP, Multicast	
Video bitrate	128Kbps - 5Mbps	
	Frame rate and bit rate controllable on-the-fly	
	VBR / CBR / GOP supported	
Security	Base64 HTTP encryption	
	Multiple user access levels with password protection	
	10 user accounts available	
Users	8 simultaneous users	
ePTZ & digital zoom	Yes, ROI is supported	
OSD	Text overlay for date, time, and camera name	
Alarm function	Alarm / motion / tampering / face / alarm detection triggering recording into SD card	
	Image upload over FTP and E-mail by face / tampering / audio / motion detection	
CPU, memory	Embedded SoC ARM11, 528MHz, 256MB DDR2, 256MB flash memory	
Maintenance	Firmware update via HTTP	
	Firmware available at web site	
Network interface	10Mbps / 100Mbps Base-T, RJ-45	
PC requirement	OS : Windows 2000, Windows XP, Windows Vista, Windows 7, Windows 8	
	Browser : Windows Internet Explorer 6.0 or above	
	CPU : intel pentium 4 1.8GHz or above	
	RAM : 1GB or above, independent display card	
Network protocols	IP, TCP, UDP, HTTP, SMTP, NTP, DDNS, UPnP, FTP, ARP, DHCP, PPPoE, DNS, RTSP, RTCP, Telnet, ICMP, IGMP, ONVIF Profile S, SNMP	
Mobile phone	iPhone, iPad, and Android support	
System integration	ONVIF & LILIN HTTP API	
Central management system	CMX 3.6 / NAV 1.0 support	
Video display	LILIN Universal ActiveX & LILIN Java Applet	
OS	Embedded Linux 2.6.32	
Two-way audio	G.711 / PCM	
SD card recording	Support Micro SD/SDHC card for circular recording (card is not included)	
Alarm input / output	Digital 1 input (TTL, +3 - 5VDC) / 1 Output (MOS Relay contact N.O., Load max. 40VDC/300mA)	





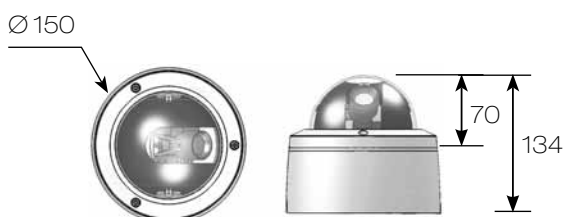
ZD2322X is 2-megapixel CMOS image sensor, easy-to-install Auto Focus fixed dome, featuring embedded mount as well as ceiling mount installation in response to diverse array of environments for total situational awareness. Also, ZD2322X is featuring Full HD resolution with superb image quality up to 30 FPS, are equipped with a removable IR-cut filter, built-in Intelligent Video Surveillance features such as face, tampering, audio, motion detection Alarm function, WDR enhancement for un-paralleled visibility in high contrast environments, Automatic Gain Control (AGC) form of amplification to produce usable images, and securing high video quality in providing accurate identification around the clock.

FEATURES :

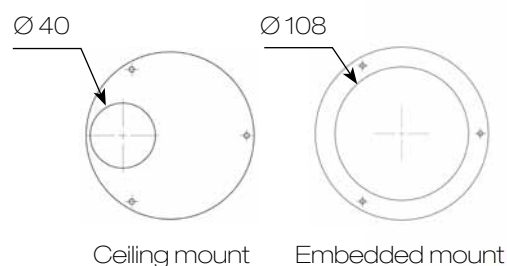
- Full HD 2 megapixel CMOS image sensor
- True H.264 AVC/MPEG-4 part 10 real-time Video compression
- H.264 and Motion JPEG multi-profile Video streaming
- Auto focus with zoom / focus motorized Lens
- 3D Noise Reduction (MCTF)
- 2D WDR function
- Digital PTZ supported
- Face / tampering / audio / motion / alarm detection
- Ceiling mount and Embedded mount installation
- Day & Night (IR cut removable)
- 2-way audio supported
- Digital I/O : 1 in, 1 out
- ONVIF supported

DIMENSIONS : (Unit : mm)

Ø150 x 134



INSTALLATION HOLE SITE DIAGRAM :



SPECIFICATION :

Name		Day & Night 1080P HD Auto Focus Dome IP Camera	
Model		ZD2322EX3	
Lens	Focal length		3 - 10.5 mm (zoom / focus motorized)
	Iris		F1.4
	Angle of view	H	91.2° - 25.5°
		V	68.4° - 19.1°
D		114° - 31.9°	
Pick up element		1/2.7" CMOS image sensor	
Effective pixels		1920 (H) x 1080 (V) = 2,073,600 (pixel)	
Chip size		5.856mm (H) x 3.276mm (V)	
Scanning system		Progressive scan	
Infrared cut filter		Auto / schedule / day (color) / night (mono)	
Min. illumination		0.1 Lux at F1.4 (Low light mode)	
White balance		Auto / tungsten / indoor / fluorescents1 / fluorescents2 / outdoor1 / outdoor2	
Back light compensation		Off / on	
Electrical shutter		1/30s - 1/8000s	
Sense up		Off / 1 frame / 2 frames / 3 frames / 7 frames	
Sense up +		Yes	
Auto gain control		36 dB variable gain	
3D Noise Reduction		Off / 1 - 32 selectable	
2D WDR		Off / on	
Privacy masking		Off / on (4 zones)	
Image effects		Brightness, Contrast, Hue, Saturation, Sharpness, Mirror, Flip	
Auto focus		One push	
Live Video output		CVBS 1.0Vp-p, 75 ohm, RCA connector	
Audio in / output		Mono, 1.4 Vp-p , 50 KΩ , 3.5mm phone jack	
Operating temperature		-25°C - +50°C (-13°F - 122°F)	
Dimension		Ø 150 x 134mm	
Weight		600g	
Power supply		DC12V ±10% / PoE (IEEE 802.3af compliant)	
Power consumption		DC12V, 8W / PoE, 9.5W	

Network			
Video compression		H.264 , Motion JPEG	
Resolution		1080P(1920 x 1080), 720P(1280 x 720), D1(720 x 480), CIF(352 x 240)	
Multiple profile	Profile #1	H.264 : up to 30 FPS @ 1920 x 1080, MJPEG : up to 30 FPS @ 720 x 480	
	Profile #2	H.264 : up to 30 FPS @ 1280 x 720, MJPEG : up to 30 FPS @ 352 x 240	
	Profile #3	H.264 : up to 30 FPS @ 1920 x 1080, MJPEG : up to 30 FPS @ 1280 x 720	
	Profile #4	H.264 : up to 30 FPS @ 720 x 480, MJPEG : up to 15 FPS @ 1920 x 1080	
Video streaming		RTP/HTTP, RTP/TCP, RTP/UDP, Multicast	
Video bitrate	128Kbps - 5Mbps		
	Frame rate and bit rate controllable on-the-fly		
	VBR / CBR / GOP supported		
Security	Base64 HTTP encryption		
	Multiple user access levels with password protection		
	10 user accounts available		
Users	8 simultaneous users		
ePTZ & digital zoom	Yes, ROI is supported		
OSD	Text overlay for date, time, and camera name		
Alarm function	Alarm / motion / tampering / face / alarm detection triggering recording into SD card Image upload over FTP and E-mail by face / tampering / audio / motion detection		
CPU, memory	Embedded SoC ARM11, 528MHz, 256MB DDR2, 256MB flash memory		
Maintenance	Firmware update via HTTP		
	Firmware available at web site		
Network interface	10Mbps / 100Mbps Base-T, RJ-45		
PC requirement	OS : Windows 2000, Windows XP, Windows Vista, Windows 7, Windows 8		
	Browser : Windows Internet Explorer 6.0 or above		
	CPU : intel pentium 4 1.8GHz or above		
	RAM : 1GB or above, independent display card		
Network protocols	IP, TCP, UDP, HTTP, SMTP, NTP, DDNS, UPnP, FTP, ARP, DHCP, PPPoE, DNS, RTSP, RTCP, Telnet, ICMP, IGMP, ONVIF Profile S, SNMP		
Mobile phone	iPhone, iPad, and Android support		
System integration	ONVIF & LILIN HTTP API		
Central management system	CMX 3.6 / NAV 1.0 support		
Video display	LILIN Universal ActiveX & LILIN Java Applet		
OS	Embedded Linux 2.6.32		
Two-way audio	G.711 / PCM		
SD card recording	Support Micro SD/SDHC card for circular recording (card is not included)		
Alarm input / output	Digital 1 input (TTL, +3 - 5VDC) / 1 Output (MOS Relay contact N.O., Load max. 40VDC/300mA)		





LR7224X / LR7228X

DAY & NIGHT 1080P HD VARI-FOCAL IR IP CAMERA



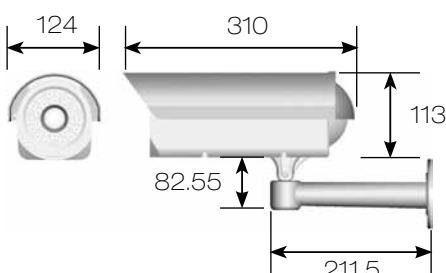
LR7224X/LR7228X in the L series is featuring built-in Sense up+ technology to deliver stunning video in low-light conditions. Utilizing intelligent image signal processing, 2D WDR function, AGC control, and 3D Noise Reduction, the combination successfully delivers the ultimate low-light image without motion blur. The IP66-rated housing is designed to help the camera body withstand rain and dust and ensures operation under a multitude of harsh weather conditions. Support with PoE, privacy mask, White balance, and minimum illumination 0.1 Lux at F1.4 Low Light Mode.

FEATURES :

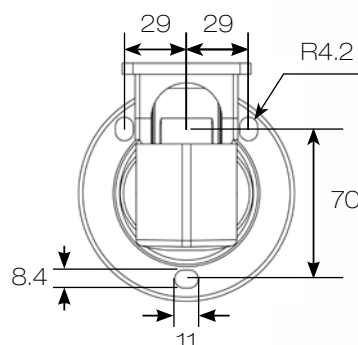
- Full HD 2 megapixel CMOS image sensor
- True H.264 AVC/MPEG-4 part 10
- H.264 and Motion JPEG triple Video streaming
- 3D Noise Reduction (MCTF)
- 2D WDR function
- Digital zoom supported
- Audio / motion / alarm detection
- Cable managed housing and bracket
- High efficiency IR LED, Radiant distance up to 55m
- Day & Night (IR cut removable)
- 2-way audio supported
- Digital I/O : 1 in, 1 out
- ONVIF supported

DIMENSIONS : (Unit : mm)

Body : 124(W) x 113(H) x 310(D) Bracket : 211.5(L)



INSTALLATION HOLE SITE DIAGRAM :



SPECIFICATION :

Name		Day & Night 1080P HD Vari-Focal IR IP Camera	
Model		LR7224EX3.6	LR7228EX3.6
Lens	Focal length	3.3 - 12 mm	
	Iris	F1.4	
	Angle of view	H	79.3° - 29.8°
		V	59.4° - 22.4°
D		99° - 37.3°	
Pick up element		1/2.7" CMOS image sensor	
Effective pixels		1920 (H) x 1080 (V) = 2,073,600 (pixel)	
Chip size		5.856mm (H) x 3.276mm (V)	
Scanning system		Progressive Scan	
Infrared cut filter		Auto / Schedule / Day (Color) / Night (Mono)	
Min. illumination		0.1 Lux at F1.4 (Low Light Mode) / 0 Lux with IR LED ON	
White balance		Auto / Tungsten / Indoor / Fluorescents1 / Fluorescents2 / Outdoor1 / Outdoor2	
Back light compensation		Off / On	
Electronic shutter		1/30(1/25)s - 1/8000s	
Sense up		Off / 1 Frame / 2 Frames / 3 Frames / 7 Frames	
Sense up +		Yes	
Auto gain control		36 dB Variable Gain	
3D Noise Reduction		Off / 1 - 32 Selectable	
2D WDR		Off / x2 / x3 / x4	
Privacy masking		Off / On (4 zones)	
Image effects		Brightness, Contrast, Hue, Saturation, Sharpness, Mirror, Flip	
Live Video output		CVBS 1.0Vp-p, 75 ohm, BNC connector	
Audio in / output		Mono, 1.4 Vp-p, 50 K Ω , Terminal connector	
IP rating		IP66	
Window		\varnothing 78 Heat Resistant Glass	
Infrared LED	Peak wavelength	850nm	
	Beam spread	30°	
	Radiant distance	55M	
Operating temperature		-40°C - +50°C (-40°F - 122°F)	
Dimension		Body : 124mm(W) x 113mm(H) x 310mm(D), Bracket : 211.5mm(L)	
Weight		2200g	
Power supply		AC24V (\pm 10%) PoE+ (IEEE 802.3at compliant)	AC100 - 240V (\pm 10%)
Power consumption		17W (PoE+, 20W)	

Network	
Video compression	H.264 , Motion JPEG
Resolution	1080P(1920 x 1080), 720P(1280 x 720), D1(720 x 480), CIF(352 x 240)
Maximum frame rate	H.264 : up to 15 fps @ 1920 x 1080 , 30fps @ 1280 x 720 , 30fps @ 720 x 480 Motion JPEG : up to 15 fps @ 1920 x 1080 , 30 fps @ 720 x 480 , 30 fps @ 352 x 240
Video streaming protocol	RTP/HTTP, RTP/TCP, RTP/UDP, Multicast
Video bitrate	128Kbps - 5Mbps
	Frame rate and bit rate controllable on-the-fly
	VBR / CBR / GOP supported
Security	Base64 HTTP encryption
	Multiple user access levels with password protection
	10 user accounts available
Users	8 simultaneous users
Digital zoom	Yes
OSD	Text overlay for date, time, and camera name
Alarm function	Alarm / motion detection triggering recording into SD card Image upload over FTP and E-mail by audio / motion detection
CPU, memory	Embedded SoC ARM11, 528MHz, 256MB DDR2, 256MB flash memory
Maintenance	Firmware update via HTTP
	Firmware available at web site
Network interface	10Mbps / 100Mbps Base-T, RJ-45
PC requirement	OS : Windows 2000, Windows XP, Windows Vista, Windows 7, Windows 8
	Browser : Windows Internet Explorer 6.0 or above
	CPU : Intel Pentium 4 1.8GHz or above
	RAM : 1GB or above, Independent Display Card
Network protocols	IP, TCP, UDP, HTTP, SMTP, NTP, DDNS, UPnP, FTP, ARP, DHCP, PPPoE, DNS, RTSP, RTCP, Telnet, ICMP, IGMP, ONVIF Profile S, SNMP, SIP, Bonjour
Mobile phone	iPhone, iPad, and Android support
System integration	ONVIF & LILIN HTTP API
Central management system	CMX 3.6 / NAV 1.0 support
Video display	LILIN Universal ActiveX & LILIN Java Applet
OS	Embedded Linux 2.6.32
Two-way audio	G.711 / PCM
SD card recording	Support Micro SD/SDHC card for circular recording (card is not included)
Alarm input / output	Digital 1 input (TTL, +3 - 5VDC) / 1 Output (MOS Relay contact N.O., Load max. 40VDC/300mA)





LR7424X / LR7428X

DAY & NIGHT 1080P HD VARI-FOCAL IR IP CAMERA



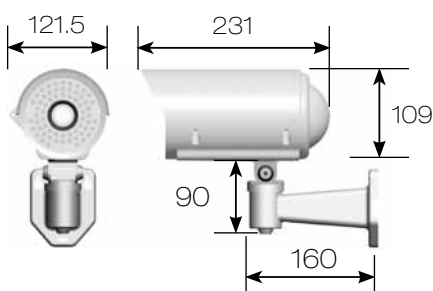
LR7424X/LR7428X in the L series is featuring built-in Sense up+ technology to deliver stunning video in low-light conditions. Utilizing intelligent image signal processing, 2D WDR function, AGC control, and 3D Noise Reduction, the combination successfully delivers the ultimate low-light image without motion blur. The IP66-rated housing is designed to help the camera body withstand rain and dust and ensures operation under a multitude of harsh weather conditions. Support with PoE, privacy mask, White balance, and minimum illumination 0.1 Lux at F1.4 Low Light Mode.

FEATURES :

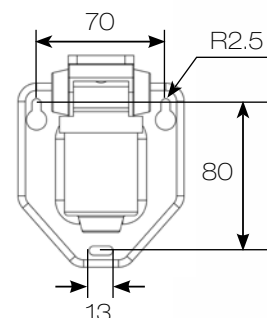
- Full HD 2 megapixel CMOS image sensor
- True H.264 AVC/MPEG-4 part 10
- H.264 and Motion JPEG triple Video streaming
- 3D Noise Reduction (MCTF)
- 2D WDR function
- Digital zoom supported
- Audio / Motion / alarm detection
- Cable managed housing and bracket
- High efficiency IR LED, Radiant distance up to 45m
- Day & Night (IR cut removable)
- 2-way audio supported
- Digital I/O : 1 in, 1 out
- ONVIF supported

DIMENSIONS : (Unit : mm)

Body : 121.5(W) x 109(H) x 231(D) Bracket : 160(L)



INSTALLATION HOLE SITE DIAGRAM :



SPECIFICATION :

Name		Day & Night 1080P HD vari-focal IR IP Camera	
Model		LR7424EX3.6	LR7428EX3.6
Lens	Focal length		3.3 - 12 mm
	Iris		F1.4
	Angle of view	H	79.3° - 29.8°
		V	59.4° - 22.4°
		D	99° - 37.3°
Pick up element		1/2.7" CMOS image sensor	
Effective pixels		1920 (H) x 1080 (V) = 2,073,600 (pixel)	
Chip size		5.856mm (H) x 3.276mm (V)	
Scanning system		Progressive Scan	
Infrared cut filter		Auto / Schedule / Day (Color) / Night (Mono)	
Min. illumination		0.1 Lux at F1.4 (Low Light Mode) / 0 Lux with IR LED ON	
White balance		Auto / Tungsten / Indoor / Fluorescents1 / Fluorescents2 / Outdoor1 / Outdoor2	
Back light compensation		Off / On	
Electronic shutter		1/30(1/25)s - 1/8000s	
Sense up		Off / 1 Frame / 2 Frames / 3 Frames / 7 Frames	
Sense up +		Yes	
Auto gain control		36 dB Variable Gain	
3D Noise Reduction		Off / 1 - 32 Selectable	
2D WDR		Off / x2 / x3 / x4	
Privacy masking		Off / On (4 zones)	
Image effects		Brightness, Contrast, Hue, Saturation, Sharpness, Mirror, Flip	
Live Video output		CVBS 1.0Vp-p, 75 ohm, BNC connector	
Audio in / output		Mono, 1.4 Vp-p , 50 KΩ , Terminal connector	
IP rating		IP66	
Window		Ø92 Heat Resistant Glass	
Infrared LED	Peak wavelength		850nm
	Beam spread		30°
	Radiant distance		45M
Operating temperature		-40°C - +50°C (-40°F - 122°F)	
Dimension		Body : 121.5mm(W) x 109mm(H) x 231mm(D) , Bracket : 160mm(L)	
Weight		1700g	
Power supply		AC24V (±10%)	AC100 - 240V (±10%)
		PoE+ (IEEE 802.3at compliant)	
Power consumption		14W (PoE+, 16W)	

Network	
Video compression	H.264 , Motion JPEG
Resolution	1080P(1920 x 1080), 720P(1280 x 720), D1(720 x 480), CIF(352 x 240)
Maximum frame rate	H.264 : up to 15 fps @ 1920 x 1080 , 30fps @ 1280 x 720 , 30fps @ 720 x 480 Motion JPEG : up to 15 fps @ 1920 x 1080 , 30 fps @ 720 x 480 , 30 fps @ 352 x 240
Video streaming protocol	RTP/HTTP, RTP/TCP, RTP/UDP, Multicast
Video bitrate	128Kbps - 5Mbps Frame rate and bit rate controllable on-the-fly VBR / CBR / GOP supported
Security	Base64 HTTP encryption Multiple user access levels with password protection 10 user accounts available
Users	8 simultaneous users
Digital zoom	Yes
OSD	Text overlay for date, time, and camera name
Alarm function	Alarm / motion detection triggering recording into SD card Image upload over FTP and E-mail by audio / motion detection
CPU, memory	Embedded SoC ARM11, 528MHz, 256MB DDR2, 256MB flash memory
Maintenance	Firmware update via HTTP Firmware available at web site
Network interface	10Mbps / 100Mbps Base-T, RJ-45
PC requirement	OS : Windows 2000, Windows XP, Windows Vista, Windows 7, Windows 8 Browser : Windows Internet Explorer 6.0 or above CPU : Intel Pentium 4 1.8GHz or above RAM : 1GB or above, Independent Display Card
Network protocols	IP, TCP, UDP, HTTP, SMTP, NTP, DDNS, UPnP, FTP, ARP, DHCP, PPPoE, DNS, RTSP, RTCP, Telnet, ICMP, IGMP, ONVIF Profile S, SNMP, SIP, Bonjour
Mobile phone	iPhone, iPad, and Android support
System integration	ONVIF & LILIN HTTP API
Central management system	CMX 3.6 / NAV 1.0 support
Video display	LILIN Universal ActiveX & LILIN Java Applet
OS	Embedded Linux 2.6.32
Two-way audio	G.711 / PCM
SD card recording	Support Micro SD/SDHC card for circular recording (card is not included)
Alarm input / output	Digital 1 input (TTL, +3 - 5VDC) / 1 Output (MOS Relay contact N.O., Load max. 40VDC/300mA)





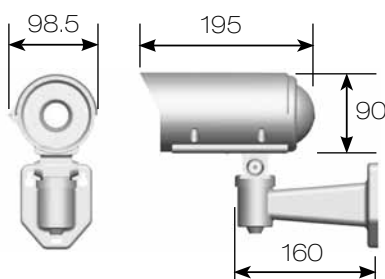
LR7722X in the L series is featuring built-in Sense up+ technology to deliver stunning video in low-light conditions. Utilizing intelligent image signal processing, 2D WDR function, AGC control, and 3D Noise Reduction, the combination successfully delivers the ultimate low-light image without motion blur. The IP66-rated housing is designed to help the camera body withstand rain and dust and ensures operation under a multitude of harsh weather conditions. Support with PoE, privacy mask, White balance, and minimum illumination 0.1 Lux at F1.4 Low Light Mode.

FEATURES :

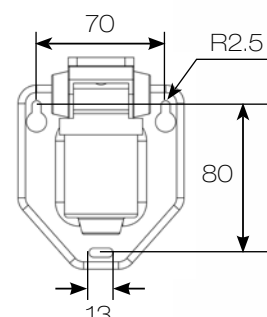
- Full HD 2 megapixel CMOS image sensor
- True H.264 AVC/MPEG-4 part 10
- H.264 and Motion JPEG triple Video streaming
- 3D Noise Reduction (MCTF)
- 2D WDR function
- Digital zoom supported
- Audio / motion / alarm detection
- Cable managed housing and bracket
- High efficiency IR LED, Radiant distance up to 35m
- Day & Night (IR cut removable)
- 2-way audio supported
- Digital I/O : 1 in, 1 out
- ONVIF supported

DIMENSIONS : (Unit : mm)

Body : 98.5(W) x 90(H) x 195(D) Bracket : 160mm(L)



INSTALLATION HOLE SITE DIAGRAM :



SPECIFICATION :

Name		Day & Night 1080P HD Vari-Focal IR IP Camera	
Model		LR7722EX3.6	
Lens	Focal length	3.3 – 12 mm	
	Iris	F1.4	
	Angle of view	H	79.3° – 29.8°
		V	59.4° – 22.4°
D		99° – 37.3°	
Pick up element	1/2.7" CMOS image sensor		
Effective pixels	1920 (H) x 1080 (V) = 2,073,600 (pixel)		
Chip size	5.856mm (H) x 3.276mm (V)		
Scanning system	Progressive Scan		
Infrared cut filter	Auto / Schedule / Day (Color) / Night (Mono)		
Min. illumination	0.1 Lux at F1.4 (Low Light Mode) / 0 Lux with IR LED ON		
White balance	Auto / Tungsten / Indoor / Fluorescents1 / Fluorescents2 / Outdoor1 / Outdoor2		
Back light compensation	Off / On		
Electronic shutter	1/30(1/25)s – 1/8000s		
Sense up	Off / 1 Frame / 2 Frames / 3 Frames / 7 Frames		
Sense up +	Yes		
Auto gain control	36 dB Variable Gain		
3D Noise Reduction	Off / 1 – 32 Selectable		
2D WDR	Off / x2 / x3 / x4		
Privacy masking	Off / On (4 zones)		
Image effects	Brightness, Contrast, Hue, Saturation, Sharpness, Mirror, Flip		
Live Video output	CVBS 1.0Vp-p, 75 ohm, BNC connector		
Audio in / output	Mono, 1.4 Vp-p , 50 KΩ , Terminal connector		
IP rating	IP66		
Window	Ø 72 Heat Resistant Glass		
Infrared LED	Peak wavelength	850nm	
	Beam spread	30°	
	Radiant distance	35M	
Operating temperature	-40°C – +50°C (-40°F – 122°F)		
Dimension	Body : 98.5mm(W) x 90mm(H) x 195mm(D) , Bracket : 160mm(L)		
Weight	1450g		
Power supply	DC12V ±10% / PoE (IEEE 802.3af compliant)		
Power consumption	DC12V, 10.5W / PoE, 12W		

Network	
Video compression	H.264 , Motion JPEG
Resolution	1080P(1920 x 1080), 720P(1280 x 720), D1(720 x 480), CIF(352 x 240)
Maximum frame rate	H.264 : up to 15 fps @ 1920 x 1080 , 30fps @ 1280 x 720 , 30fps @ 720 x 480
	Motion JPEG : up to 15 fps @ 1920 x 1080 , 30 fps @ 720 x 480 , 30 fps @ 352 x 240
Video streaming protocol	RTP/HTTP, RTP/TCP, RTP/UDP, Multicast
Video bitrate	128Kbps – 5Mbps
	Frame rate and bit rate controllable on-the-fly
	VBR / CBR / GOP supported
Security	Base64 HTTP encryption
	Multiple user access levels with password protection
	10 user accounts available
Users	8 simultaneous users
Digital zoom	Yes
OSD	Text overlay for date, time, and camera name
Alarm function	Alarm / motion detection triggering recording into SD card Image upload over FTP and E-mail by audio / motion detection
CPU, memory	Embedded SoC ARM11, 528MHz, 256MB DDR2, 256MB flash memory
Maintenance	Firmware update via HTTP
	Firmware available at web site
Network interface	10Mbps / 100Mbps Base-T, RJ-45
PC requirement	OS : Windows 2000, Windows XP, Windows Vista, Windows 7, Windows 8
	Browser : Windows Internet Explorer 6.0 or above
	CPU : Intel Pentium 4 1.8GHz or above
	RAM : 1GB or above, Independent Display Card
Network protocols	IP, TCP, UDP, HTTP, SMTP, NTP, DDNS, UPnP, FTP, ARP, DHCP, PPPoE, DNS, RTSP, RTCP, Telnet, ICMP, IGMP, ONVIF Profile S, SNMP, SIP, Bonjour
Mobile phone	iPhone, iPad, and Android support
System integration	ONVIF & LILIN HTTP API
Central management system	CMX 3.6 / NAV 1.0 support
Video display	LILIN Universal ActiveX & LILIN Java Applet
OS	Embedded Linux 2.6.32
Two-way audio	G.711 / PCM
SD card recording	Support Micro SD/SDHC card for circular recording (card is not included)
Alarm input / output	Digital 1 input (TTL, +3 – 5VDC) / 1 Output (MOS Relay contact N.O., Load max. 40VDC/300mA)





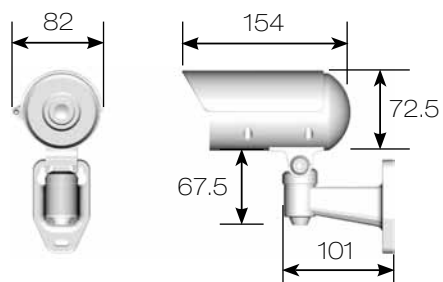
LR7022 in the L series is featuring built-in Sense up+ technology to deliver stunning video in low-light conditions. Utilizing intelligent image signal processing, 2D WDR function, AGC control, and 3D Noise Reduction, the combination successfully delivers the ultimate low-light image without motion blur. The IP66-rated housing is designed to help the camera body withstand rain and dust and ensures operation under a multitude of harsh weather conditions. Support with PoE, privacy mask, White balance, and minimum illumination 0.15 Lux at F1.6 Low Light Mode or 0.18 Lux at F1.8 Low Light Mode.

FEATURES :

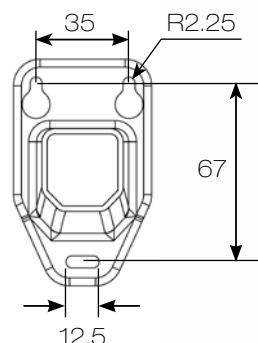
- Full HD 2 megapixel CMOS image sensor
- True H.264 AVC/MPEG-4 part 10
- H.264 and Motion JPEG triple Video streaming
- 3D Noise Reduction (MCTF)
- 2D WDR function
- Digital zoom supported
- Motion detection
- High efficiency IR LED, Radiant distance up to 30m
- Day & Night (IR cut removable)
- ONVIF supported
- Digital I/O : 1 in, 1 out
- ONVIF supported

DIMENSIONS : (Unit : mm)

Body : 82(W) x 72.5(H) x 154(D) Bracket: 101(L)



INSTALLATION HOLE SITE DIAGRAM :



SPECIFICATION :

Name		Day & Night 1080P HD IR IP Camera		
Model		LR7022E4	LR7022E6	
Lens	Focal length	4 mm	6 mm	
	Iris	F1.6	F1.8	
	Angle of view	H	84.8°	57.6°
		V	45.2°	31.4°
	D	100.6°	67.3°	
Pick up element		1/2.7" CMOS image sensor		
Effective pixels		1920 (H) x 1080 (V) = 2,073,600 (pixel)		
Chip size		5.856mm (H) x 3.276mm (V)		
Scanning system		Progressive Scan		
Infrared cut filter		Auto / Schedule / Day (Color) / Night (Mono)		
Min. illumination		0.15 Lux at F1.6 (Low Light Mode) 0 Lux with IR LED ON	0.18 Lux at F1.8 (Low Light Mode) 0 Lux with IR LED ON	
White balance		Auto / Tungsten / Indoor / Fluorescents1 / Fluorescents2 / Outdoor1 / Outdoor2		
Back light compensation		Off / On		
Electronic shutter		1/30(1/25)s - 1/8000s		
Sense up		Off / 1 Frame / 2 Frames / 3 Frames / 7 Frames		
Sense up +		Yes		
Auto gain control		36 dB Variable Gain		
3D Noise Reduction		Off / 1 - 32 Selectable		
2D WDR		Off / x2 / x3 / x4		
Privacy masking		Off / On (4 zones)		
Image effects		Brightness, Contrast, Hue, Saturation, Sharpness, Mirror, Flip		
IP rating		IP66		
Window		Ø65 Heat Resistant Glass		
Infrared led	Peak wavelength	850nm		
	Beam spread	30°		
	Radiant distance	30M		
Operating temperature		-40°C - +50°C (-40°F - 122°F)		
Dimension		Body : 82mm(W) x 72.5mm(H) x 154mm(D) / Bracket : 101mm(L)		
Weight		600g		
Power supply		DC12V ±10% / PoE (IEEE 802.3af compliant)		
Power consumption		DC12V, 9W / PoE, 10.2W		

Network	
Video compression	H.264 , Motion JPEG
Resolution	1080P(1920 x 1080), 720P(1280 x 720), D1(720 x 480), CIF(352 x 240)
Maximum frame rate	H.264 : up to 15 fps @ 1920 x 1080 , 30fps @ 1280 x 720 , 30fps @ 720 x 480 Motion JPEG : up to 15 fps @ 1920 x 1080 , 30 fps @ 720 x 480 , 30 fps @ 352 x 240
Video streaming protocol	RTP/HTTP, RTP/TCP, RTP/UDP, Multicast
Video bitrate	128Kbps - 5Mbps
	Frame rate and bit rate controllable on-the-fly VBR / CBR / GOP supported
Security	Base64 HTTP encryption
	Multiple user access levels with password protection 10 user accounts available
Users	8 simultaneous users
Digital zoom	Yes
OSD	Text overlay for date, time, and camera name
Alarm functions	Motion detection triggering recording into SD card Image upload over FTP and E-mail by motion detection
CPU, memory	Embedded SoC ARM11, 528MHz, 256MB DDR2, 256MB flash memory
Maintenance	Firmware update via HTTP
	Firmware available at web site
Network interface	10Mbps / 100Mbps Base-T, RJ-45
PC requirement	OS : Windows 2000, Windows XP, Windows Vista, Windows 7, Windows 8
	Browser : Windows Internet Explorer 6.0 or above
	CPU : Intel Pentium 4 1.8GHz or above
	RAM : 1GB or above, Independent Display Card
Network protocols	IP, TCP, UDP, HTTP, SMTP, NTP, DDNS, UPnP, FTP, ARP, DHCP, PPPoE, DNS, RTSP, RTCP, Telnet, ICMP, IGMP, ONVIF Profile S, SNMP, SIP, Bonjour
Mobile phone	iPhone, iPad, and Android support
System integration	ONVIF & LILIN HTTP API
Central management system	CMX 3.6 / NAV 1.0 support
Video display	LILIN Universal ActiveX & LILIN Java Applet
OS	Embedded Linux 2.6.32
SD card recording	Support Micro SD/SDHC card for circular recording (card is not included)

DAY & NIGHT 1080P HD VANDAL RESISTANT DOME IR IP CAMERA



IK10 vandal proof dome LR6122X in the L series is featuring built-in Sense up+ technology to deliver stunning video in low-light conditions. Utilizing intelligent image signal processing, 2D WDR function, AGC control, and 3D Noise Reduction, the combination successfully delivers the ultimate low-light image without motion blur. The IP66-rated housing is designed to help the camera body withstand rain and dust and ensures operation under a multitude of harsh weather conditions. Support with PoE, privacy mask, White balance, and minimum illumination 0.1 Lux at F1.4 Low Light Mode.

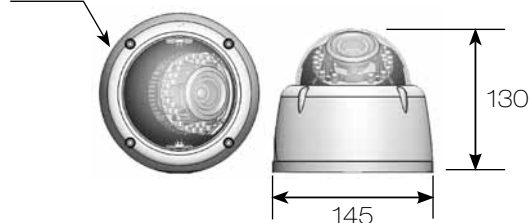
FEATURES :

- Full HD 2 megapixel CMOS image sensor
- True H.264 AVC/MPEG-4 part 10
- H.264 and Motion JPEG triple Video streaming
- 3D Noise Reduction (MCTF)
- 2D WDR function
- Digital zoom supported
- Audio / motion / alarm detection
- Impact Resistant Polycarbonate Dome Cover
- High efficiency IR LED, Radiant distance up to 25m
- Day & Night (IR cut removable)
- 2-way audio supported
- Digital I/O : 1 in, 1 out
- ONVIF supported

DIMENSIONS : (Unit : mm)

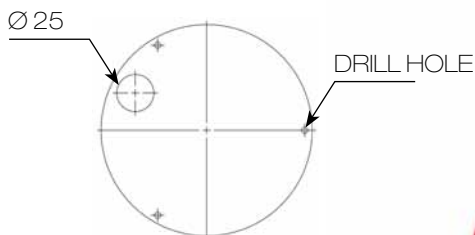
Ø145 x 130

Ø 145



INSTALLATION HOLE SITE DIAGRAM :

Ø 25



SPECIFICATION :

Name		Day & Night 1080P HD Vandal Resistant Dome IR IP Camera	
Model		LR6122EX3.6	
Lens	Focal length		3.3 – 12 mm
	Iris		F1.4
	Angle of view	H	79.3° – 29.8°
		V	59.4° – 22.4°
D		99° – 37.3°	
Pick up element		1/2.7" CMOS image sensor	
Effective pixels		1920 (H) x 1080 (V) = 2,073,600 (pixel)	
Chip size		5.856mm (H) x 3.276mm (V)	
Scanning system		Progressive Scan	
Infrared cut filter		Auto / Schedule / Day (Color) / Night (Mono)	
Min. illumination		0.1 Lux at F1.4 (Low Light Mode) / 0 Lux with IR LED ON	
White balance		Auto / Tungsten / Indoor / Fluorescents1 / Fluorescents2 / Outdoor1 / Outdoor2	
Back light compensation		Off / On	
Electronic shutter		1/30(1/25)s – 1/8000s	
Sense up		Off / 1 Frame / 2 Frames / 3 Frames / 7 Frames	
Sense up +		Yes	
Auto gain control		36 dB Variable Gain	
3D Noise Reduction		Off / 1 – 32 Selectable	
2D WDR		Off / x2 / x3 / x4	
Privacy masking		Off / On (4 zones)	
Image effects		Brightness, Contrast, Hue, Saturation, Sharpness, Mirror, Flip	
Live Video output		CVBS 1.0Vp-p, 75 ohm, RCA connector	
Audio in / output		Mono, 1.4 Vp-p , 50 K Ω , Terminal connector	
IP rating		IP67	
Vandal resistant rating		IK10	
Infrared LED	Peak wavelength		850nm
	Beam spread		30°
	Radiant distance		25M
Operating temperature		-40°C – +50°C (-40°F – 122°F)	
Dimension		Ø 145 x 130mm	
Weight		1000g	
Power supply		DC12V \pm 10% / PoE (IEEE 802.3af compliant)	
Power consumption		DC12V, 9W / PoE, 10.2W	

Network	
Video compression	H.264 , Motion JPEG
Resolution	1080P(1920 x 1080), 720P(1280 x 720), D1(720 x 480), CIF(352 x 240)
Maximum frame rate	H.264 : up to 15 FPS @ 1920 x 1080, 30 FPS @ 1280 x 720 , 30 FPS @ 720 x 480
	Motion JPEG : up to 15 FPS @ 1920 x 1080, 30 FPS @ 720 x 480 , 30 FPS @ 352 x 240
Video streaming protocol	RTP/HTTP, RTP/TCP, RTP/UDP, Multicast
Video bitrate	128Kbps – 5Mbps
	Frame rate and bit rate controllable on-the-fly
	VBR / CBR / GOP supported
Security	Base64 HTTP encryption
	Multiple user access levels with password protection
	10 user accounts available
Users	8 simultaneous users
Digital zoom	Yes
OSD	Text overlay for date, time, and camera name
Alarm function	Audio / motion / alarm detection triggering recording into SD card Image upload over FTP and E-mail by audio / motion detection
CPU, memory	Embedded SoC ARM11, 528MHz, 256MB DDR2, 256MB flash memory
Maintenance	Firmware update via HTTP
	Firmware available at web site
Network interface	10Mbps / 100Mbps Base-T, RJ-45
PC requirement	OS : Windows 2000, Windows XP, Windows Vista, Windows 7, Windows 8
	Browser : Windows Internet Explorer 6.0 or above
	CPU : intel pentium 4 1.8GHz or above
	RAM : 1GB or above, independent display card
Network protocols	IP, TCP, UDP, HTTP, SMTP, NTP, DDNS, UPnP, FTP, ARP, DHCP, PPPoE, DNS, RTSP, RTCP, Telnet, ICMP, IGMP, ONVIF Profile S, SNMP
Mobile phone	iPhone, iPad, and Android support
System integration	ONVIF & LILIN HTTP API
Central management system	CMX 3.6 / NAV 1.0 support
Video display	LILIN Universal ActiveX & LILIN Java Applet
OS	Embedded Linux 2.6.32
Two-way audio	G.711 / PCM
SD card recording	Support Micro SD/SDHC card for circular recording (card is not included)
Alarm input / output	Digital 1 input (TTL, +3 – 5VDC) / 1 Output (MOS Relay contact N.O., Load max. 40VDC/300mA)



DAY & NIGHT 1080P HD VANDAL RESISTANT DOME IR IP CAMERA



IK7 vandal proof dome LR6022X in the L series is featuring built-in Sense up+ technology to deliver stunning video in low-light conditions. Utilizing intelligent image signal processing, 2D WDR function, AGC control, and 3D Noise Reduction, the combination successfully delivers the ultimate low-light image without motion blur. The IP66-rated housing is designed to help the camera body withstand rain and dust and ensures operation under a multitude of harsh weather conditions. Support with PoE, privacy mask, White balance, and minimum illumination 0.1 Lux at F1.4 Low Light Mode.

FEATURES :

- Full HD 2 megapixel CMOS image sensor
- True H.264 AVC/MPEG-4 part 10
- H.264 and Motion JPEG triple video streaming
- 3D noise reduction (MCTF)
- 2D WDR function
- Digital zoom supported
- Motion detection alarm function
- High efficiency IR LED, radiant distance up to 25m
- Innovative external adjustment with waterproof for zoom and focus of Vari-Focal lens
- Day & Night (IR cut removable)
- ONVIF Profile S supported

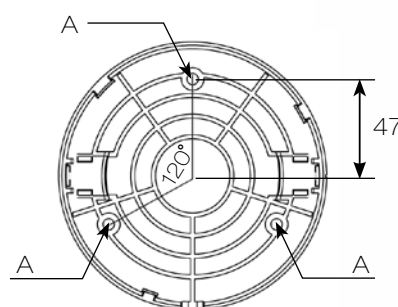
DIMENSIONS : (Unit : mm)

Ø130 x 115

Ø 130



INSTALLATION HOLE SITE DIAGRAM :



A (M3.0*25, wooden screw)

SPECIFICATION :

Name		Day & Night 1080P HD Vandal Resistant Dome IR IP Camera	
Model		LR6022EX3.6	
Lens	Focal length		3.3 – 12 mm
	Iris		F1.4
	Angle of view	H	79.3° – 29.8°
		V	59.4° – 22.4°
D		99° – 37.3°	
Pick up element		1/2.7" CMOS image sensor	
Effective pixels		1920 (H) x 1080 (V) = 2,073,600 (pixel)	
Chip size		5.856mm (H) x 3.276mm (V)	
Scanning system		Progressive Scan	
Infrared cut filter		Auto / Schedule / Day (Color) / Night (Mono)	
Min. illumination		0.1 Lux at F1.4 (Low Light Mode) / 0 Lux with IR LED ON	
White balance		Auto / Tungsten / Indoor / Fluorescents1 / Fluorescents2 / Outdoor1 / Outdoor2	
Back light compensation		Off / On	
Electronic shutter		1/30(1/25)s – 1/8000s	
Sense up		Off / 1 Frame / 2 Frames / 3 Frames / 7 Frames	
Sense up +		Yes	
Auto gain control		36 dB Variable Gain	
3D Noise Reduction		Off / 1 – 32 Selectable	
2D WDR		Off / x2 / x3 / x4	
Privacy masking		Off / On (4 zones)	
Image effects		Brightness, Contrast, Hue, Saturation, Sharpness, Mirror, Flip	
IP rating		IP66	
Vandal resistant rating		IK7	
Infrared LED	Peak wavelength		850nm
	Beam spread		30°
	Radiant distance		25M
Operating temperature		-40°C – +50°C (-40°F – 122°F)	
Dimension		Ø 130 x 115mm	
Weight		1000g	
Power supply		DC12V ±10% / PoE (IEEE 802.3af compliant)	
Power consumption		DC12V, 9W / PoE, 10.2W	

Network			
Video compression		H.264 , Motion JPEG	
Resolution		1080P(1920 x 1080), 720P(1280 x 720), D1(720 x 480), CIF(352 x 240)	
Multiple profile	Profile #1	H.264 : up to 15 fps @ 1920 x 1080 , 30fps @ 1280 x 720 , 30fps @ 720 x 480	
	Profile #2	Motion JPEG : up to 15 fps @ 1920 x 1080 , 30 fps @ 720 x 480 , 30 fps @ 352 x 240	
Video streaming		RTP/HTTP, RTP/TCP, RTP/UDP, Multicast	
Video bitrate	128Kbps – 5Mbps		
	Frame rate and bit rate controllable on-the-fly		
	VBR / CBR / GOP supported		
Security	Base64 HTTP encryption		
	Multiple user access levels with password protection		
	10 user accounts available		
Users		8 simultaneous users	
ePTZ & digital zoom		Yes	
OSD		Text overlay for date, time, and camera name	
Alarm functions		Image upload over FTP and E-mail by motion detection	
CPU, memory		Embedded SoC ARM11, 528MHz, 256MB DDR2, 256MB flash memory	
Maintenance	Firmware update via HTTP		
	Firmware available at web site		
Network interface		10Mbps / 100Mbps Base-T, RJ-45	
PC requirement	OS : Windows 2000, Windows XP, Windows Vista, Windows 7, Windows 8		
	Browser : Windows Internet Explorer 6.0 or above		
	CPU : Intel Pentium 4 1.8GHz or above		
	RAM : 1GB or above, Independent Display Card		
Network protocols		IP, TCP, UDP, HTTP, SMTP, NTP, DDNS, UPnP, FTP, ARP, DHCP, PPPoE, DNS, RTSP, RTCP, Telnet, ICMP, IGMP, ONVIF Profile S, SNMP, SIP, Bonjour	
Mobile phone		iPhone, iPad, and Android support	
System integration		ONVIF & LILIN HTTP API	
Central management system		CMX 3.6 / NAV 1.0 support	
Video display		LILIN Universal ActiveX & LILIN Java Applet	
OS		Embedded Linux 2.6.32	





LR2322X in the L series is featuring embedded mount as well as ceiling mount installation in response to diverse array of environments for total situational awareness. The camera has built-in Sense up+ technology to deliver stunning video in low-light conditions. Utilizing intelligent image signal processing, 2D WDR function, AGC control, and 3D Noise Reduction, the combination successfully delivers the ultimate low-light image without motion blur. Support with PoE, privacy mask, White balance, and minimum illumination 0.1 Lux at F1.4 Low Light Mode.

FEATURES :

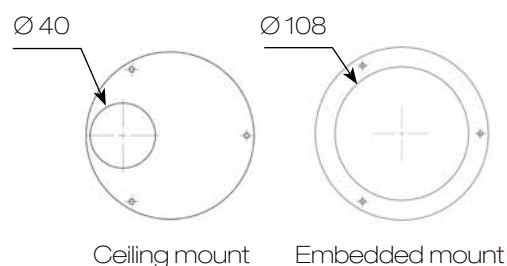
- Full HD 2 megapixel CMOS image sensor
- True H.264 AVC/MPEG-4 part 10
- H.264 and Motion JPEG triple Video streaming
- 3D Noise Reduction (MCTF)
- 2D WDR function
- Digital zoom supported
- Audio / motion / alarm detection
- Ceiling mount and Embedded mount installation
- High efficiency IR LED, Radiant distance up to 25m
- Day & Night (IR cut removable)
- 2-way audio supported
- Digital I/O : 1 in, 1 out
- ONVIF supported

DIMENSIONS : (Unit : mm)

Ø150 x 134



INSTALLATION HOLE SITE DIAGRAM :



SPECIFICATION :

Name		Day & Night 1080P HD Vari-focal Dome IR IP Camera	
Model		LR2322EX3.6	
Lens	Focal length		3.3 – 12 mm
	Iris		F1.4
	Angle of view	H	79.3° – 29.8°
		V	59.4° – 22.4°
		D	99° – 37.3°
Pick up element		1/2.7" CMOS image sensor	
Effective pixels		1920 (H) x 1080 (V) = 2,073,600 (pixel)	
Chip size		5.856mm (H) x 3.276mm (V)	
Scanning system		Progressive Scan	
Infrared cut filter		Auto / Schedule / Day (Color) / Night (Mono)	
Min. illumination		0.1 Lux at F1.4 (Low Light Mode) / 0 Lux with IR LED ON	
White balance		Auto / Tungsten / Indoor / Fluorescents1 / Fluorescents2 / Outdoor1 / Outdoor2	
Back light compensation		Off / On	
Electronic shutter		1/30(1/25)s – 1/8000s	
Sense up		Off / 1 Frame / 2 Frames / 3 Frames / 7 Frames	
Sense up +		Yes	
Auto gain control		36 dB Variable Gain	
3D Noise Reduction		Off / 1 – 32 Selectable	
2D WDR		Off / x2 / x3 / x4	
Privacy masking		Off / On (4 zones)	
Image effects		Brightness, Contrast, Hue, Saturation, Sharpness, Mirror, Flip	
Live Video output		CVBS 1.0Vp-p, 75 ohm, RCA connector	
Audio in / output		Mono, 1.4 Vp-p , 50 K Ω , 3.5mm phone jack	
Infrared LED	Peak wavelength	850nm	
	Beam spread	30°	
	Radiant distance	25M	
Operating temperature		-25°C – +50°C (-13°F – 122°F)	
Dimension		Ø 150 x 134mm	
Weight		640g	
Power supply		DC12V \pm 10% / PoE (IEEE 802.3af compliant)	
Power consumption		DC12V, 9W / PoE, 10.2W	

Network	
Video compression	H.264 , Motion JPEG
Resolution	1080P(1920 x 1080), 720P(1280 x 720), D1(720 x 480), CIF(352 x 240)
Maximum frame rate	H.264 : up to 15 fps @ 1920 x 1080 , 30fps @ 1280 x 720 , 30fps @ 720 x 480 Motion JPEG : up to 15 fps @ 1920 x 1080 , 30 fps @ 720 x 480 , 30 fps @ 352 x 240
Video streaming protocol	RTP/HTTP, RTP/TCP, RTP/UDP, Multicast
Video bitrate	128Kbps – 5Mbps Frame rate and bit rate controllable on-the-fly VBR / CBR / GOP supported
Security	Base64 HTTP encryption Multiple user access levels with password protection 10 user accounts available
Users	8 simultaneous users
Digital zoom	Yes
OSD	Text overlay for date, time, and camera name
Alarm function	Alarm / motion detection triggering recording into SD card Image upload over FTP and E-mail by audio / motion detection
CPU, memory	Embedded SoC ARM11, 528MHz, 256MB DDR2, 256MB flash memory
Maintenance	Firmware update via HTTP Firmware available at web site
Network interface	10Mbps / 100Mbps Base-T, RJ-45
PC requirement	OS : Windows 2000, Windows XP, Windows Vista, Windows 7, Windows 8 Browser : Windows Internet Explorer 6.0 or above CPU : Intel Pentium 4 1.8GHz or above RAM : 1GB or above, Independent Display Card
Network protocols	IP, TCP, UDP, HTTP, SMTP, NTP, DDNS, UPnP, FTP, ARP, DHCP, PPPoE, DNS, RTSP, RTCP, Telnet, ICMP, IGMP, ONVIF Profile S, SNMP, SIP, Bonjour
Mobile phone	iPhone, iPad, and Android support
System integration	ONVIF & LILIN HTTP API
Central management system	CMX 3.6 / NAV 1.0 support
Video display	LILIN Universal ActiveX & LILIN Java Applet
OS	Embedded Linux 2.6.32
Two-way audio	G.711 / PCM
SD card recording	Support Micro SD/SDHC card for circular recording (card is not included)
Alarm input / output	Digital 1 input (TTL, +3 – 5VDC) / 1 Output (MOS Relay contact N.O., Load max. 40VDC/300mA)



LR7922E2/4/6 in the L series is featuring built-in Sense Up+ technology to deliver stunning video in low-light conditions. Utilizing intelligent image signal processing, Auto Gain Control, and 3D Noise Reduction, the combination successfully delivers the ultimate low-light image without motion blur. The IP67-rated housing is designed to help the camera body withstand rain and dust and ensures operation under a multitude of harsh weather conditions. Support with PoE, privacy masking, white balance, and minimum illumination 0.15 Lux at F1.6 Low Light Mode.

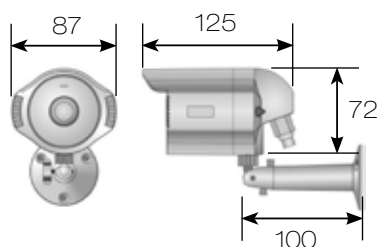
LR7922E2/4/6 is shipped with video management software – Navigator that offers a range of functions including ePOS connectivity and database searching. The software enables users to view, record, and manage up to 108 channels of video recordings. With built-in IR-cut filter, white balance, back light compensation, and motion detection feature to deliver quality videos.

FEATURES :

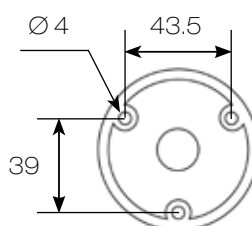
- Full HD 2 megapixel CMOS image sensor
- True H.264 AVC/MPEG-4 part 10
- H.264 and Motion JPEG triple Video streaming
- 3D Noise Reduction (MCTF)
- 2D WDR function
- Digital zoom supported
- Motion detection alarm function
- High efficiency IR LED, Radiant distance up to 20m
- Day & Night (IR cut removable)
- ONVIF profile S supported

DIMENSIONS : (Unit : mm)

Body: 87mm (W) x 72mm (H) x 125mm (D)
Bracket: 100mm (L)



INSTALLATION HOLE SITE DIAGRAM :



SPECIFICATION :

Name		Day & night 1080P HD IR IP camera	
Model		LR7922E4	LR7922E6
Lens	Focal length		4mm
	Iris		F1.6
	Angle of view	H	84.8°
		V	45.2°
D		100.6°	
Pick up element		1/2.7" CMOS image sensor	
Effective Pixels		1,920 (H) x 1,080 (V) = 2,073,600 (pixel)	
Chip size		5.856mm (H) x 3.276mm (V)	
Scanning System		Progressive Scan	
Infrared cut filter		Auto / Schedule / day (color) / night (mono)	
Minimum illumination		0.15 Lux at F1.6 (Low light mode) / 0 Lux with IR LED ON	0.18 Lux at F1.8 (Low light mode) / 0 Lux with IR LED ON
White balance		Auto / tungsten / indoor / fluorescents1 / fluorescents2 / outdoor1 / outdoor2	
Back light compensation		Off / On	
Electronic shutter		1/30(1/25)s - 1/8000s	
Sense up		Off / 1 frame / 2 frames / 3 frames / 7 frames	
Sense up +		Yes	
Auto gain control		36 dB Variable Gain	
3D Noise Reduction		Off / 1-32 selectable	
2D WDR		Off / x2 / x3 / x4	
Privacy masking		Off / On (4 zones)	
Image effects		Brightness, Contrast, Hue, Saturation, Sharpness, Mirror, Flip	
IP Rating		IP67	
Window		Ø 63.8 heat resistant glass	
Infrared LED	Peak wavelength		850nm
	Beam spread		30°
	Radiant distance		20M
Operation Temperature		- 40°C - + 50°C (-40°F - 122°F)	
Dimension		Body: 87mm (W) x 72mm (H) x 125mm (D), Bracket: 100mm (L)	
Weight		630g	
Power supply		DC12V ±10% / PoE (IEEE 802.3af compliant)	
Power consumption		DC12V, 5.6W / PoE, 6.5W	

Network	
Video compression	H.264, Motion JPEG
Resolution	1080P(1920 x 1080), 720P(1280 x 720), D1(720 x 480), CIF(352 x 240)
Maximum frame rate	H.264: up to 15 fps @ 1920 x 1080, 30 fps @ 1280 x 720, 30 fps @ 720 x 480 Motion JPEG: up to 15 fps @ 1920 x 1080, 30 fps @ 720 x 480, 30 fps @ 352 x 240
Video streaming	RTP/HTTP, RTP/TCP, RTP/UDP, Multicast
Video bitrate	128 Kbps to 5 Mbps
	Frame rate and bit rate controllable on-the-fly
	VBR / CBR / GOP supported
Security	Base64 HTTP encryption
	Multiple user access levels with password protection
	10 user accounts available
Users	8 simultaneous users
Digital zoom	Yes
OSD	Text overly for date, time , camera name
Alarm Function	Motion detection triggering recording into SD card
	Image upload over FTP and E-mail by motion detection
CPU, memory	Embedded SoC ARM11,528MHz, 256MB DDR2, 256MB flash memory
Maintenance	Firmware update via HTTP
	Firmware available at web site
Network Interface	10Mbps / 100Mbps Base-T, RJ-45
PC requirement	OS: Windows 2000 , Windows XP , Windows Vista, Windows 7, Windows 8
	Browser : Windows Internet Explorer 6.0 or above
	CPU : Intel Pentium 4 1.8GHz or above
	RAM : 1GB or above, Independent Display Card
Network protocols	IP, TCP, UDP, HTTP, SMTP, NTP, DDNS, UPnP, FTP, ARP, DHCP, PPPoE, DNS, RTSP, RTCP, Telnet, ICMP, IGMP, ONVIF Profile S, SNMP, SIP, Bonjour
Mobile phone and PDA	iPhone, iPad and Android support
System integration	ONVIF & LILIN HTTP API
Central management system	CMX HD 3.6 / Navigator 1.0 support
Video display	LILIN Universal ActiveX & LILIN Java Applet
OS	Embedded Linux 2.6.32
SD Card Recording	Support Micro SD / SDHC card for circular recording (card is not included)



Fixed dome LR2122 in the L series is featuring built-in Sense up+ technology to deliver stunning video in low-light conditions. Utilizing intelligent image signal processing, 2D WDR function, AGC control, and 3D Noise Reduction, the combination successfully delivers the ultimate low-light image without motion blur. Support with PoE, privacy mask, White balance, and minimum illumination 0.15 Lux at F 1.6 Low Light Mode or 0.18 Lux at F1.8 Low Light Mode.

FEATURES :

- Full HD 2 megapixel CMOS image sensor
- True H.264 AVC/MPEG-4 part 10
- H.264 and Motion JPEG triple video streaming
- 3D noise reduction (MCTF)
- 2D WDR function
- Digital zoom supported
- Motion detection alarm function
- 3-Axis camera construction
- Screw-on design dome cover for easy and secure installation
- High efficiency IR LED, radiant distance up to 16m
- Day & Night (IR cut removable)
- ONVIF Profile S supported

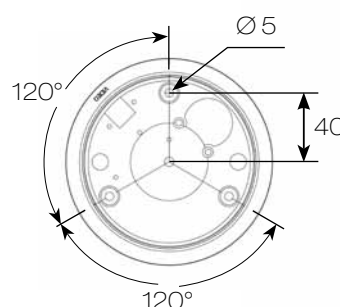
DIMENSIONS : (Unit : mm)

Ø120 x 102

Ø120



INSTALLATION HOLE SITE DIAGRAM :



SPECIFICATION :

Name		Day & Night 1080P HD Dome IR IP Camera		
Model		LR2122E4	LR2122E6	
Lens	Focal length	4 mm	6 mm	
	Iris	F1.6	F1.8	
	Angle of view	H	84.8°(H), 45.2°(V), 100.6°(D)	57.6°(H), 31.4°(V), 67.3°(D)
		V	37.4°	25.4°
D	69.2°	49.4°		
Pick up element		1/2.7" CMOS image sensor		
Effective pixels		1920 (H) x 1080 (V) = 2,073,600 (pixel)		
Chip size		5.856mm (H) x 3.276mm (V)		
Scanning system		Progressive Scan		
Infrared cut filter		Auto / Schedule / Day (Color) / Night (Mono)		
Min. illumination		0.15 Lux at F1.6 (Low Light Mode) 0 Lux with IR LED ON	0.18 Lux at F1.8 (Low Light Mode) 0 Lux with IR LED ON	
White balance		Auto / Tungsten / Indoor / Fluorescents1 / Fluorescents2 / Outdoor1 / Outdoor2		
Back light compensation		Off / On		
Electronic shutter		1/30(1/25)s - 1/8000s		
Sense up		Off / 1 Frame / 2 Frames / 3 Frames / 7 Frames		
Sense up +		Yes		
Auto gain control		36 dB Variable Gain		
3D Noise Reduction		Off / 1 - 32 Selectable		
2D WDR		Off / x2 / x3 / x4		
Privacy masking		Off / On (4 zones)		
Image effects		Brightness, Contrast, Hue, Saturation, Sharpness, Mirror, Flip		
Infrared LED	Peak wavelength	850nm		
	Beam spread	30°		
	Radiant distance	16M		
Operating temperature		-25°C - +50°C (-13°F - 122°F)		
Dimension		Ø 120 x 102mm		
Weight		450g		
Power supply		DC12V ±10% / PoE (IEEE 802.3af compliant)		
Power consumption		DC12V, 7.5W / PoE, 8.5W		

Network	
Video compression	H.264 , Motion JPEG
Resolution	1080P(1920 x 1080), 720P(1280 x 720), D1(720 x 480), CIF(352 x 240)
Maximum frame rate	H.264 : up to 15 fps @ 1920 x 1080 , 30fps @ 1280 x 720 , 30fps @ 720 x 480 Motion JPEG : up to 15 fps @ 1920 x 1080 , 30 fps @ 720 x 480 , 30 fps @ 352 x 240
Video streaming protocol	RTP/HTTP, RTP/TCP, RTP/UDP, Multicast
Video bitrate	128Kbps - 5Mbps Frame rate and bit rate controllable on-the-fly VBR / CBR / GOP supported
Security	Base64 HTTP encryption Multiple user access levels with password protection 10 user accounts available
Users	8 simultaneous users
Digital zoom	Yes
OSD	Text overlay for date, time, and camera name
Alarm functions	Image upload over FTP and E-mail by motion detection
CPU, memory	Embedded SoC ARM11, 528MHz, 256MB DDR2, 256MB flash memory
Maintenance	Firmware update via HTTP Firmware available at web site
Network interface	10Mbps / 100Mbps Base-T, RJ-45
PC requirement	OS : Windows 2000, Windows XP, Windows Vista, Windows 7, Windows 8 Browser : Windows Internet Explorer 6.0 or above CPU : Intel Pentium 4 1.8GHz or above RAM : 1GB or above, Independent Display Card
Network protocols	IP, TCP, UDP, HTTP, SMTP, NTP, DDNS, UPnP, FTP, ARP, DHCP, PPPoE, DNS, RTSP, RTCP, Telnet, ICMP, IGMP, ONVIF Profile S, SNMP, SIP, Bonjour
Mobile phone	iPhone, iPad, and Android support
System integration	ONVIF & LILIN HTTP API
Central management system	CMX 3.6 / NAV 1.0 support
Video display	LILIN Universal ActiveX & LILIN Java Applet
OS	Embedded Linux 2.6.32



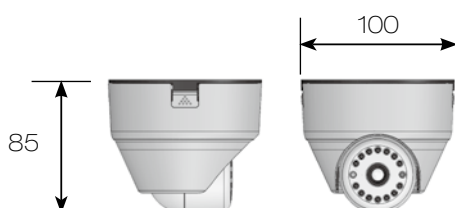
Fixed dome LR2522 in the L series is featuring built-in Sense up+ technology to deliver stunning video in low-light conditions. Utilizing intelligent image signal processing, 2D WDR function, AGC control, and 3D Noise Reduction, the combination successfully delivers the ultimate low-light image without motion blur. Support with PoE, privacy mask, White balance, and minimum illumination 0.15 Lux at F1.6 / 0.18 Lux at F1.8 Low Light Mode.

FEATURES :

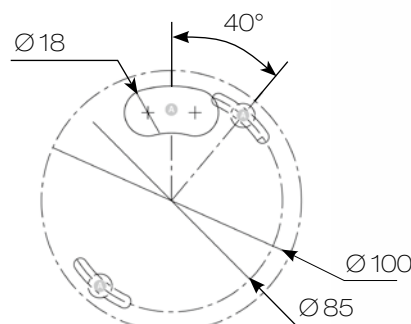
- Full HD 2 megapixel CMOS image sensor
- True H.264 AVC/MPEG-4 part 10
- H.264 and Motion JPEG triple video streaming
- 3D noise reduction (MCTF)
- 2D WDR function
- Digital zoom supported
- Audio / Motion detection alarm function
- Built-in highly sensitive microphone
- High efficiency IR LED, radiant distance up to 10m
- Day & Night (IR cut removable)
- 2-way audio supported
- Digital I/O : 1 in, 1 out
- ONVIF Profile S supported

DIMENSIONS : (Unit : mm)

Ø100 x 85



INSTALLATION HOLE SITE DIAGRAM :



SPECIFICATION :

Name		Day & Night 1080P HD Dome IR IP Camera	
Model		LR2522E4	LR2522E6
Lens	Focal length	4 mm	6 mm
	Angle of view	Iris	F1.6
		H	84.8°
		V	45.2°
D	100.6°	67.3°	
Pick up element	1/2.7" CMOS image sensor		
Effective pixels	1920 (H) x 1080 (V) = 2,073,600 (pixel)		
Chip size	5.856mm (H) x 3.276mm (V)		
Scanning system	Progressive Scan		
Infrared cut filter	Auto / Schedule / Day (Color) / Night (Mono)		
Min. illumination	0.15 Lux at F1.6 (Low Light Mode) 0 Lux with IR LED ON	0.18 Lux at F1.8 (Low Light Mode) 0 Lux with IR LED ON	
White balance	Auto / Tungsten / Indoor / Fluorescents1 / Fluorescents2 / Outdoor1 / Outdoor2		
Back light compensation	Off / On		
Electrical shutter	1/30(1/25)s - 1/8000s		
Sense up	Off / 1 Frame / 2 Frames / 3 Frames / 7 Frames		
Sense up +	Yes		
Auto gain control	36 dB Variable Gain		
3D Noise Reduction	Off / 1 - 32 Selectable		
2D WDR	Off / x2 / x3 / x4		
Privacy masking	Off / On (4 zones)		
Image effects	Brightness, Contrast, Hue, Saturation, Sharpness, Mirror, Flip		
Audio in / output	Mono, 1.4 Vp-p , 50 KΩ , Terminal connector		
Infrared led	Peak wavelength	850nm	
	Beam spread	30°	
	Radiant distance	10M	
Operating temperature	-25°C - +50°C (-13°F - 122°F)		
Dimension	Ø 100 x 85mm		
Weight	280g		
Power supply	DC12V ±10% / PoE (IEEE 802.3af compliant)		
Power consumption	DC12V, 7.5W / PoE, 8.5W		

Network	
Video compression	H.264 , Motion JPEG
Resolution	1080P(1920 x 1080), 720P(1280 x 720), D1(720 x 480), CIF(352 x 240)
Maximum frame rate	H.264 : up to 15 fps @ 1920 x 1080 , 30fps @ 1280 x 720 , 30fps @ 720 x 480 Motion JPEG : up to 15 fps @ 1920 x 1080 , 30 fps @ 720 x 480 , 30 fps @ 352 x 240
Video streaming protocol	RTP/HTTP, RTP/TCP, RTP/UDP, Multicast
Video bitrate	128Kbps - 5Mbps Frame rate and bit rate controllable on-the-fly VBR / CBR / GOP supported
Security	Base64 HTTP encryption Multiple user access levels with password protection 10 user accounts available
Users	8 simultaneous users
Digital zoom	Yes
OSD	Text overlay for date, time, and camera name
Alarm functions	Alarm / motion detection triggering recording into SD card Image upload over FTP and E-mail by audio / motion detection
CPU, memory	Embedded SoC ARM11, 528MHz, 256MB DDR2, 256MB flash memory
Maintenance	Firmware update via HTTP Firmware available at web site
Network Interface	10Mbps / 100Mbps Base-T, RJ-45
PC requirement	OS : Windows 2000, Windows XP, Windows Vista, Windows 7, Windows 8 Browser : Windows Internet Explorer 6.0 or above CPU : Intel Pentium 4 1.8GHz or above RAM : 1GB or above, Independent Display Card
Network protocols	IP, TCP, UDP, HTTP, SMTP, NTP, DDNS, UPnP, FTP, ARP, DHCP, PPPoE, DNS, RTSP, RTCP, Telnet, ICMP, IGMP, ONVIF Profile S, SNMP, SIP, Bonjour
Mobile phone and PDA	iPhone, iPad, and Android support
System Integration	ONVIF & LILIN HTTP API
Central management system	CMX 3.6 / NAV 1.0 support
Video display	LILIN Universal ActiveX & LILIN Java Applet
OS	Embedded Linux 2.6.32
Two-way audio	G.711 / PCM
SD card recording	Support Micro SD/SDHC card for circular recording (card is not included)
Alarm input / output	Digital 1 input (TTL, +3 - 5VDC) / 1 Output (MOS Relay contact N.O., Load max. 40VDC/300mA)



IK10 vandal proof dome LD6122X in the L series is featuring built-in Sense up+ technology to deliver stunning video in low-light conditions. Utilizing intelligent image signal processing, 2D WDR function, AGC control, and 3D Noise Reduction, the combination successfully delivers the ultimate low-light image without motion blur. The IP67-rated housing is designed to help the camera body withstand rain and dust and ensures operation under a multitude of harsh weather conditions. Support with PoE, privacy mask, White balance, and minimum illumination 0.1 Lux at F1.4 Low Light Mode.

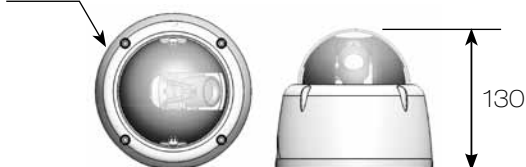
FEATURES :

- Full HD 2 megapixel CMOS image sensor
- True H.264 AVC/MPEG-4 part 10
- H.264 and Motion JPEG triple video streaming
- 3D noise reduction (MCTF)
- 2D WDR function
- Digital zoom supported
- Audio / Motion detection alarm function
- Impact Resistant Polycarbonate Dome Cover
- Day & Night (IR cut removable)
- 2-way audio supported
- Digital I/O : 1 in, 1 out
- ONVIF Profile S supported

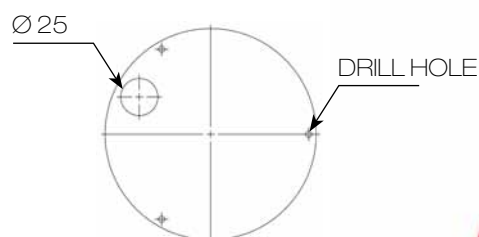
DIMENSIONS : (Unit : mm)

Ø145 x 130

Ø 145



INSTALLATION HOLE SITE DIAGRAM :



SPECIFICATION :

Name	Day & Night 1080P HD Vandal Resistant Dome IP Camera		
Model	LD6122EX3.6		
Lens	Focal length	3.3 – 12 mm	
	Iris	F1.4	
	Angle of view	H	79.3° – 29.8°
		V	59.4° – 22.4°
	D	99° – 37.3°	
Pick up element	1/2.7" CMOS image sensor		
Effective pixels	1920 (H) x 1080 (V) = 2,073,600 (pixel)		
Chip size	5.856mm (H) x 3.276mm (V)		
Scanning system	Progressive Scan		
Infrared cut filter	Auto / Schedule / Day (Color) / Night (Mono)		
Min. illumination	0.1 Lux at F1.4 (Low Light Mode) / 0 Lux with IR LED ON		
White balance	Auto / Tungsten / Indoor / Fluorescents1 / Fluorescents2 / Outdoor1 / Outdoor2		
Back light compensation	Off / On		
Electronic shutter	1/30(1/25)s – 1/8000s		
Sense up	Off / 1 Frame / 2 Frames / 3 Frames / 7 Frames		
Sense up +	Yes		
Auto gain control	36 dB Variable Gain		
3D Noise Reduction	Off / 1 – 32 Selectable		
2D WDR	Off / x2 / x3 / x4		
Privacy masking	Off / On (4 zones)		
Image effects	Brightness, Contrast, Hue, Saturation, Sharpness, Mirror, Flip		
Live Video output	CVBS 1.0Vp-p, 75 ohm, RCA connector		
Audio in / output	Mono, 1.4 Vp-p , 50 K Ω , Terminal connector		
IP rating	IP67		
Vandal resistant rating	IK10		
Operating temperature	-40°C – +50°C (-40°F – 122°F)		
Dimension	Ø 145 x 130mm		
Weight	960g		
Power supply	DC12V \pm 10% / PoE (IEEE 802.3af compliant)		
Power consumption	DC12V, 6W / PoE, 7.5W		

Network	
Video compression	H.264 , Motion JPEG
Resolution	1080P(1920 x 1080), 720P(1280 x 720), D1(720 x 480), CIF(352 x 240)
Maximum frame rate	H.264 : up to 15 fps @ 1920 x 1080 , 30fps @ 1280 x 720 , 30fps @ 720 x 480 Motion JPEG : up to 15 fps @ 1920 x 1080 , 30 fps @ 720 x 480 , 30 fps @ 352 x 240
Video streaming protocol	RTP/HTTP, RTP/TCP, RTP/UDP, Multicast
Video bitrate	128Kbps – 5Mbps
	Frame rate and bit rate controllable on-the-fly
	VBR / CBR / GOP supported
Security	Base64 HTTP encryption
	Multiple user access levels with password protection
	10 user accounts available
Users	8 simultaneous users
Digital zoom	Yes
OSD	Text overlay for date, time, and camera name
Alarm function	Alarm / motion detection triggering recording into SD card Image upload over FTP and E-mail by audio / motion detection
CPU, memory	Embedded SoC ARM11, 528MHz, 256MB DDR2, 256MB flash memory
Maintenance	Firmware update via HTTP
	Firmware available at web site
Network interface	10Mbps / 100Mbps Base-T, RJ-45
PC requirement	OS : Windows 2000, Windows XP, Windows Vista, Windows 7, Windows 8
	Browser : Windows Internet Explorer 6.0 or above
	CPU : Intel Pentium 4 1.8GHz or above
	RAM : 1GB or above, Independent Display Card
Network protocols	IP, TCP, UDP, HTTP, SMTP, NTP, DDNS, UPnP, FTP, ARP, DHCP, PPPoE, DNS, RTSP, RTCP, Telnet, ICMP, IGMP, ONVIF Profile S, SNMP, SIP, Bonjour
Mobile phone	iPhone, iPad, and Android support
System integration	ONVIF & LILIN HTTP API
Central management system	CMX 3.6 / NAV 1.0 support
Video display	LILIN Universal ActiveX & LILIN Java Applet
OS	Embedded Linux 2.6.32
Two-way audio	G.711 / PCM
SD card recording	Support Micro SD/SDHC card for circular recording (card is not included)
Alarm input / output	Digital 1 input (TTL, +3 – 5VDC) / 1 Output (MOS Relay contact N.O., Load max. 40VDC/300mA)



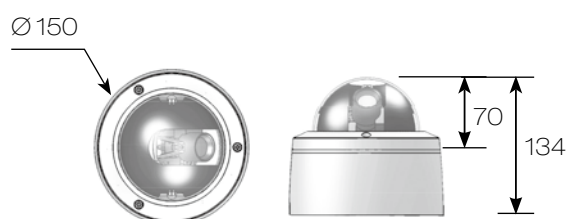
LD2322X in the L series is featuring embedded mount as well as ceiling mount installation in response to diverse array of environments for total situational awareness. The camera has built-in Sense up+ technology to deliver stunning video in low-light conditions. Utilizing intelligent image signal processing, 2D WDR function, AGC control, and 3D Noise Reduction, the combination successfully delivers the ultimate low-light image without motion blur. Support with PoE, privacy mask, White balance, and minimum illumination 0.1 Lux at F1.4 Low Light Mode.

FEATURES :

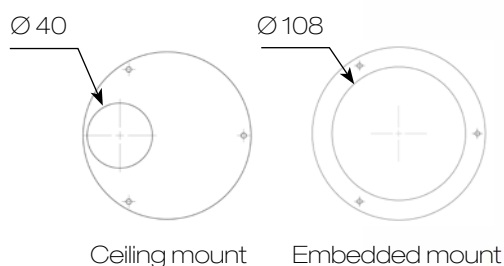
- Full HD 2 megapixel CMOS image sensor
- True H.264 AVC/MPEG-4 part 10
- H.264 and Motion JPEG triple video streaming
- 3D noise reduction (MCTF)
- 2D WDR function
- Digital zoom supported
- Audio / Motion detection alarm function
- Ceiling mount and Embedded mount installation
- Day & Night (IR cut removable)
- 2-way audio supported
- Digital I/O : 1 in, 1 out
- ONVIF Profile S supported

DIMENSIONS : (Unit : mm)

Ø150 x 134



INSTALLATION HOLE SITE DIAGRAM :



SPECIFICATION :

Name	Day & Night 1080P HD Vari-focal Dome IP Camera		
Model	LD2322EX3.6		
Lens	Focal length	3.3 - 12 mm	
	Iris	F1.4	
	Angle of view	H	79.3° - 29.8°
		V	59.4° - 22.4°
	D	99° - 37.3°	
Pick up element	1/2.7" CMOS image sensor		
Effective pixels	1920 (H) x 1080 (V) = 2,073,600 (pixel)		
Chip size	5.856mm (H) x 3.276mm (V)		
Scanning system	Progressive Scan		
Infrared cut filter	Auto / Schedule / Day (Color) / Night (Mono)		
Min. illumination	0.1 Lux at F1.4 (Low Light Mode) / 0 Lux with IR LED ON		
White balance	Auto / Tungsten / Indoor / Fluorescents1 / Fluorescents2 / Outdoor1 / Outdoor2		
Back light compensation	Off / On		
Electronic shutter	1/30(1/25)s - 1/8000s		
Sense up	Off / 1 Frame / 2 Frames / 3 Frames / 7 Frames		
Sense up +	Yes		
Auto gain control	36 dB Variable Gain		
3D Noise Reduction	Off / 1 - 32 Selectable		
2D WDR	Off / x2 / x3 / x4		
Privacy masking	Off / On (4 zones)		
Image effects	Brightness, Contrast, Hue, Saturation, Sharpness, Mirror, Flip		
Live Video output	CVBS 1.0Vp-p, 75 ohm, RCA connector		
Audio in / output	Mono, 1.4 Vp-p, 50 K Ω , 3.5mm phone jack		
Operating temperature	-25°C - +50°C (-13°F - 122°F)		
Dimension	\varnothing 150 x 134mm		
Weight	600g		
Power supply	DC12V \pm 10% / PoE (IEEE 802.3af compliant)		
Power consumption	DC12V, 6W / PoE, 7.5W		

Network	
Video compression	H.264, Motion JPEG
Resolution	1080P(1920 x 1080), 720P(1280 x 720), D1(720 x 480), CIF(352 x 240)
Maximum frame rate	H.264 : up to 15 fps @ 1920 x 1080, 30fps @ 1280 x 720, 30fps @ 720 x 480 Motion JPEG : up to 15 fps @ 1920 x 1080, 30 fps @ 720 x 480, 30 fps @ 352 x 240
Video streaming protocol	RTP/HTTP, RTP/TCP, RTP/UDP, Multicast
Video bitrate	128Kbps - 5Mbps Frame rate and bit rate controllable on-the-fly VBR / CBR / GOP supported
Security	Base64 HTTP encryption Multiple user access levels with password protection 10 user accounts available
Users	8 simultaneous users
Digital zoom	Yes
OSD	Text overlay for date, time, and camera name
Alarm function	Alarm / motion detection triggering recording into SD card Image upload over FTP and E-mail by audio / motion detection
CPU, memory	Embedded SoC ARM11, 528MHz, 256MB DDR2, 256MB flash memory
Maintenance	Firmware update via HTTP Firmware available at web site
Network interface	10Mbps / 100Mbps Base-T, RJ-45
PC requirement	OS : Windows 2000, Windows XP, Windows Vista, Windows 7, Windows 8 Browser : Windows Internet Explorer 6.0 or above CPU : Intel Pentium 4 1.8GHz or above RAM : 1GB or above, Independent Display Card
Network protocols	IP, TCP, UDP, HTTP, SMTP, NTP, DDNS, UPnP, FTP, ARP, DHCP, PPPoE, DNS, RTSP, RTCP, Telnet, ICMP, IGMP, ONVIF Profile S, SNMP, SIP, Bonjour
Mobile phone	iPhone, iPad, and Android support
System integration	ONVIF & LILIN HTTP API
Central management system	CMX 3.6 / NAV 1.0 support
Video display	LILIN Universal ActiveX & LILIN Java Applet
OS	Embedded Linux 2.6.32
Two-way audio	G.711 / PCM
SD card recording	Support Micro SD/SDHC card for circular recording (card is not included)
Alarm input / output	Digital 1 input (TTL, +3 - 5VDC) / 1 Output (MOS Relay contact N.O., Load max. 40VDC/300mA)



Fixed dome LD2122 in the L series is featuring built-in Sense up+ technology to deliver stunning video in low-light conditions. Utilizing intelligent image signal processing, 2D WDR function, AGC control, and 3D Noise Reduction, the combination successfully delivers the ultimate low-light image without motion blur. Support with PoE, privacy mask, White balance, and minimum illumination 0.6 Lux at F1.6 Low Light Mode or 0.8 Lux at F1.8 Low Light Mode.

FEATURES :

- Full HD 2 megapixel CMOS image sensor
- True H.264 AVC/MPEG-4 part 10
- H.264 and Motion JPEG triple Video streaming
- 3D Noise Reduction (MCTF)
- 2D WDR function
- Digital zoom supported
- Motion detection
- 3-Axis camera construction
- Screw-on design dome cover for easy and secure installation
- ONVIF supported

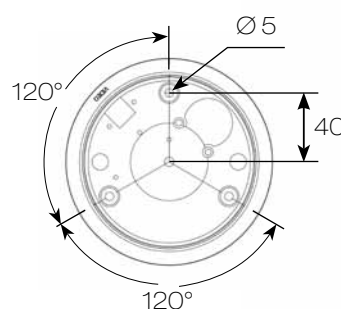
DIMENSIONS : (Unit : mm)

Ø120 x 102

Ø120



INSTALLATION HOLE SITE DIAGRAM :



SPECIFICATION :

Name		1080P HD Dome IP Camera		
Model		LD2122E4	LD2122E6	
Lens	Focal length	4 mm	6 mm	
	Iris	F1.6	F1.8	
	Angle of view	H	84.8°	57.6°
		V	45.2°	31.4°
D		100.6°	67.3°	
Pick up element	1/2.7" CMOS image sensor			
Effective pixels	1920 (H) x 1080 (V) = 2,073,600 (pixel)			
Chip size	5.856mm (H) x 3.276mm (V)			
Scanning system	Progressive Scan			
Min. illumination	0.6 Lux at F1.6	0.8 Lux at F1.8		
White balance	Auto / Tungsten / Indoor / Fluorescents1 / Fluorescents2 / Outdoor1 / Outdoor2			
Back light compensation	Off / On			
Electronic shutter	1/30(1/25)s - 1/8000s			
Sense up	Off / 1 Frame / 2 Frames / 3 Frames / 7 Frames			
Sense up +	Yes			
Auto gain control	36 dB Variable Gain			
3D Noise Reduction	Off / 1 - 32 Selectable			
2D WDR	Off / x2 / x3 / x4			
Privacy masking	Off / On (4 zones)			
Image effects	Brightness, Contrast, Hue, Saturation, Sharpness, Mirror, Flip			
Operating temperature	-25°C - +50°C (-13°F - 122°F)			
Dimension	Ø 120 x 102mm			
Weight	400g			
Power supply	DC12V ±10% / PoE (IEEE 802.3af compliant)			
Power consumption	DC12V, 5W / PoE, 6W			

Network	
Video compression	H.264 , Motion JPEG
Resolution	1080P(1920 x 1080), 720P(1280 x 720), D1(720 x 480), CIF(352 x 240)
Maximum frame rate	H.264 : up to 15 fps @ 1920 x 1080 , 30fps @ 1280 x 720 , 30fps @ 720 x 480 Motion JPEG : up to 15 fps @ 1920 x 1080 , 30 fps @ 720 x 480 , 30 fps @ 352 x 240
Video streaming protocol	RTP/HTTP, RTP/TCP, RTP/UDP, Multicast
Video bitrate	128Kbps - 5Mbps
	Frame rate and bit rate controllable on-the-fly
	VBR / CBR / GOP supported
Security	Base64 HTTP encryption
	Multiple user access levels with password protection
	10 user accounts available
Users	8 simultaneous users
Digital zoom	Yes
OSD	Text overlay for date, time, and camera name
Alarm functions	Image upload over FTP and E-mail by motion detection
CPU, memory	Embedded SoC ARM11, 528MHz, 256MB DDR2, 256MB flash memory
Maintenance	Firmware update via HTTP
	Firmware available at web site
Network interface	10Mbps / 100Mbps Base-T, RJ-45
PC requirement	OS : Windows 2000, Windows XP, Windows Vista, Windows 7, Windows 8
	Browser : Windows Internet Explorer 6.0 or above
	CPU : Intel Pentium 4 1.8GHz or above RAM : 1GB or above, Independent Display Card
Network protocols	IP, TCP, UDP, HTTP, SMTP, NTP, DDNS, UPnP, FTP, ARP, DHCP, PPPoE, DNS, RTSP, RTCP, Telnet, ICMP, IGMP, ONVIF Profile S, SNMP, SIP, Bonjour
Mobile phone	iPhone, iPad, and Android support
System integration	ONVIF & LILIN HTTP API
Central management system	CMX 3.6 / NAV 1.0 support
Video display	LILIN Universal ActiveX & LILIN Java Applet
OS	Embedded Linux 2.6.32



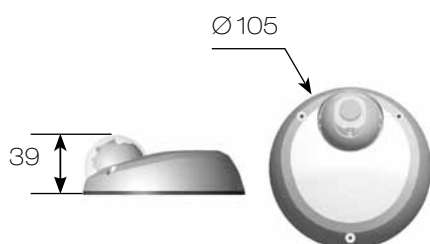
Fixed dome LD2222 in the L series is featuring built-in Sense up+ technology to deliver stunning video in low-light conditions. Utilizing intelligent image signal processing, 2D WDR function, AGC control, and 3D Noise Reduction, the combination successfully delivers the ultimate low-light image without motion blur. Support with PoE, privacy mask, White balance, and minimum illumination 0.6 Lux at F1.6 Low Light Mode or 0.8 Lux at F1.8 Low Light Mode.

FEATURES :

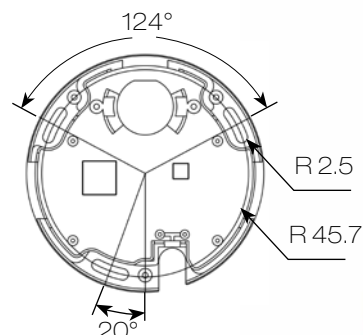
- Full HD 2 megapixel CMOS image sensor
- True H.264 AVC/MPEG-4 part 10
- H.264 and Motion JPEG triple video streaming
- 3D noise reduction (MCTF)
- 2D WDR function
- Digital zoom supported
- Audio / Motion detection alarm function
- Built-in highly sensitive microphone
- One-way audio supported
- ONVIF Profile S supported

DIMENSIONS : (Unit : mm)

Ø105 x 39



INSTALLATION HOLE SITE DIAGRAM :



SPECIFICATION :

1080P HD Dome IP Camera			
Model		LD2222E2	LD2222E4
Lens	Focal Length		2.8 mm
	Iris		F1.8
	Angle of View	H	105°
		V	87°
D		135°	
Pick Up Element		1/2.7" CMOS image sensor	
Effective Pixels		1920 (H) x 1080 (V) = 2,073,600 (pixel)	
Chip Size		5.856mm (H) x 3.276mm (V)	
Scanning System		Progressive Scan	
Min. Illumination		0.8 Lux at F1.8	0.6 Lux at F1.6
White balance		Auto / Tungsten / Indoor / Fluorescents1 / Fluorescents2 / Outdoor1 / Outdoor2	
Back light compensation		Off / On	
Electronic Shutter		1/30(1/25)s - 1/8000s	
Sense up		Off / 1 Frame / 2 Frames / 3 Frames / 7 Frames	
Sense up +		Yes	
Auto gain control		36 dB Variable Gain	
3D Noise Reduction		Off / 1 - 32 Selectable	
2D WDR		Off / x2 / x3 / x4	
Privacy Masking		Off / On (4 zones)	
Image Effects		Brightness, Contrast, Hue, Saturation, Sharpness, Mirror, Flip	
Operating Temperature		-25°C - +50°C (-13°F - 122°F)	
Dimension		Ø 105 x 39mm	
Weight		250g	
Power Supply		DC12V ±10% / PoE (IEEE 802.3af compliant)	
Power Consumption		DC12V, 4.5W / PoE, 5W	

Network	
Video compression	H.264 , Motion JPEG
Resolution	1080P(1920 x 1080), 720P(1280 x 720), D1(720 x 480), CIF(352 x 240)
Maximum frame rate	H.264 : up to 15 fps @ 1920 x 1080 , 30fps @ 1280 x 720 , 30fps @ 720 x 480 Motion JPEG : up to 15 fps @ 1920 x 1080 , 30 fps @ 720 x 480 , 30 fps @ 352 x 240
Video streaming protocol	RTP/HTTP, RTP/TCP, RTP/UDP, Multicast
Video bitrate	128Kbps - 5Mbps
	Frame rate and bit rate controllable on-the-fly
	VBR / CBR / GOP supported
Security	Base64 HTTP encryption
	Multiple user access levels with password protection
	10 user accounts available
Users	8 simultaneous users
Digital zoom	Yes
OSD	Text overlay for date, time, and camera name
Alarm function	Motion detection triggering recording into SD card
	Image upload over FTP and E-mail by audio / motion detection
CPU, memory	Embedded SoC ARM11, 528MHz, 256MB DDR2, 256MB flash memory
Maintenance	Firmware update via HTTP
	Firmware available at web site
Network interface	10Mbps / 100Mbps Base-T, RJ-45
PC requirement	OS : Windows 2000, Windows XP, Windows Vista, Windows 7, Windows 8
	Browser : Windows Internet Explorer 6.0 or above
	CPU : Intel Pentium 4 1.8GHz or above
	RAM : 1GB or above, Independent Display Card
Network protocols	IP, TCP, UDP, HTTP, SMTP, NTP, DDNS, UPnP, FTP, ARP, DHCP, PPPoE, DNS, RTSP, RTCP, Telnet, ICMP, IGMP, ONVIF Profile S, SNMP, SIP, Bonjour
Mobile phone	iPhone, iPad, and Android support
System integration	ONVIF & LILIN HTTP API
Central management system	CMX 3.6 / NAV 1.0 support
Video display	LILIN Universal ActiveX & LILIN Java Applet
OS	Embedded Linux 2.6.32
One-way audio	G.711 / PCM
SD card recording	Support Micro SD/SDHC card for circular recording (card is not included)



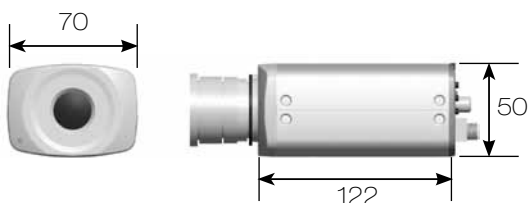
LB1022X in the L series is featuring built-in Sense up+ technology to deliver stunning video in low-light conditions. Utilizing intelligent image signal processing, 2D WDR function, AGC control, and 3D Noise Reduction, the combination successfully delivers the ultimate low-light image without motion blur.

FEATURES :

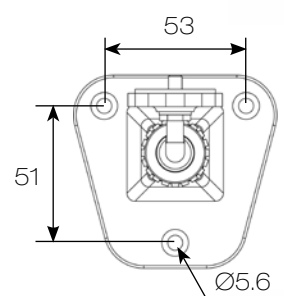
- Full HD 2 megapixel CMOS image sensor
- True H.264 AVC/MPEG-4 part 10
- H.264 and Motion JPEG triple video streaming
- 3D noise reduction (MCTF)
- 2D WDR function
- Digital zoom supported
- Audio / Motion detection alarm function
- Day & Night (IR cut removable)
- 2-way audio supported
- Digital I/O : 1 in, 1 out
- ONVIF Profile S supported

DIMENSIONS : (Unit : mm)

70(W) x 50(H) x 122(D)



INSTALLATION HOLE SITE DIAGRAM :



SPECIFICATION :

Name	Day & Night 1080P HD IP Camera		
Model	LB1022EX3		
Lens	Focal length	3 - 10.5 mm (CS Mount)	
	Iris	F1.4	
	Angle of view	H	105.6° - 28.4°
		V	79.2° - 21.3°
	D	132° - 35.5°	
Pick up element	1/2.7" CMOS image sensor		
Effective pixels	1920 (H) x 1080 (V) = 2,073,600 (pixel)		
Chip size	5.856mm (H) x 3.276mm (V)		
Scanning system	Progressive Scan		
Infrared cut filter	Auto / Schedule / Day (Color) / Night (Mono) / External control		
Min. illumination	0.1 Lux at F1.4 (Low Light Mode)		
White balance	Auto / Tungsten / Indoor / Fluorescents1 / Fluorescents2 / Outdoor1 / Outdoor2		
Back light compensation	Off / On		
Electronic shutter	1/30(1/25)s - 1/8000s		
Sense up	Off / 1 Frame / 2 Frames / 3 Frames / 7 Frames		
Sense up +	Yes		
Auto gain control	36 dB Variable Gain		
3D Noise Reduction	Off / 1 - 32 Selectable		
2D WDR	Off / x2 / x3 / x4		
Privacy masking	Off / On (4 zones)		
Image effects	Brightness, Contrast, Hue, Saturation, Sharpness, Mirror, Flip		
Live Video output	CVBS 1.0Vp-p, 75 ohm, BNC connector		
Audio in / output	Mono, 1.4 Vp-p, 50 K Ω , 3.5mm phone jack		
Operating temperature	-25°C - +50°C (-13°F - 122°F)		
Dimension	70mm(W) x 50mm(H) x 110mm(D)		
Weight	380g		
Power supply	DC12V \pm 10% / PoE (IEEE 802.3af compliant)		
Power consumption	DC12V, 6W / PoE, 7.5W		

Network	
Video compression	H.264 , Motion JPEG
Resolution	1080P(1920 x 1080), 720P(1280 x 720), D1(720 x 480), CIF(352 x 240)
Maximum frame rate	H.264 : up to 15 fps @ 1920 x 1080 , 30fps @ 1280 x 720 , 30fps @ 720 x 480 Motion JPEG : up to 15 fps @ 1920 x 1080 , 30 fps @ 720 x 480 , 30 fps @ 352 x 240
Video streaming protocol	RTP/HTTP, RTP/TCP, RTP/UDP, Multicast
Video bitrate	128Kbps - 5Mbps Frame rate and bit rate controllable on-the-fly VBR / CBR / GOP supported
Security	Base64 HTTP encryption Multiple user access levels with password protection 10 user accounts available
Users	8 simultaneous users
Digital zoom	Yes
OSD	Text overlay for date, time, and camera name
Alarm function	Alarm / motion detection triggering recording into SD card Image upload over FTP and E-mail by audio / motion detection
CPU, memory	Embedded SoC ARM11, 528MHz, 256MB DDR2, 256MB flash memory
Maintenance	Firmware update via HTTP Firmware available at web site
Network interface	10Mbps / 100Mbps Base-T, RJ-45
PC requirement	OS : Windows 2000, Windows XP, Windows Vista, Windows 7, Windows 8 Browser : Windows Internet Explorer 6.0 or above CPU : Intel Pentium 4 1.8GHz or above RAM : 1GB or above, Independent Display Card
Network protocols	IP, TCP, UDP, HTTP, SMTP, NTP, DDNS, UPnP, FTP, ARP, DHCP, PPPoE, DNS, RTSP, RTCP, Telnet, ICMP, IGMP, ONVIF Profile S, SNMP, SIP, Bonjour
Mobile phone	iPhone, iPad, and Android support
System integration	ONVIF & LILIN HTTP API
Central management system	CMX 3.6 / NAV 1.0 support
Video display	LILIN Universal ActiveX & LILIN Java Applet
OS	Embedded Linux 2.6.32
Two-way audio	G.711 / PCM
SD card recording	Support Micro SD/SDHC card for circular recording (card is not included)
Alarm input / output	Digital 1 input (TTL, +3 - 5VDC) / 1 Output (MOS Relay contact N.O., Load max. 40VDC/300mA)



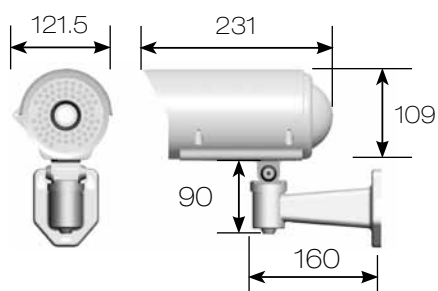
As with all Pro series cameras, the 1080P HD Vari-Focal IR IP Camera IPR7424-IVS incorporates Sense up+, a unique technology that successfully delivers stunning video in low-light conditions. Utilizing intelligent image signal processing, AGC control, and 3D Noise Reduction, Intelligent Video Surveillance, this model successfully delivers the ultimate low-light image without motion blur. The IPR7424-IVS is capable of producing four independent video streams, different streams can be set for different applications, depending on the individual user requirements. The IP66-rated housing is designed to help the camera body withstand rain and dust and ensures operation under a multitude of harsh weather conditions.

FEATURES :

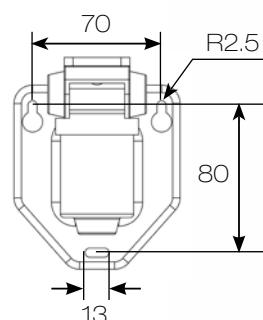
- Full HD 2 megapixel CMOS image sensor
- True H.264 AVC/MPEG-4 part 10 real-time Video compression
- H.264 and Motion JPEG multi-profile Video streaming
- 3D Noise Reduction (MCTF)
- 2D WDR function / Digital PTZ supported
- Intelligent Video Surveillance
- Face / tampering / audio / motion / alarm detection
- Cable managed housing and bracket
- High efficiency IR LED, Radiant distance up to 45m
- Day & Night (IR cut removable)
- 2-way audio supported
- Digital I/O : 1 in, 1 out
- ONVIF supported

DIMENSIONS : (Unit : mm)

Body : 121.5 x 109 x 231 (W x H x D) Bracket : 160(L)



INSTALLATION HOLE SITE DIAGRAM :



SPECIFICATION :

Name		Day & Night 1080P HD Vari-focal IR IP Camera	
Model		IPR7424-IVS	
Lens	Focal length	3.3 – 12 mm	
	Iris	F1.4	
	Angle of view	H	79.3° – 29.8°
		V	59.4° – 22.4°
D		99° – 37.3°	
Pick up element		1/2.7" CMOS image sensor	
Effective pixels		1920 (H) x 1080 (V) = 2,073,600 (pixel)	
Chip size		5.856mm (H) x 3.276mm (V)	
Scanning system		Progressive scan	
Infrared cut filter		Auto / schedule / day (color) / night (mono)	
Min. illumination		0.1 Lux at F1.4 (Low light mode) / 0 Lux with IR LED on	
White balance		Auto / tungsten / indoor / fluorescents1 / fluorescents2 / outdoor1 / outdoor2	
Back light compensation		Off / on	
Electrical shutter		1/30s – 1/8000s	
Sense up		Off / 1 frame / 2 frames / 3 frames / 7 frames	
Sense up +		Yes	
Auto gain control		36 dB variable gain	
3D Noise Reduction		Off / 1 – 32 selectable	
2D WDR		Off / on	
Privacy masking		Off / on (4 zones)	
Image effects		Brightness, Contrast, Hue, Saturation, Sharpness, Mirror, Flip	
Live Video output		CVBS 1.0Vp-p, 75 ohm, BNC connector	
Audio in / output		Mono, 1.4 Vp-p , 50 KΩ , terminal connector	
IP rating		IP66	
Window		Ø 92 heat resistant glass	
Infrared LED	Peak wavelength	850nm	
	Beam spread	30°	
	Radiant distance	45M	
Operating temperature		-40°C – +50°C (-40°F – 122°F)	
Dimension		Body : 121.5mm(W) x 109mm(H) x 231mm(D) , Bracket : 160mm(L)	
Weight		1700g	
Power supply		AC24V (±10%) PoE+ (IEEE 802.3at compliant)	
Power consumption		14W (PoE+, 16W)	

Network		
Video compression		H.264 , Motion JPEG
Resolution		1080P(1920 x 1080), 720P(1280 x 720), D1(720 x 480), CIF(352 x 240)
Multiple profile	Profile #1	H.264 : up to 30 FPS @ 1920 x 1080, MJPEG : up to 30 FPS @ 720 x 480
	Profile #2	H.264 : up to 30 FPS @ 1280 x 720, MJPEG : up to 30 FPS @ 352 x 240
	Profile #3	H.264 : up to 30 FPS @ 1920 x 1080, MJPEG : up to 30 FPS @ 1280 x 720
	Profile #4	H.264 : up to 30 FPS @ 720 x 480, MJPEG : up to 15 FPS @ 1920 x 1080
Video streaming		RTP/HTTP, RTP/TCP, RTP/UDP, Multicast
Video bitrate		128Kbps – 5Mbps Frame rate and bit rate controllable on-the-fly VBR / CBR / GOP supported
Security		Base64 HTTP encryption Multiple user access levels with password protection 10 user accounts available
Users		8 simultaneous users
ePTZ & digital zoom		Yes, ROI is supported
OSD		Text overlay for date, time, and camera name
Intelligent Video Surveillance		Advanced Motion / Board Zone / Semaphore+Board Zone / Object Counting
Alarm function		Alarm / motion / tampering / face / alarm detection triggering recording into SD card Image upload over FTP and E-mail by face / tampering / audio / motion detection
CPU, memory		Embedded SoC ARM11, 528MHz, 256MB DDR2, 256MB flash memory
Maintenance		Firmware update via HTTP Firmware available at web site
Network interface		10Mbps / 100Mbps Base-T, RJ-45
PC requirement		OS : Windows 2000, Windows XP, Windows Vista, Windows 7, Windows 8 Browser : Windows Internet Explorer 6.0 or above CPU : intel pentium 4 1.8GHz or above RAM : 1GB or above, independent display card
Network protocols		IP, TCP, UDP, HTTP, SMTP, NTP, DDNS, UPnP, FTP, ARP, DHCP, PPPoE, DNS, RTSP, RTCP, Telnet, ICMP, IGMP, ONVIF Profile S, SNMP, SIP, Bonjour
Mobile phone		iPhone, iPad, and Android support
System integration		ONVIF & LILIN HTTP API
Central management system		CMX 3.6 / NAV 1.0 support
Video display		LILIN Universal ActiveX & LILIN Java Applet
OS		Embedded Linux 2.6.32
Two-way audio		G.711 / PCM
SD card recording		Support SD/SDHC card for circular recording (card is not included)
Alarm input / output		Digital 1 input (TTL, +3 – 5VDC) / 1 Output (MOS Relay contact N.O., Load max. 40VDC/300mA)





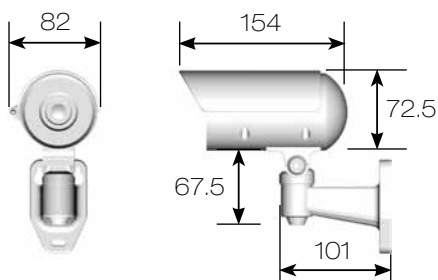
As with all Pro series cameras, the Day & Night 1080P HD IR IP Camera IPR722-IVS incorporates Sense up+, a unique technology that successfully delivers stunning video in low-light conditions. Utilizing intelligent image signal processing, AGC control, and 3D Noise Reduction, Intelligent Video Surveillance, this model successfully delivers the ultimate low-light image without motion blur. The IPR722-IVS is capable of producing four independent video streams, different streams can be set for different applications, depending on the individual user requirements. The IP66-rated housing is designed to help the camera body withstand rain and dust and ensures operation under a multitude of harsh weather conditions.

FEATURES :

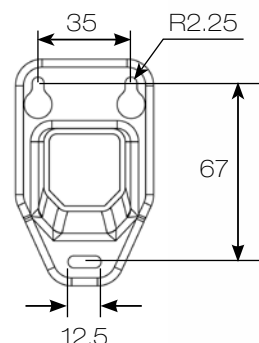
- Full HD 2 megapixel CMOS image sensor
- True H.264 AVC/MPEG-4 part 10 real-time Video compression
- H.264 and Motion JPEG multi-profile Video streaming
- 3D Noise Reduction (MCTF)
- 2D WDR function / Digital PTZ supported
- Intelligent Video Surveillance
- Face / tampering / motion detection
- High efficiency IR LED, Radiant distance up to 30m
- Day & Night (IR cut removable)
- ONVIF supported
- 2-way audio supported
- Digital I/O : 1 in, 1 out
- ONVIF supported

DIMENSIONS : (Unit : mm)

Body : 82(W) x 72.5(H) x 154(D) Bracket: 101(L)



INSTALLATION HOLE SITE DIAGRAM :



SPECIFICATION :

Name		Day & Night 1080P HD IR IP Camera	
Model		IPR722-IVS	
Lens	Focal length	4.3mm	
	Iris	F1.6	
	Angle of view	H	84°
		V	45.2°
D		100.6°	
Pick up element		1/2.7" CMOS image sensor	
Effective pixels		1920 (H) x 1080 (V) = 2,073,600 (pixel)	
Chip size		5.856mm (H) x 3.276mm (V)	
Scanning system		Progressive scan	
Infrared cut filter		Auto / schedule / day (color) / night (mono)	
Min. illumination		0.15 Lux at F1.6 (Low light mode) / 0 Lux with IR LED on	
White balance		Auto / tungsten / indoor / fluorescents1 / fluorescents2 / outdoor1 / outdoor2	
Back light compensation		Off / on	
Electronic shutter		1/30s - 1/8000s	
Sense up		Off / 1 frame / 2 frames / 3 frames / 7 frames	
Sense up +		Yes	
Auto gain control		36 dB variable gain	
3D Noise Reduction		Off / 1 - 32 selectable	
2D WDR		Off / on	
Privacy masking		Off / on (4 zones)	
Image effects		Brightness, Contrast, Hue, Saturation, Sharpness, Mirror, Flip	
IP rating		IP66	
Window		Ø 65 heat resistant glass	
Infrared LED	Peak wavelength	850nm	
	Beam spread	30°	
	Radiant distance	30M	
Operating temperature		-40°C - +50°C (-40°F - 122°F)	
Dimension		Body : 82mm(W) x 72.5mm(H) x 154mm(D) Bracket : 101mm(L)	
Weight		600g	
Power supply		DC12V ±10% / PoE (IEEE 802.3af compliant)	
Power consumption		DC12V, 9W / PoE, 10.2W	

Network			
Video compression		H.264 , Motion JPEG	
Resolution		1080P(1920 x 1080), 720P(1280 x 720), D1(720 x 480), CIF(352 x 240)	
Multiple profile	Profile #1	H.264 : up to 30 FPS @ 1920 x 1080, MJPEG : up to 30 FPS @ 720 x 480	
	Profile #2	H.264 : up to 30 FPS @ 1280 x 720, MJPEG : up to 30 FPS @ 352 x 240	
	Profile #3	H.264 : up to 30 FPS @ 1920 x 1080, MJPEG : up to 30 FPS @ 1280 x 720	
	Profile #4	H.264 : up to 30 FPS @ 720 x 480, MJPEG : up to 15 FPS @ 1920 x 1080	
Video streaming		RTP/HTTP, RTP/TCP, RTP/UDP, Multicast	
Video bitrate		128Kbps - 5Mbps Frame rate and bit rate controllable on-the-fly VBR / CBR / GOP supported	
Security		Base64 HTTP encryption Multiple user access levels with password protection 10 user accounts available	
Users		8 simultaneous users	
ePTZ & digital zoom		Yes, ROI is supported	
OSD		Text overlay for date, time, and camera name	
Intelligent Video Surveillance		Advanced Motion / Board Zone / Semaphore+Board Zone / Object Counting	
Alarm functions		Motion / tampering / face detection triggering recording into SD card Image upload over FTP and E-mail by face / tampering / motion detection	
CPU, memory		Embedded SoC ARM11, 528MHz, 256MB DDR2, 256MB flash memory	
Maintenance		Firmware update via HTTP Firmware available at web site	
Network interface		10Mbps / 100Mbps Base-T, RJ-45	
PC requirement		OS : Windows 2000, Windows XP, Windows Vista, Windows 7, Windows 8 Browser : Windows Internet Explorer 6.0 or above CPU : intel pentium 4 1.8GHz or above RAM : 1GB or above, independent display card	
Network protocols		IP, TCP, UDP, HTTP, SMTP, NTP, DDNS, UPnP, FTP, ARP, DHCP, PPPoE, DNS, RTSP, RTCP, Telnet, ICMP, IGMP, ONVIF Profile S, SNMP, SIP, Bonjour	
Mobile phone		iPhone, iPad, and Android support	
System integration		ONVIF & LILIN HTTP API	
Central management system		CMX 3.6 / NAV 1.0 support	
Video display		LILIN Universal ActiveX & LILIN Java Applet	
OS		Embedded Linux 2.6.32	
SD card recording		Support Micro SD/SDHC card for circular recording (card is not included)	



As with all Pro series cameras, Day & Night 1080P HD Vandal Resistant Dome IR IP Camera IPR6122-IVS incorporates Sense up+, a unique technology that successfully delivers stunning video in low-light conditions. Utilizing intelligent image signal processing, AGC control, and 3D Noise Reduction, Intelligent Video Surveillance, this model successfully delivers the ultimate low-light image without motion blur. The IPR6122-IVS is capable of producing four independent video streams, different streams can be set for different applications, depending on the individual user requirements. The IP67-rated housing is designed to help the camera body withstand rain and dust and ensures operation under a multitude of harsh weather conditions.

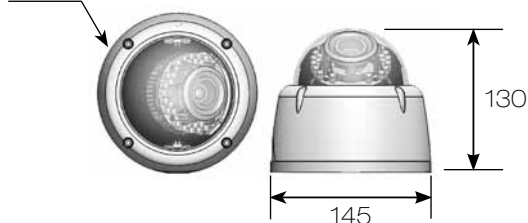
FEATURES :

- Full HD 2 megapixel CMOS image sensor
- True H.264 AVC/MPEG-4 part 10 real-time Video compression
- H.264 and Motion JPEG multi-profile Video streaming
- 3D Noise Reduction (MCTF)
- 2D WDR function / Digital PTZ supported
- Intelligent Video Surveillance
- Face / tampering / audio / motion / alarm detection
- Impact Resistant Polycarbonate Dome Cover
- High efficiency IR LED, Radiant distance up to 25m
- Day & Night (IR cut removable)
- 2-way audio supported
- Digital I/O : 1 in, 1 out
- ONVIF supported

DIMENSIONS : (Unit : mm)

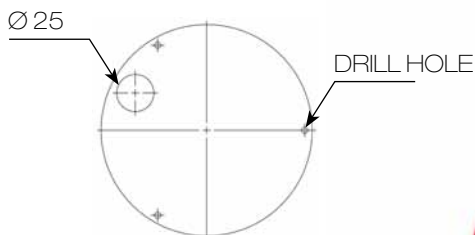
Ø145 x 130

Ø145



INSTALLATION HOLE SITE DIAGRAM :

Ø25



SPECIFICATION :

Name		Day & Night 1080P HD Vandal Resistant Dome IR IP Camera	
Model		IPR6122-IVS	
Lens	Focal length	3.3 – 12 mm	
	Iris	F1.4	
	Angle of view	H	79.3° – 29.8°
		V	59.4° – 22.4°
D		99° – 37.3°	
Pick up element		1/2.7" CMOS image sensor	
Effective pixels		1920 (H) x 1080 (V) = 2,073,600 (pixel)	
Chip size		5.856mm (H) x 3.276mm (V)	
Scanning system		Progressive scan	
Infrared cut filter		Auto / schedule / day (color) / night (mono)	
Min. illumination		0.1 Lux at F1.4 (Low light mode) / 0 Lux with IR LED on	
White balance		Auto / tungsten / indoor / fluorescents1 / fluorescents2 / outdoor1 / outdoor2	
Back light compensation		Off / on	
Electronic shutter		1/30s – 1/8000s	
Sense up		Off / 1 frame / 2 frames / 3 frames / 7 frames	
Sense up +		Yes	
Auto gain control		36 dB variable gain	
3D Noise Reduction		Off / 1 - 32 selectable	
2D WDR		Off / on	
Privacy masking		Off / on (4 zones)	
Image effects		Brightness, Contrast, Hue, Saturation, Sharpness, Mirror, Flip	
Live Video output		CVBS 1.0Vp-p, 75 ohm, RCA connector	
Audio in / output		Mono, 1.4 Vp-p , 50 K Ω , terminal connector	
IP rating		IP67	
Vandal resistant rating		IK10	
Infrared LED	Peak wavelength	850nm	
	Beam spread	30°	
	Radiant distance	25M	
Operating temperature		-40°C – +50°C (-40°F – 122°F)	
Dimension		Ø 145 x 130mm	
Weight		1000g	
Power supply		DC12V \pm 10% / PoE (IEEE 802.3af compliant)	
Power consumption		DC12V, 9W / PoE, 10.2W	

Network			
Video compression		H.264 , Motion JPEG	
Resolution		1080P(1920 x 1080), 720P(1280 x 720), D1(720 x 480), CIF(352 x 240)	
Multiple profile	Profile #1	H.264 : up to 30 FPS @ 1920 x 1080, MJPEG : up to 30 FPS @ 720 x 480	
	Profile #2	H.264 : up to 30 FPS @ 1280 x 720, MJPEG : up to 30 FPS @ 352 x 240	
	Profile #3	H.264 : up to 30 FPS @ 1920 x 1080, MJPEG : up to 30 FPS @ 1280 x 720	
	Profile #4	H.264 : up to 30 FPS @ 720 x 480, MJPEG : up to 15 FPS @ 1920 x 1080	
Video streaming		RTP/HTTP, RTP/TCP, RTP/UDP, Multicast	
Video bitrate	128Kbps – 5Mbps		
	Frame rate and bit rate controllable on-the-fly		
	VBR / CBR / GOP supported		
Security	Base64 HTTP encryption		
	Multiple user access levels with password protection		
	10 user accounts available		
Users		8 simultaneous users	
ePTZ & digital zoom		Yes, ROI is supported	
OSD		Text overlay for date, time, and camera name	
Intelligent Video Surveillance		Advanced Motion / Board Zone / Semaphore+Board Zone / Object Counting	
Alarm function		Alarm / motion / tampering / face / alarm detection triggering recording into SD card	
CPU, memory		Image upload over FTP and E-mail by face / tampering / audio / motion detection	
Maintenance		Embedded SoC ARM11, 528MHz, 256MB DDR2, 256MB flash memory	
Network interface		Firmware update via HTTP	
PC requirement		Firmware available at web site	
Network protocols		10Mbps / 100Mbps Base-T, RJ-45	
Mobile phone		OS : Windows 2000, Windows XP, Windows Vista, Windows 7, Windows 8	
System integration		Browser : Windows Internet Explorer 6.0 or above	
Central management system		CPU : intel pentium 4 1.8GHz or above	
Video display		RAM : 1GB or above, independent display card	
OS		IP, TCP, UDP, HTTP, SMTP, NTP, DDNS, UPnP, FTP, ARP, DHCP, PPPoE, DNS, RTSP, RTCP, Telnet, ICMP, IGMP, ONVIF Profile S, SNMP, SIP, Bonjour	
Two-way audio		iPhone, iPad, and Android support	
SD card recording		ONVIF & LILIN HTTP API	
Alarm input / output		CMX 3.6 / NAV 1.0 support	
		LILIN Universal ActiveX & LILIN Java Applet	
		Embedded Linux 2.6.32	
		G.711 / PCM	
		Support Micro SD/SDHC card for circular recording (card is not included)	
		Digital 1 input (TTL, +3 – 5VDC) / 1 Output (MOS Relay contact N.O., Load max. 40VDC/300mA)	





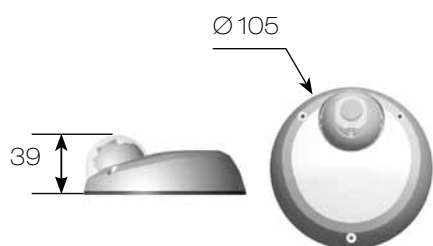
As with all Pro series cameras, 1080P HD Dome IP Camera IPD2220-IVS incorporates Sense up+, a unique technology that successfully delivers stunning video in low-light conditions. Utilizing intelligent image signal processing, AGC control, and 3D Noise Reduction, Intelligent Video Surveillance, this model successfully delivers the ultimate low-light image without motion blur. The IPD2220-IVS is capable of producing four independent video streams, different streams can be set for different applications, depending on the individual user requirements.

FEATURES :

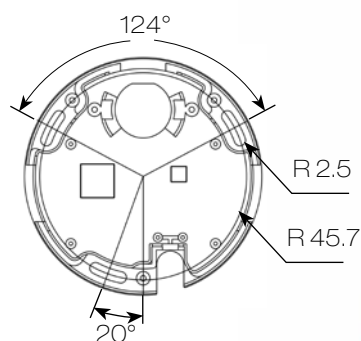
- Full HD 2 megapixel CMOS image sensor
- True H.264 AVC/MPEG-4 part 10 real-time Video compression
- H.264 and Motion JPEG multi-profile Video streaming
- 3D Noise Reduction (MCTF)
- 2D WDR function / Digital PTZ supported
- Intelligent Video Surveillance
- Face / tampering / audio / motion detection
- Built-in highly sensitive microphone
- One-way audio supported
- ONVIF supported

DIMENSIONS : (Unit : mm)

Ø105 x 39



INSTALLATION HOLE SITE DIAGRAM :



SPECIFICATION :

Name	1080P HD Dome IP Camera		
Model	IPD2220-IVS		
Lens	Focal Length	4.3 mm	
	Iris	F1.6	
	Angle of View	H	84.8°
		V	45.2°
D		100.6°	
Pick Up Element	1/2.7" CMOS image sensor		
Effective Pixels	1920 (H) x 1080 (V) = 2,073,600 (pixel)		
Chip Size	5.856mm (H) x 3.276mm (V)		
Scanning System	Progressive Scan		
Min. Illumination	0.6 Lux at F1.6		
White balance	Auto / Tungsten / Indoor / Fluorescents1 / Fluorescents2 / Outdoor1 / Outdoor2		
Back light compensation	Off / On		
Electrical Shutter	1/30s - 1/8000s		
Sense up	Off / 1 Frame / 2 Frames / 3 Frames / 7 Frames		
Sense up +	Yes		
Auto gain control	36 dB Variable Gain		
3D Noise Reduction	Off / 1 - 32 Selectable		
2D WDR	Off / On		
Privacy Masking	Off / On (4 zones)		
Image Effects	Brightness, Contrast, Hue, Saturation, Sharpness, Mirror, Flip		
Operating Temperature	-25°C - +50°C (-13°F - 122°F)		
Dimension	Ø 105 x 39mm		
Weight	250g		
Power Supply	DC12V ±10% / PoE (IEEE 802.3af compliant)		
Power Consumption	DC12V, 4.5W / PoE, 5W		

Network			
Video compression	H.264, Motion JPEG		
Resolution	1080P(1920 x 1080), 720P(1280 x 720), D1(720 x 480), CIF(352 x 240)		
Multiple profile	Profile #1	H.264 : up to 30 FPS @ 1920 x 1080, MJPEG : up to 30 FPS @ 720 x 480	
	Profile #2	H.264 : up to 30 FPS @ 1280 x 720, MJPEG : up to 30 FPS @ 352 x 240	
	Profile #3	H.264 : up to 30 FPS @ 1920 x 1080, MJPEG : up to 30 FPS @ 1280 x 720	
	Profile #4	H.264 : up to 30 FPS @ 720 x 480, MJPEG : up to 15 FPS @ 1920 x 1080	
Video streaming	RTP/HTTP, RTP/TCP, RTP/UDP, Multicast		
Video bitrate	128Kbps - 5Mbps		
	Frame rate and bit rate controllable on-the-fly		
	VBR / CBR / GOP supported		
Security	Base64 HTTP encryption		
	Multiple user access levels with password protection		
	10 user accounts available		
Users	8 simultaneous users		
ePTZ & digital zoom	Yes, ROI is supported		
OSD	Text overlay for date, time, and camera name		
Intelligent Video Surveillance	Advanced Motion / Board Zone / Semaphore+Board Zone / Object Counting		
Alarm function	Motion / tampering / face detection triggering recording into SD card Image upload over FTP and E-mail by face / tampering / audio / motion detection		
CPU, memory	Embedded SoC ARM11, 528MHz, 256MB DDR2, 256MB flash memory		
Maintenance	Firmware update via HTTP		
	Firmware available at web site		
Network interface	10Mbps / 100Mbps Base-T, RJ-45		
PC requirement	OS : Windows 2000, Windows XP, Windows Vista, Windows 7, Windows 8		
	Browser : Windows Internet Explorer 6.0 or above		
	CPU : intel pentium 4 1.8GHz or above		
	RAM : 1GB or above, independent display card		
Network protocols	IP, TCP, UDP, HTTP, SMTP, NTP, DDNS, UPnP, FTP, ARP, DHCP, PPPoE, DNS, RTSP, RTCP, Telnet, ICMP, IGMP, ONVIF Profile S, SNMP, SIP, Bonjour		
Mobile phone	iPhone, iPad, and Android support		
System integration	ONVIF & LILIN HTTP API		
Central management system	CMX 3.6 / NAV 1.0 support		
Video display	LILIN Universal ActiveX & LILIN Java Applet		
OS	Embedded Linux 2.6.32		
One-way audio	G.711 / PCM		
SD card recording	Support Micro SD/SDHC card for circular recording (card is not included)		



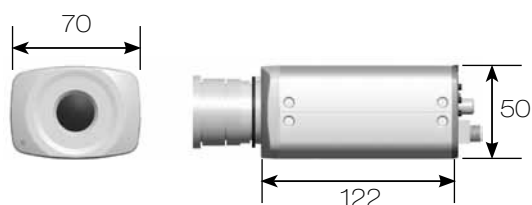
As with all Pro series cameras, the IPG1022-IVS incorporates Sense up+, a unique technology that successfully delivers stunning video in low-light conditions. Utilizing intelligent image signal processing, AGC control, and 3D Noise Reduction, Intelligent Video Surveillance, this model successfully delivers the ultimate low-light image without motion blur. Measuring less than 125mm in length, this latest addition to the range provides an internal solution suited to multiple applications.

FEATURES :

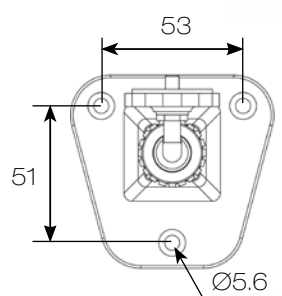
- Full HD 2 megapixel CMOS image sensor
- True H.264 AVC/MPEG-4 part 10 real-time Video compression
- H.264 and Motion JPEG multi-profile Video streaming
- 3D Noise Reduction (MCTF)
- 2D WDR function / Digital PTZ supported
- Intelligent Video Surveillance
- Face / tampering / audio / motion / alarm detection
- Day & Night (IR cut removable)
- 2-way audio supported
- Built-in highly sensitive microphone
- Digital I/O : 1 in, 1 out
- ONVIF supported

DIMENSIONS : (Unit : mm)

70(W) x 50(H) x 122(D)



INSTALLATION HOLE SITE DIAGRAM :



SPECIFICATION :

Name		Day & Night 1080P HD IP Camera	
Model		IPG1022-IVS	
Lens	Focal length	3 – 10.5 mm (CS mount)	
	Iris	F1.4	
	Angle of view	H	105.6° – 28.4°
		V	79.2° – 21.3°
D		132° – 35.5°	
Pick up element		1/2.7" CMOS image sensor	
Effective pixels		1920 (H) x 1080 (V) = 2,073,600 (pixel)	
Chip size		5.856mm (H) x 3.276mm (V)	
Scanning system		Progressive scan	
Infrared cut filter		Auto / schedule / day (color) / night (mono) / external control	
Min. illumination		0.1 Lux at F1.4 (Low light mode)	
White balance		Auto / tungsten / indoor / fluorescents1 / fluorescents2 / outdoor1 / outdoor2	
Back light compensation		Off / on	
Electrical shutter		1/30s – 1/8000s	
Sense up		Off / 1 frame / 2 frames / 3 frames / 7 frames	
Sense up +		Yes	
Auto gain control		36 dB variable gain	
3D Noise Reduction		Off / 1 – 32 selectable	
2D WDR		Off / on	
Privacy masking		Off / on (4 zones)	
Image effects		Brightness, Contrast, Hue, Saturation, Sharpness, Mirror, Flip	
Live Video output		CVBS 1.0Vp-p, 75 ohm, BNC connector	
Audio in / output		Mono, 1.4 Vp-p , 50 K Ω , 3.5mm phone jack	
Operating temperature		-25°C – +50°C (-13°F – 122°F)	
Dimension		70mm(W) x 50mm(H) x 110mm(D)	
Weight		380g	
Power supply		DC12V \pm 10% / PoE (IEEE 802.3af compliant)	
Power consumption		DC12V, 6W / PoE, 7.5W	

Network			
Video compression		H.264 , Motion JPEG	
Resolution		1080P(1920 x 1080), 720P(1280 x 720), D1(720 x 480), CIF(352 x 240)	
Multiple profile	Profile #1	H.264 : up to 30 FPS @ 1920 x 1080, MJPEG : up to 30 FPS @ 720 x 480	
	Profile #2	H.264 : up to 30 FPS @ 1280 x 720, MJPEG : up to 30 FPS @ 352 x 240	
	Profile #3	H.264 : up to 30 FPS @ 1920 x 1080, MJPEG : up to 30 FPS @ 1280 x 720	
	Profile #4	H.264 : up to 30 FPS @ 720 x 480, MJPEG : up to 15 FPS @ 1920 x 1080	
Video streaming		RTP/HTTP, RTP/TCP, RTP/UDP, Multicast	
Video bitrate	128Kbps – 5Mbps		
	Frame rate and bit rate controllable on-the-fly		
	VBR / CBR / GOP supported		
Security	Base64 HTTP encryption		
	Multiple user access levels with password protection		
	10 user accounts available		
Users	8 simultaneous users		
ePTZ & digital zoom	Yes, ROI is supported		
OSD	Text overlay for date, time, and camera name		
Intelligent Video Surveillance	Advanced Motion / Board Zone / Semaphore+Board Zone / Object Counting		
Alarm functions	Alarm / motion / tampering / face / alarm detection triggering recording into SD card Image upload over FTP and E-mail by face / tampering / audio / motion detection		
CPU, memory	Embedded SoC ARM11, 528MHz, 256MB DDR2, 256MB flash memory		
Maintenance	Firmware update via HTTP		
	Firmware available at web site		
Network interface	10Mbps / 100Mbps Base-T, RJ-45		
PC requirement	OS : Windows 2000, Windows XP, Windows Vista, Windows 7, Windows 8		
	Browser : Windows Internet Explorer 6.0 or above		
	CPU : intel pentium 4 1.8GHz or above		
	RAM : 1GB or above, independent display card		
Network protocols	IP, TCP, UDP, HTTP, SMTP, NTP, DDNS, UPnP, FTP, ARP, DHCP, PPPoE, DNS, RTSP, RTCP, Telnet, ICMP, IGMP, ONVIF Profile S, SNMP, SIP, Bonjour		
Mobile phone	iPhone, iPad, and Android support		
System integration	ONVIF & LILIN HTTP API		
Central management system	CMX 3.6 / NAV 1.0 support		
Video display	LILIN Universal ActiveX & LILIN Java Applet		
OS	Embedded Linux 2.6.32		
Two-way audio	G.711 / PCM		
SD card recording	Support Micro SD/SDHC card for circular recording (card is not included)		
Alarm input / output	Digital 1 input (TTL, +3 – 5VDC) / 1 Output (MOS Relay contact N.O., Load max. 40VDC/300mA)		

DAY & NIGHT 1080P HD AUTO FOCUS VANDAL RESISTANT DOME IR IP CAMERA



Day & Night 1080P HD Auto Focus Vandal Resistant Dome IR IP Camera ZR6122-IVS is IP67-rated housing protects the camera body against rain and dust, and ensures operation under extreme weather condition. ZR6122-IVS Auto Focus dome is sufficiently robust to meet the IK-10 certification requirement has the ability to withstand external mechanical impacts. The ZR6122-IVS comes with a removable IR-cut filter, which enable the camera to provide black/white video in dark conditions. Designed in a mini glassy dome form factor and offering flexible Auto Focus installation feature, and Intelligent Video Surveillance. ZR6122-IVS fits into a range of environments such as retail, home, office, and hotel security.

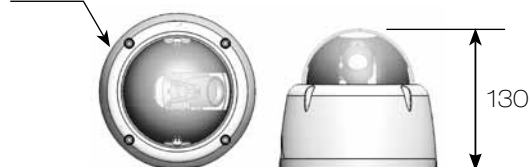
FEATURES :

- Full HD 2 megapixel CMOS image sensor
- True H.264 AVC/MPEG-4 part 10 real-time Video compression
- H.264 and Motion JPEG multi-profile Video streaming
- Auto focus with zoom / focus motorized Lens
- 3D Noise Reduction (MCTF) / 2D WDR function
- Digital PTZ supported
- Face / tampering / audio / motion / alarm detection
- Impact Resistant Polycarbonate Dome Cover
- High efficiency IR LED, Radiant distance up to 25m
- Intelligent Video Surveillance
- Day & Night (IR cut removable) / 2-way audio supported
- Digital I/O : 1 in, 1 out
- ONVIF supported

DIMENSIONS : (Unit : mm)

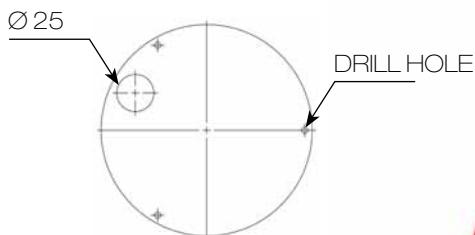
Ø145 x 130

Ø145



INSTALLATION HOLE SITE DIAGRAM :

Ø25



SPECIFICATION :

Name		Day & Night 1080P HD Auto Focus Vandal Resistant Dome IR IP Camera	
Model		ZR6122-IVS	
Lens	Focal length	3 – 10.5 mm (zoom / focus motorized)	
	Iris	F1.4	
	Angle of view	H	91.2° – 25.5°
		V	68.4° – 19.1°
D		114° – 31.9°	
Pick up element		1/2.7" CMOS image sensor	
Effective pixels		1920 (H) x 1080 (V) = 2,073,600 (pixel)	
Chip size		5.856mm (H) x 3.276mm (V)	
Scanning system		Progressive scan	
Infrared cut filter		Auto / schedule / day (color) / night (mono)	
Min. illumination		0.1 Lux at F1.4 (Low light mode) / 0 Lux with IR LED on	
White balance		Auto / tungsten / indoor / fluorescents1 / fluorescents2 / outdoor1 / outdoor2	
Back light compensation		Off / on	
Electrical shutter		1/30s – 1/8000s	
Sense up		Off / 1 frame / 2 frames / 3 frames / 7 frames	
Sense up +		Yes	
Auto gain control		36 dB variable gain	
3D Noise Reduction		Off / 1 – 32 selectable	
2D WDR		Off / on	
Privacy masking		Off / on (4 zones)	
Image effects		Brightness, Contrast, Hue, Saturation, Sharpness, Mirror, Flip	
Auto focus		One push	
Live Video output		CVBS 1.0Vp-p, 75 ohm, RCA connector	
Audio in / output		Mono, 1.4 Vp-p , 50 KΩ , Terminal connector	
IP rating		IP67	
Vandal resistant rating		IK10	
Infrared LED	Peak wavelength	850nm	
	Beam spread	30°	
	Radiant distance	25M	
Operating temperature		-40°C – +50°C (-40°F – 122°F)	
Dimension		Ø 145 x 130mm	
Weight		1000g	
Power supply		DC12V ±10% / PoE (IEEE 802.3af compliant)	
Power consumption		DC12V, 10W / PoE, 11.2W	

Network			
Video compression		H.264 , Motion JPEG	
Resolution		1080P(1920 x 1080), 720P(1280 x 720), D1(720 x 480), CIF(352 x 240)	
Multiple profile	Profile #1	H.264 : up to 30 FPS @ 1920 x 1080, MJPEG : up to 30 FPS @ 720 x 480	
	Profile #2	H.264 : up to 30 FPS @ 1280 x 720, MJPEG : up to 30 FPS @ 352 x 240	
	Profile #3	H.264 : up to 30 FPS @ 1920 x 1080, MJPEG : up to 30 FPS @ 1280 x 720	
	Profile #4	H.264 : up to 30 FPS @ 720 x 480, MJPEG : up to 15 FPS @ 1920 x 1080	
Video streaming		RTP/HTTP, RTP/TCP, RTP/UDP, Multicast	
Video bitrate		128Kbps – 5Mbps Frame rate and bit rate controllable on-the-fly VBR / CBR / GOP supported	
Security		Base64 HTTP encryption Multiple user access levels with password protection 10 user accounts available	
Users		8 simultaneous users	
ePTZ & digital zoom		Yes, ROI is supported	
OSD		Text overlay for date, time, and camera name	
Intelligent Video Surveillance		Advanced Motion / Board Zone / Semaphore+Board Zone / Object Counting	
Alarm function		Alarm / motion / tampering / face / alarm detection triggering recording into SD card Image upload over FTP and E-mail by face / tampering / audio / motion detection	
CPU, memory		Embedded SoC ARM11, 528MHz, 256MB DDR2, 256MB flash memory	
Maintenance		Firmware update via HTTP Firmware available at web site	
Network interface		10Mbps / 100Mbps Base-T, RJ-45	
PC requirement		OS : Windows 2000, Windows XP, Windows Vista, Windows 7, Windows 8 Browser : Windows Internet Explorer 6.0 or above CPU : intel pentium 4 1.8GHz or above RAM : 1GB or above, independent display card	
Network protocols		IP, TCP, UDP, HTTP, SMTP, NTP, DDNS, UPnP, FTP, ARP, DHCP, PPPoE, DNS, RTSP, RTCP, Telnet, ICMP, IGMP, ONVIF Profile S, SNMP	
Mobile phone		iPhone, iPad, and Android support	
System integration		ONVIF & LILIN HTTP API	
Central management system		CMX 3.6 / NAV 1.0 support	
Video display		LILIN Universal ActiveX & LILIN Java Applet	
OS		Embedded Linux 2.6.32	
Two-way audio		G.711 / PCM	
SD card recording		Support Micro SD/SDHC card for circular recording (card is not included)	
Alarm input / output		Digital 1 input (TTL, +3 – 5VDC) / 1 Output (MOS Relay contact N.O., Load max. 40VDC/300mA)	





ATMs are often placed in unsecured open locations with people walking by at all times, and robberies, attacks, fraud, and vandalism are a reality on a daily basis. The presence of security cameras can greatly enhance the level of safety around an ATM, making it less likely that customers will be confronted by threatening criminals looking to swipe their cash or cards.

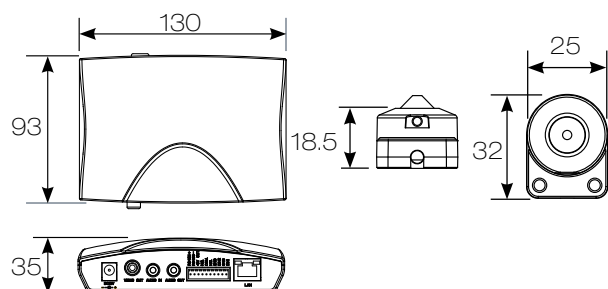
LILIN Covert Series IP Camera is a network covert surveillance solution for ATM environment. LILIN is a global IP video manufacturer of IP video cameras, recording devices, and software with over 30 years of experience, LILIN offers the most advanced security benefits.

FEATURES :

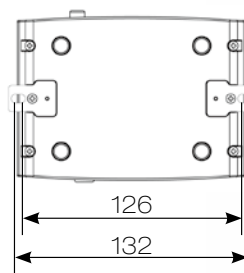
- Full HD 2 megapixel CMOS image sensor
- True H.264 AVC/MPEG-4 part 10 real-time video compression
- H.264 and Motion JPEG multi-profile video streaming
- 3D Noise Reduction (MCTF)
- 2D WDR function
- Digital PTZ supported
- Tampering / Audio / Motion detection alarm function
- 2-way audio supported
- SD card supported
- Digital I/O : 2 in, 1 out
- ONVIF supported

DIMENSIONS : (Unit : mm)

130mm(W) x 35mm(H) x 93mm(D) / Ø25 x 32mm



INSTALLATION HOLE SITE DIAGRAM :



SPECIFICATION :

Name		1080P HD Covert IP Camera	
Model		IPC0122P3	
Lens	Focal length	3.7 mm (Pinhole)	
	Iris	F2.8	
	Angle of view	H	100°
		V	56°
D		114°	
Pick Up Element		1/2.7" CMOS image sensor	
Effective Pixels		1920 (H) x 1080 (V) = 2,073,600 (pixel)	
Chip Size		5.856mm (H) x 3.276mm (V)	
Scanning System		Progressive Scan	
Min. Illumination		1.5 Lux at F2.8	
White Balance		Auto / Tungsten / Indoor / Fluorescents1 / Fluorescents2 / Outdoor1 / Outdoor2	
Back Light Compensation		Off / On	
Electrical Shutter		1/30s - 1/8000s	
Sense up		Off / 1 Frame / 2 Frames / 3 Frames / 7 Frames	
Sense up +		Yes	
Auto Gain Control		36 dB Variable Gain	
3D Noise Reduction		Off / 1 - 32 Selectable	
2D WDR		Off / Auto / x2 / x3 / x4	
Privacy Masking		Off / On (4 zones)	
Image Effects		Brightness, Contrast, Hue, Saturation, Sharpness, Mirror, Flip	
Live Video Output		CVBS 1.0Vp-p, 75 ohm, RCA connector	
Audio Input / Output		Mono, 1.4 Vp-p , 50 KΩ , 3.5mm phone jack	
Image Sensor Module Input		RJ-12 , 6 Pins	
Operating Temperature		-25°C - +50°C (-13°F - 122°F)	
Dimension		Main module : 130mm(W) x 35mm(H) x 93mm(D) , Image sensor module : Ø25 x 32mm	
Weight		Main module : 300g , Image sensor module : 180g	
Power Supply		DC12V ±10% / PoE (IEEE 802.3af compliant)	
Power Consumption		DC12V, 6W / PoE, 7.5W	

Network		
Video compression		H.264 , Motion JPEG
Resolution		1080P(1920 x 1080), 720P(1280 x 720), D1(720 x 480), CIF(352 x 240)
Multiple profile	Profile #1	H.264 : up to 30 fps @ 1920 x 1080 , MJPEG : up to 30 fps @ 720 x 480
	Profile #2	H.264 : up to 30 fps @ 1280 x 720 , MJPEG : up to 30 fps @ 352 x 240
	Profile #3	H.264 : up to 30 fps @ 1920 x 1080 , MJPEG : up to 30 fps @ 1280 x 720
	Profile #4	H.264 : up to 30 fps @ 720 x 480 , MJPEG : up to 15 fps @ 1920 x 1080
Video Streaming		RTP/HTTP, RTP/TCP, RTP/UDP, Multicast
Video bitrate		128Kbps - 5Mbps Frame rate and bit rate controllable on-the-fly VBR / CBR / GOP supported
Security		Base64 HTTP encryption Multiple user access levels with password protection 10 user accounts available
Users		8 simultaneous users
ePTZ & Digital zoom		Yes, ROI is supported
OSD		Text overlay for date, time, and camera name
Alarm Function		Alarm / motion / tampering detection triggering recording into SD card Image upload over HTTP, FTP, and E-mail by tampering / audio / motion detection
CPU, Memory		Embedded SoC ARM11, 528MHz, 256MB DDR2, 256MB flash memory
Maintenance		Firmware update via HTTP Firmware available at web site
Network Interface		10/100Mbps Base-T, RJ-45
PC requirement		OS : Windows 2000, Windows XP, Windows Vista, Windows 7, Windows 8 Browser : Windows Internet Explorer 6.0 or above CPU : Intel Pentium 4 1.8GHz or above RAM : 1GB or above, Independent Display Card
Network protocols		IP, TCP, UDP, HTTP, SMTP, NTP, DDNS, UPnP, FTP, ARP, DHCP, PPPoE, DNS, RTSP, RTCP, Telnet, ICMP, IGMP, ONVIF Profile S, SNMP, SIP, Bonjour
Mobile phone and PDA		iPhone, iPad, and Android support
System Integration		ONVIF & LILIN HTTP API
CMX		CMX 3.6 / NAV 1.0 support
Video display		LILIN Universal ActiveX & LILIN Java Applet
OS		Embedded Linux 2.6.32
Two-way Audio		G.711 / PCM
SD Card Recording		Support Micro SD/SDHC card for circular recording (card is not included)
Alarm Input / Output		Digital 2 input (TTL, +3 - 5VDC) / 1 Output (Relay dry contact N.O. / N.C. , Load max. 24VDC/1A)
Control Interface		RS-485 , Half-Duplex , support MLP2 , Pelco D/P protocols
Sensing Input Interface		Temperature, humidity, PIR and light intensity reading interfaces (optional)





IPS2124N/P / IPS2128N/P 12X DAY & NIGHT IR PTZ DOME IP CAMERA



The IPS2124/ IPS2128 is 12X Day & Night IR PTZ Dome IP Camera. The high-speed dome is capable of streaming HD video at up to 30 FPS. Auto focus Lens feature, capable of making 360° continuous panning, users can accurately position the camera to identify specific targets.

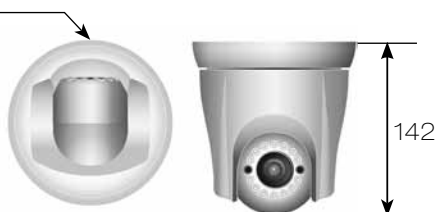
FEATURES :

- 12X Optical zoom Lens (3.8 – 45.6mm)
- True H.264 AVC/MPEG-4 Part 10 Real-Time Video compression
- Higher Horizontal resolution of 540 TV Line
- Privacy zone masking
- Auto focus Lens
- Horizontal Flip
- Auto Panning with Auto Scan or Seq. or Tours
- 360° Endless Panning
- Multi-Protocol
- iPhone and Android Supported
- ONVIF supported

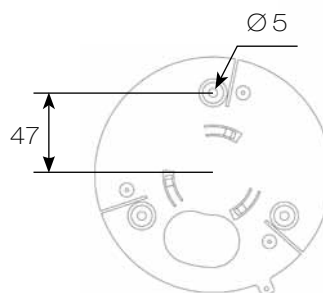
DIMENSIONS : (Unit : mm)

Ø135 x 142

Ø135



INSTALLATION HOLE SITE DIAGRAM :



SPECIFICATION :

Name	12X Day & Night IR PTZ Dome IP Camera	
Model	NTSC	IPS2124N
	PAL	IPS2124P
Power supply	AC 24V ±10%	
Power consumption	13 Watts	
Image pick-up device	Sony 1/4" Super HAD CCD	
Effective pixels	768 (H) x 494 (V) NTSC / 752 (H) x 582 (V) PAL	
Scanning system	2:1 Interlace	
Scanning frequency	15.734 KHz (H) , 59.94 Hz (V) NTSC / 15.625 KHz (H),50 Hz (V) PAL	
Synchronization	Internal	
Video output	CVBS 1.0 Vp-p / 75 ΩBNC	
Horizontal resolution	Color : 540 TV Lines , Mono : 600 TV Lines	
Signal to noise ratio	More than 50 dB (AGC : Off)	
Minimum illumination	Color : 0.3 Lux at F1.6 , Mono : 0 Lux (IR ON)	
Ambient operation temperature	-10°C - +50°C (14°F - 122°F)	
Operating humidity	0% - 90%	
Infrared LED	Peak wavelength	850nm
	Beam spread	30°
	Radiant distance	16M
Dimensions	142 mm (H) x 135 mm (D)	
Weight	1100g	
Pan & Tilt		
Panning range	360° Endless	
Panning mode	Manual , auto , manual position , sequential position	
Panning speed	Manual approx. 0.5°/S - 90°/s 8 steps, Preset approx. 1°/S - 120°/s	
Tilting range	0° - 90°	
Tilting mode	Manual , auto , manual position , sequential position	
Tilting speed	Manual approx. 0.5°/S - 90°/s 8 steps, Preset approx. 1°/S - 120°/s	
Lens		
Zoom ratio	12X Optical zoom	
Focal length	3.8 mm - 45.6 mm	
Maximum aperture ratio	1 : 1.6 (Wide) - 2.7 (Tele)	
Minimum object distance	1 M (Tele)	
Iris range	F/1.6 - F/360	
Angle field of view	Wide : 65.4°(D) 52.8°(H) 39.7°(V) Tele : 5.54°(D) 4.49°(H) 3.40°(V)	
Main Function		
Control interface	RS-485 Half-Duplex	
Control function	Pan and tilt / zoom and focus / Iris and ICR / 128 preset position / home position	
Character display	On / off (preset id : 16 alphanumeric characters, zoom ratio , date / time, pan / tilt angle)	
Zoom speed	1 - 15 selectable [15 : approx. 6.0 Second (tele to wide) in manual mode]	
Focus speed	1 - 15 selectable [15 : approx. 3.0 Second (far to near) in manual mode]	
Focus	Auto / one push	
Iris	ALC (Adjustable output target level)	
Day & Night	Day (color) / night (mono) / auto (ICR filter function) / schedule	
Password lock	Camera advance / presets / Privacy zones / factory initial	
Electronic shutter speed	Auto / manual selectable(1/60 - 1/100,000 sec) NTSC / Auto / manual selectable(1/50 - 1/100,000 sec) PAL	
Back light compensation	On / Off selectable	
White balance	ATW / MWB selectable	
Auto gain control	0 - 36 dB selectable	
Auto mode	Off / auto / seq / tour	
Privacy zone	On / Off selectable (up to 4 zones settings)	
Image mirror	On / Off selectable	
Protocol support	Multi-protocol	
Schedule setting	Day & Night / Auto mode / daylight saving time	
Peripheral Products		
PoE injector	IJ5056D 50W	
PoE splitter	SL4012D 40W	

NETWORK	
Video compression	H.264/AVC Main Profile, Level 3 (I / P / B frames) , Motion JPEG
Resolution	Full D1 : 720 x 480 (NTSC) / 720 x 576 (PAL) CIF : 352 x 240 (NTSC) / 352 x 288 (PAL)
Frame rate	H.264 : up to 30/25 FPS at full D1 resolution JPEG : 1 FPS at CIF
Video streaming	Simultaneous Motion JPEG and H.264 AVC Main Profile Program stream (PS) and transport stream (TS)
OSD image watermark	Time / date and camera title
Audio compression	G.711 / AAC
Video bitrate	3 Mbps to 56 Kbps Frame rate and bitrate controllable on-the-fly VBR / CBR supported
CAVLC / CABAC	Supported
Security	Base64 HTTP encryption Multiple user access levels with password protection 10 user accounts available
Users	8 simultaneous unicast users (H.264) 8 simultaneous HTTP users (H.264) 8 simultaneous HTTP users (JPEG) Unlimited users using multicast (H.264)
Motion	15x10 motion detection zone Image upload over FTP and e-mail by motion detection
CPU, memory	Embedded SoC ARM926 , 166 Mhz , 64MB DDR , 4 MB flash memory
Maintenance	Firmware update via HTTP Firmware available at web site
Network interface	10Mbps / 100Mbps , RJ-45
Client PC requirement	OS : Windows 2000 , Windows XP, Windows Vista Browser : Windows internet explorer 5.0 or above CPU : intel pentium 4 1.8GHz or above RAM : 1GB or above , independent display card
ONVIF	ONVIF supported
Network protocols	IP, TCP, UDP, HTTP, SMTP, ESMTP, NTP, DDNS, FTP, ARP, DHCP, PPPoE, DNS, Telnet, RTP, RTSP, RTCP
Mobile phone support	iPhone and Android support
System integration	HTTPAPI / CMX downloadable
Video display	VLC : H.264 HTTP , unicast , and multicast streaming ActiveX : for JPEG
OS	Embedded Linux 2.6.9
Alarm input / output	1 input / 1 output (N.O. / N.C.)





IPS3124N/P / IPS3128N/P 12X DAY & NIGHT PTZ DOME IP CAMERA



The IPS3124/IPS3128 is 12X Day & Night PTZ Dome IP Camera series. The high-speed dome is capable of streaming HD video at up to 30 FPS. Capable of making 360° continuous panning, users can accurately position the camera to identify specific targets.

FEATURES :

- 12X Optical zoom Lens (3.8 – 45.6mm)
- True H.264 AVC/MPEG-4 Part 10 Real-Time Video compression
- Privacy zone masking
- Higher Horizontal resolution of 540 TV Line
- Auto focus Lens
- Horizontal Flip
- Auto Panning Function with Auto Scan or Seq. or Tours
- 360° Endless Panning
- Multi-Protocol
- iPhone and Android Supported
- ONVIF supported

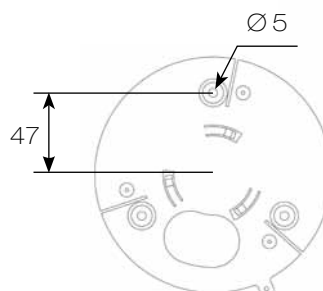
DIMENSIONS : (Unit : mm)

Ø135 x 164

Ø135



INSTALLATION HOLE SITE DIAGRAM :



SPECIFICATION :

Name	12X Day & Night PTZ Dome IP Camera		
Model	NTSC	IPS3124N	IPS3128N
	PAL	IPS3124P	IPS3128P
Power supply	AC 24V ±10%		AC 100V – 240V ±10%
Power consumption	11.5 W		
Image pick-up device	Sony 1/4" Super HAD CCD		
Effective pixels	768 (H) x 494 (V) NTSC / 752 (H) x 582 (V) PAL		
Scanning system	2:1 Interlace		
Scanning frequency	15.734 KHz (H) , 59.94 Hz (V) NTSC / 15.625 KHz (H) , 50 Hz (V) PAL		
Synchronization	Internal		
Video output	CVBS 1.0 Vp-p / 75 ΩBNC		
Horizontal resolution	Color : 540 TV Lines , Mono : 600 TV Lines		
Signal to noise ratio	More Than 50 dB (AGC : Off)		
Minimum illumination	Color : 0.3 Lux at F1.6, Mono : 0.06 Lux at F1.6		
Ambient Operation Temperature	-10°C – +50°C (14°F – 122°F)		
Operating humidity	0% – 90%		
Dimensions	164 mm (H) x 135 mm (D)		
Weight	1150g		
Pan & Tilt			
Panning range	360°Endless		
Panning mode	Manual , auto , manual position , sequential position		
Panning speed	Manual approx. 0.5°/S – 90°/s 8 steps, Preset approx. 1°/S – 120°/s		
Tilting range	0° – 90°		
Tilting mode	Manual , auto , manual position , sequential position		
Tilting speed	Manual approx. 0.5°/S – 90°/s 8 steps, Preset approx. 1°/S – 120°/s		
Lens			
Zoom ratio	12X Optical zoom		
Focal length	3.8 mm – 45.6 mm		
Maximum aperture ratio	1 : 1.6 (Wide) – 2.7 (Tele)		
Minimum object distance	1 M		
Iris range	F/1.6 – F/360		
Angle field of view	Wide : 65.4°(D) 52.8°(H) 39.7°(V) / Tele : 5.54°(D) 4.49°(H) 3.40°(V)		
Main			
Control interface	RS-485 Half-Duplex		
Control function	Pan and tilt / zoom and focus / Iris and ICR / 128 preset position / home position		
Character display	On / off (Preset ID : 16 Alphanumeric Characters, Zoom ratio, Date / Time, Pan / Tilt Angle)		
Zoom speed	1 – 15 selectable [15 : Approx. 6.0 Second (Tele to Wide) in manual Mode]		
Focus speed	1 – 15 selectable [15 : Approx. 3.0 Second (Far to Near) in manual Mode]		
Focus	Auto / one push		
Iris	ALC (Adjustable Output Target Level)		
Day & Night	Day (color) / night (mono) / auto (ICR filter function) / schedule		
Password lock	Camera advance / presets / Privacy zones / factory initial		
Electronic shutter speed	Auto / manual selectable(1/60 – 1/100,000 sec) NTSC / Auto / manual selectable(1/50 – 1/100,000 sec) PAL		
Back light compensation	On / Off selectable		
White balance	ATW / MWB selectable		
Auto gain control	0 – 36 dB selectable		
Auto mode	Off / auto / seq / tour		
Privacy zone	On / Off selectable (Up to 4 Zones Settings)		
Image mirror	On / Off selectable		
Schedule setting	Day & Night / Auto mode / daylight saving time		
Peripheral Products	IJ1748D 17W (PoE injector) / SL1212D 12W (PoE splitter)		

Network	
Video compression	H.264/AVC Main Profile, Level 3 (I / P / B frames), Motion JPEG
Resolution	Full D1 : 720 x 480 (NTSC) / 720 x 576 (PAL) CIF : 352 x 240 (NTSC) / 352 x 288 (PAL)
Frame rate	H.264 : up to 30/25 FPS at full D1 resolution JPEG : 1 FPS at CIF
Video streaming	Simultaneous Motion JPEG and H.264 AVC Main Profile Program stream (PS) and transport stream (TS)
OSD image watermark	Time / date and camera title
Audio compression	G.711 / AAC
Video bitrate	3 Mbps to 56 Kbps Frame rate and bitrate controllable on-the-fly VBR / CBR supported
CAVLC / CABAC	Supported
Security	Base64 HTTP encryption Multiple user access levels with password protection 10 user accounts available
Users	8 simultaneous unicast users (H.264) 8 simultaneous HTTP users (H.264) 8 simultaneous HTTP users (JPEG) Unlimited users using multicast (H.264)
Motion	15x10 motion detection zone Image upload over FTP and e-mail by motion detection
CPU, memory	Embedded SoC ARM926 , 166 Mhz , 64MB DDR , 4 MB flash memory
Maintenance	Firmware update via HTTP Firmware available at web site
Network interface	10Mbps / 100Mbps , RJ-45
Client PC requirement	OS : Windows 2000 , Windows XP , Windows Vista Browser : Windows internet explorer 5.0 or above CPU : intel pentium 4 1.8GHz or above RAM : 1GB or above , independent display card
ONVIF	ONVIF supported
Network protocols	IP, TCP, UDP, HTTP, SMTP, ESMT, NTP, DDNS, FTP, ARP, DHCP, PPPoE, DNS, Telnet, RTP, RTSP, RTCP
Mobile phone support	iPhone and Android support
System integration	HTTPAPI / CMX downloadable
Video display	VLC : H.264 HTTP , unicast , and multicast streaming ActiveX : for JPEG
OS	Embedded Linux 2.6.9





IPS9364N/P / IPS9368N/P

36X DAY & NIGHT WDR 650TVL PTZ DOME IP CAMERA (INDOOR)



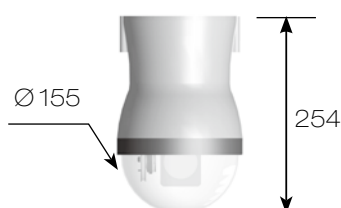
The IPS9364/IPS9368 is 36X Day & Night WDR 650TVL PTZ Dome IP Camera. The high-speed dome is capable of streaming HD video at up to 30 FPS. Featuring LILIN's Wide dynamic Range (WDR) feature, the IPS9364/IPS9368 captures highlights and shadows simultaneously, eliminating pixilation and smear. Combine this with 3D Noise Reduction technology and adaptive tone reproduction and the contrast of images in bright or dark areas is dramatically improved. Capable of making 360° continuous rotations, users can accurately position the camera to identify specific targets.

FEATURES :

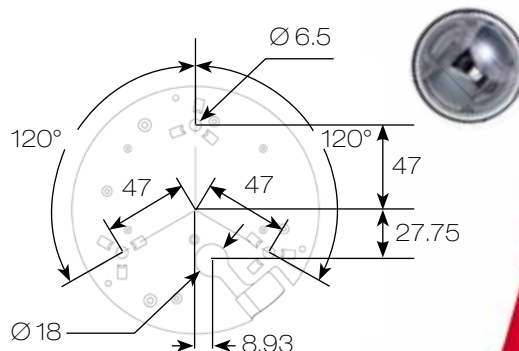
- 36X Optical zoom Lens(3.3 – 119mm)
- 256X Digital zoom
- 650 Horizontal TV Lines
- True H.264 AVC/MPEG-4 part 10 real-time Video compression
- H.264 and Motion JPEG multi-profile Video streaming
- Wide dynamic range
- 2D+3D Digital noise reduction
- High Light Compensation
- Digital Image Stabilizer
- Dynamic Privacy zone masking
- Up to 128 Programmable Preset Positions
- 2-way audio supported
- ONVIF supported

DIMENSIONS : (Unit : mm)

Ø 155 x 245



INSTALLATION HOLE SITE DIAGRAM :



SPECIFICATION :

Name	36X Day & Night WDR 650TVL PTZ Dome IP Camera (Indoor)			
Model	IPS9364N	IPS9368N	IPS9364P	IPS9368P
System	NTSC		PAL	
Power supply	AC24V	AC100 - 240V	AC24V	AC100 - 240V
Power consumption	15W			
Image pick-up device	Sony 1/4" 960H			
Effective pixels	976(H) x 494(V)		976(H) x 582(V)	
Total number of pixel	1028(H) x 508(V)		1028(H) x 596(V)	
Scanning system	2:1 Interlace			
Scanning frequency	15.734KHz(H) / 60Hz(V)		15.625KHz(H) / 50Hz(V)	
Synchronization	Internal / line lock selectable			
Video output	CVBS 1.0 Vp-p / 75 Ω BNC			
Horizontal resolution	Color : 650 TV Lines , Mono : 700 TV Lines			
Signal to noise ratio	More Than 50 dB (AGC : Off)			
Minimum illumination	Color : 0.1 Lux at F1.4 , Mono : 0.05 Lux at F1.4			
Ambient operating temperature	- 10°C - + 50°C (14°F - 122°F)			
Operating humidity	0% - 90%			
Dimension	Ø 155 mm x 245 mm			
Weight	2300 g			
Pan & Tilt				
Panning range	360° Endless			
Panning mode	Manual , auto , manual position , sequential position			
Panning speed	Manual approx. 0.15°/S - 120°/s 8 steps, Preset approx. 1°/S - 255°/s, alarm trigger speed 360°/s			
Tilting range	- 6° - + 96°			
Tilting mode	Manual , auto , manual position , sequential position			
Tilting speed	Manual approx. 0.15°/S - 120°/s 8 steps, Preset approx. 1°/S - 255°/s, alarm trigger speed 360°/s			
Lens				
Zoom ratio	36X Optical zoom			
Focal length	3.3 mm - 119 mm			
Minimum aperture ratio	1 : 1.4 (Wide) - 4.2 (Tele)			
Minimum object distance	1.5 M (Tele)			
Iris range	F1.6 - 360 , close			
Angle field of view	Wide : 69.52° (D) 58.00° (H) 45.30° (V) / Tele : 2.20° (D) 1.72° (H) 1.38° (V)			
Main functions				
Control interface	RS-485 Transmission			
Protocol	LILIN (MLP1,MLP2) / PELCO-D / PELCO-P / Panasonic / Kalatel			
Control function	Pan and tilt / zoom and focus / iris and icr / 128 preset position / home position / patrol			
Character display	On / off (preset id : 16 alphanumeric characters , zoom ratio , alarm message , date / time , pan / tilt angle)			
Password lock	Function setup			
Digital zoom ratio	256X			
Zoom speed	Slow / mid. / Fast Selectable [fast : approx. 7.0 second (tele to wide) in manual mode]			
Focus speed	Slow / mid. / Fast Selectable [fast : approx. 7.0 second (far to near) in manual mode]			
Auto focus	Auto / one push			
Iris	ALC (Adjustable output target level) / manual			
Day & Night	Day / night / auto / schedule			
Electronic image stabilizer	Off / on			
Electronic shutter speed	1/60 to 1/100,000		1/50 to 1/100,000	
Slow shutter speed	Up to 15 field			
Exposure mode	Auto / manual			
Wide dynamic range	Off / on (60 dB)			
ATR (Adaptive tone reproduction)	Off / on (Low / middle / high)			
BLC (Back light compensation)	Off / on			
HLC (High light compensation)	Off / on / auto			
Sharpness	Adjustable			
White balance	ATW / AWC / manual (1800K - 10500K)			
Auto gain control	Off /low / middle / high			
2D+3D Digital noise reduction	Off /low / middle / high			
Auto mode	Off / auto / seq / tour / patrol (stop / play / learn)			
Privacy zone	Off / on selectable (up to 8 zones settings)			
Digital effect	Off / V-flip / mirror / rotate			
Alarm input / output	3 input [Alarm in 1 - 3 (NC / NO) (TTL 5VDC)], 1 output (Alarm out NC / NO) (0.5A 120VAC,1A 24VAC)			
2-way audio supported	G.711			
Schedule setting	Alarm input / Auto mode / daylight saving time			
Network				
Video compression	H.264 , Motion JPEG			
Resolution	960H : 960 x 480 (NTSC) / 960 x 576 (PAL), D1 : 720 x 480 , CIF : 352 x 240			
Frame rate	H.264 : up to 30/25 FPS at 960H resolution Motion JPEG : up to 30/25 FPS at D1 resolution			
Video streaming	RTP/HTTP, RTP/TCP, RTP/UDP/Multicast			
Video bitrate	128 Kbps to 5 Mbps Frame rate and bitrate controllable on-the-fly VBR / CBR / GOP supported			
Security	Base64 HTTP encryption Multiple user access levels with password protection 10 user accounts available			
Users	8 simultaneous users			
Alarm function	Image upload over FTP and E-mail by alarm / motion detection			
CPU, memory	Embedded SoC ARM11, 528MHz, 256MB DDR2, 256MB flash memory			
Web PTZ control	Pan , tilt , zoom in / out , absolute position, and video-click-n-move			
PTZ preset scheduling	Yes, via web interface			
Maintenance	Firmware update via HTTP Firmware available at website			
Network interface	10Mbps / 100Mbps , RJ-45			
Client PC requirement	OS : Windows 2000 , Windows XP , Windows Vista, Windows 7 Browser : Windows Internet Explorer 6.0 or above CPU : intel pentium 4 1.8GHz or above RAM : 1GB or above, independent display card			
Network protocols	IP, TCP, UDP, HTTP, SMTP, NTP, DDNS, UPnP, FTP, ARP, DHCP, PPPoE, DNS, Telnet, RTSP, RTCP, ONVIF Profile S, ICMP, IGMP			
Mobile phone	iPhone, iPad, and Android support			
System integration	ONVIF & LILIN HTTPAPI			
Central management system	CMX 3.6 / NAV 1.0 support			
Video display	LILIN Universal ActiveX & LILIN Java Applet			
OS	Embedded Linux 2.6.32			





IPS8364N/P / IPS8368N/P

36X DAY & NIGHT WDR 650TVL PTZ DOME IP CAMERA (OUTDOOR)



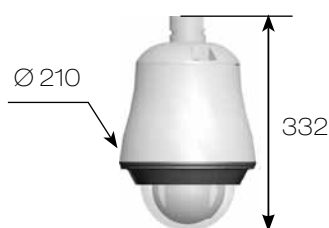
The IPS8364/IPS8368 is 36X Day & Night WDR 650TVL PTZ Dome IP Camera. The high-speed dome is capable of streaming HD video at up to 30 FPS. Featuring LILIN's Wide dynamic Range (WDR) feature, the IPS8364/IPS8368 captures highlights and shadows simultaneously, eliminating pixilation and smear. Combine this with 3D Noise Reduction technology and adaptive tone reproduction and the contrast of images in bright or dark areas is dramatically improved. Capable of making 360° continuous rotations, users can accurately position the camera to identify specific targets.

FEATURES :

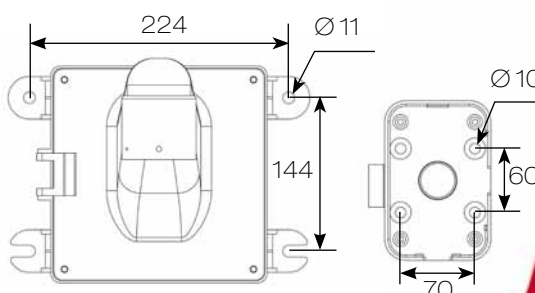
- 36X Optical zoom Lens (3.3 – 119mm)
- 256X Digital zoom
- 650 Horizontal TV Lines
- True H.264 AVC/MPEG-4 part 10 real-time Video compression
- H.264 and Motion JPEG multi-profile Video streaming
- Wide dynamic range / 2D+3D Digital noise reduction
- High Light Compensation
- Digital Image Stabilizer
- Dynamic privacy zone masking
- Up to 128 Programmable Preset Positions
- 2-way audio supported
- ONVIF supported
- Weatherproof IP 66

DIMENSIONS : (Unit : mm)

Ø 210 x 332



INSTALLATION HOLE SITE DIAGRAM :



SPECIFICATION :

Name	36X Day & Night WDR 650TVL PTZ Dome IP Camera (Outdoor)			
Model	IPS8364N	IPS8368N	IPS8364P	IPS8368P
System	NTSC			
Power supply	AC24V	AC100 – 240V	AC24V	AC100 – 240V
Power consumption	25W (with Heater)	63W (with Heater)	25W (with Heater)	63W (with Heater)
Image pick-up device	Sony 1/4" 960H			
Effective pixels	976(H) x 494(V)		976(H) x 582(V)	
Total number of pixel	1028(H) x 508(V)		1028(H) x 596(V)	
Scanning system	2:1 Interlace			
Scanning frequency	15.734KHz(H) / 60Hz(V)		15.625KHz(H) / 50Hz(V)	
Synchronization	Internal / line lock selectable			
Video output	CVBS 1.0 Vp-p / 75 Ω BNC			
Horizontal resolution	Color : 650 TV Lines , Mono : 700 TV Lines			
Signal to noise ratio	More Than 50 dB (AGC : Off)			
Minimum illumination	Color : 0.1 Lux at F1.4 , Mono : 0.05 Lux at F1.4			
IP rating	IP66			
Ambient operating temperature	-40°C – +50°C (-40°F – 122°F)			
Operating humidity	0% – 90%			
Dimension	Ø 210 mm x 332 mm			
Weight	3200 g			
Heater Activation	On: 15°C , Off: 25 °C			
Fan Activation	On: 35°C , Off: 25 °C			
Pan & Tilt				
Panning range	360° Endless			
Panning mode	Manual , auto , manual position , sequential position			
Panning speed	Manual approx. 0.15°/s – 120°/s 8 Steps, Preset approx. 1°/s – 255°/s, Alarm Trigger Speed 360°/s			
Tilting range	- 6° – + 96°			
Tilting mode	Manual , auto , manual position , sequential position			
Tilting speed	Manual approx. 0.15°/s – 120°/s 8 Steps, Preset approx. 1°/s – 255°/s, Alarm Trigger Speed 360°/s			
Lens				
Zoom ratio	36X Optical zoom			
Focal length	3.3 mm – 119 mm			
Minimum aperture ratio	1 : 1.4 (Wide) – 4.2 (Tele)			
Minimum object distance	1.5 M (Tele)			
Iris range	F1.4 – 360 , close			
Angle field of view	Wide : 72.51° (D) 60.15° (H) 46.3° (V) Tele : 2.13° (D) 1.47° (H) 1.20° (V)			
Main Functions				
Control interface	RS-485 Transmission			
Protocol	LILIN (MLP1,MLP2) / PELCO-D / PELCO-P / Panasonic / Kalatel			
Control function	Pan and tilt / zoom and focus / iris and icr / 128 preset position / home position / patrol			
Character display	On / off (preset id : 16 alphanumeric characters , zoom ratio , alarm message , date / time , pan / tilt angle)			
Password lock	Function setup			
Digital zoom ratio	256X			
Zoom speed	0 – 7 selectable [7: Approx. 7.0 Second (Tele to Wide) in manual Mode]			
Focus speed	Slow / MID. / Fast Selectable [Fast : Approx. 7.0 Second (Far to Near) in manual Mode]			
Auto focus	Auto / one push			
Iris	ALC (Adjustable output target level) / manual			
Day & Night	Day / night / auto / schedule			
Electronic image stabilizer	Off / on			
Electronic shutter speed	1/60 to 1/100,000		1/50 to 1/100,000	
Slow shutter speed	Up to 15 field			
Exposure mode	Auto / manual			
Wide dynamic range	Off / on (60 dB)			
ATR (Adaptive tone reproduction)	Off / on (low / middle / high)			
BLC (Back light compensation)	Off / on			
HLC (High light compensation)	Off / Auto			
Sharpness	Adjustable			
White balance	ATW / AWC / manual (1800K – 10500K)			
Auto gain control	Off /low / middle / high			
2D+3D Digital noise reduction	Off /low / middle / high			
Auto mode	Off / auto / seq / tour / PATROL (STOP / PLAY / LEARN)			
Privacy zone	Off / on selectable (Up to 8 Zones Settings)			
Digital effect	Off / V-flip / mirror / rotate			
Alarm input / output	3 Input [Alarm In 1 – 3 (NC / NO) (TTL 5Vdc)] , 1 Output (Alarm Out NC / NO) (0.5A 120Vac,1A 24Vac)			
2-way audio supported	G.711			
Schedule setting	Alarm input / auto mode / daylight saving time			
Network				
Video compression	H.264 , Motion JPEG			
Resolution	960H : 960 x 480 (NTSC) / 960 x 576 (PAL), D1 : 720 x 480 , CIF : 352 x 240			
Frame rate	H.264 : up to 30/25 FPS at 960H resolution Motion JPEG : up to 30/25 FPS at D1 resolution			
Video streaming	RTP/HTTP, RTP/TCP, RTP/UDP/Multicast 128 Kbps to 5 Mbps			
Video bitrate	Frame rate and bitrate controllable on-the-fly VBR / CBR / GOP supported			
Security	Base64 HTTP encryption Multiple user access levels with password protection 10 user accounts available			
Users	8 simultaneous users			
Alarm function	Image upload over FTP and E-mail by alarm / motion detection			
CPU, memory	Embedded SoC ARM11, 528MHz, 256MB DDR2, 256MB flash memory			
Web PTZ control	Pan , tilt , zoom in / out , absolute position, and video-click-n-move			
PTZ preset scheduling	Yes, via web interface			
Maintenance	Firmware update via HTTP Firmware available at website			
Network interface	10Mbps / 100Mbps , RJ-45			
Client PC requirement	OS : Windows 2000 , Windows XP , Windows Vista, Windows 7 Browser : Windows Internet Explorer 6.0 or above CPU : intel pentium 4 1.8GHz or above RAM : 1GB or above, independent display card			
Network protocols	IP, TCP, UDP, HTTP, SMTP, NTP, DDNS, UPnP, FTP, ARP, DHCP, PPPoE, DNS, Telnet, RTSP, RTCP, ONVIF Profile S, ICMP, IGMP			
Mobile phone	iPhone, iPad, and Android support			
System integration	ONVIF & LILIN HTTPAPI			
CMS	CMX 3.6 / NAV 1.0 support			
Video display	LILIN Universal ActiveX & LILIN Java Applet			
OS	Embedded Linux 2.6.32			





IPS9264N/P / IPS9268N/P

26X DAY & NIGHT WDR 650TVL PTZ DOME IP CAMERA (INDOOR)



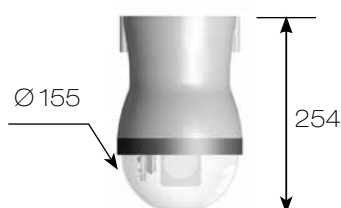
The IPS9264/IPS9268 is 26X Day & Night WDR 650TVL PTZ Dome IP Camera. The high-speed dome is capable of streaming HD video at up to 30 FPS. Featuring LILIN's Wide dynamic Range (WDR) feature, the IPS9264/IPS9268 captures highlights and shadows simultaneously, eliminating pixilation and smear. Combine this with 3D Noise Reduction technology and adaptive tone reproduction and the contrast of images in bright or dark areas is dramatically improved. Capable of making 360° continuous rotations, users can accurately position the camera to identify specific targets.

FEATURES :

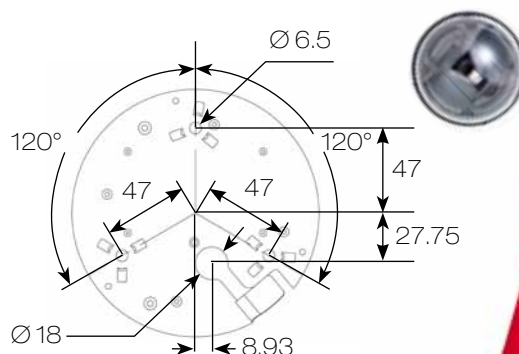
- 26X Optical zoom Lens(3.2 – 83.2mm)
- 256X Digital zoom
- 650 Horizontal TV Lines
- True H.264 AVC/MPEG-4 part 10 real-time Video compression
- H.264 and Motion JPEG multi-profile Video streaming
- Wide dynamic range
- 2D+3D Digital noise reduction
- High Light Compensation
- Digital Image Stabilizer
- Dynamatic Privacy zone Mask
- Up to 128 Programmable Preset Positions
- 2-way audio supported
- ONVIF supported

DIMENSIONS : (Unit : mm)

Ø 155 x 245



INSTALLATION HOLE SITE DIAGRAM :



SPECIFICATION :

Name	26X Day & Night WDR 650TVL PTZ Dome IP Camera (Indoor)			
Model	IPS9264N	IPS9268N	IPS9264P	IPS9268P
System	NTSC		PAL	
Power supply	AC24V	AC100 - 240V	AC24V	AC100 - 240V
Power consumption	15W			
Image pick-up device	Sony 1/4" 960H			
Effective pixels	976(H) x 494(V)		976(H) x 582(V)	
Total number of pixel	1028(H) x 508(V)		1028(H) x 596(V)	
Scanning system	2:1 Interlace			
Scanning frequency	15.734KHz(H) / 60Hz(V)		15.625KHz(H) / 50Hz(V)	
Synchronization	Internal / line lock selectable			
Video output	CVBS 1.0 Vp-p / 75 Ω BNC			
Horizontal resolution	Color : 650 TV Lines , Mono : 700 TV Lines			
Signal to noise ratio	More Than 50 dB (AGC : Off)			
Minimum illumination	Color : 0.2 Lux at F1.6 , Mono : 0.1 Lux at F1.6			
Ambient operating temperature	- 10°C - + 50°C (14°F - 122°F)			
Operating humidity	0% - 90%			
Dimension	Ø 155 mm x 245 mm			
Weight	2300 g			
Pan & Tilt				
Panning range	360° Endless			
Panning mode	Manual , auto , manual position , sequential position			
Panning speed	Manual approx. 0.15°/s - 120°/s 8 steps, Preset approx. 1°/s - 255°/s, alarm trigger speed 360°/s			
Tilting range	- 6° - + 96°			
Tilting mode	Manual , auto , manual position , sequential position			
Tilting speed	Manual approx. 0.15°/s - 120°/s 8 steps, Preset approx. 1°/s - 255°/s, alarm trigger speed 360°/s			
Lens				
Zoom ratio	26X Optical zoom			
Focal length	3.2 mm - 83.2 mm			
Minimum aperture ratio	1 : 1.6 (Wide) - 3.8 (Tele)			
Minimum object distance	1.5 M (Tele)			
Iris range	F1.6 - 360 , close			
Angle field of view	Wide : 74.8° (D) 61.2° (H) 46.5° (V) / Tele : 3.1° (D) 2.5° (H) 1.8° (V)			
Main functions				
Control interface	RS-485 Transmission			
Protocol	LILIN (MLP1,MLP2) / PELCO-D / PELCO-P / Panasonic / Kalatel			
Control function	Pan and tilt / zoom and focus / iris and icr / 128 preset position / home position / patrol			
Character display	On / off (preset id : 16 alphanumeric characters , zoom ratio , alarm message , date / time , pan / tilt angle)			
Password lock	Function setup			
Digital zoom ratio	256X			
Zoom speed	0 - 7 selectable [7: Approx. 7.0 Second (Tele to Wide) in manual Mode]			
Focus speed	Slow / MID. / Fast Selectable [Fast : Approx. 5.0 Second (Far to Near) in manual Mode]			
Auto focus	Auto / one push			
Iris	ALC (Adjustable output target level) / manual			
Day & Night	Day / night / auto / schedule			
Electronic image stabilizer	Off / on			
Electronic shutter speed	1/60 to 1/100,000		1/50 to 1/100,000	
Slow shutter speed	Up to 15 field			
Exposure mode	Auto / manual			
Wide dynamic range	Off / on (60 dB)			
ATR (Adaptive tone reproduction)	Off / on (low / middle / high)			
BLC (Back light compensation)	Off / on			
HLC (High light compensation)	Off / Auto			
Sharpness	Adjustable			
White balance	ATW / AWC / manual (1800K - 10500K)			
Auto gain control	Off / low / middle / high			
2D+3D Digital noise reduction	Off / low / middle / high			
Auto mode	Off / auto / seq / tour / PATROL (STOP / PLAY / LEARN)			
Privacy zone	Off / on selectable (Up to 8 Zones Settings)			
Digital effect	Off / V-flip / mirror / rotate			
Alarm input / output	3 Input [Alarm In 1 - 3 (NC / NO) (TTL 5Vdc)] , 1 Output (Alarm Out NC / NO) (0.5A 120Vac,1A 24Vac)			
2-way audio supported	G.711			
Schedule setting	Alarm input / Auto mode / daylight saving time			
Network				
Video compression	H.264 , Motion JPEG			
Resolution	960H : 960 x 480 (NTSC) / 960 x 576 (PAL) , D1 : 720 x 480 , CIF : 352 x 240			
Frame rate	H.264 : up to 30/25 FPS at 960H resolution Motion JPEG : up to 30/25 FPS at D1 resolution			
Video streaming	RTP/HTTP, RTP/TCP, RTP/UDP			
Video bitrate	128 Kbps to 5 Mbps Frame rate and bitrate controllable on-the-fly VBR / CBR / GOP supported			
Security	Base 64 HTTP encryption Multiple user access levels with password protection 10 user accounts available			
Users	8 simultaneous users			
Alarm function	Image upload over FTP and E-mail by alarm / motion detection			
CPU, memory	Embedded SoC ARM11, 528MHz, 256MB DDR2, 256MB flash memory			
Web PTZ control	Pan , tilt , zoom in / out , absolute position, and video-click-n-move			
PTZ preset scheduling	Yes, via web interface			
Maintenance	Firmware update via HTTP Firmware available at website			
Network interface	10Mbps / 100Mbps , RJ-45			
Client PC requirement	OS : Windows 2000 , Windows XP , Windows Vista, Windows 7 Browser : Windows Internet Explorer 6.0 or above CPU : intel pentium 4 1.8GHz or above RAM : 1GB or above, independent display card			
Network protocols	IP, TCP, UDP, HTTP, SMTP, NTP, DDNS, UPnP, FTP, ARP, DHCP, PPPoE, DNS, Telnet, RTSP, RTCP, ONVIF Profile S ,ICMP, IGMP			
Mobile phone	iPhone, iPad, and Android support			
System integration	ONVIF & LILIN HTTPAPI			
Central management system	CMX 3.6 / NAV 1.0 support			
Video display	LILIN Universal ActiveX & LILIN Java Applet			
OS	Embedded Linux 2.6.32			





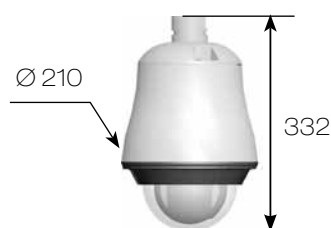
The IPS8264/IPS8268 is 650TVL IP PTZ Dome camera. The high-speed dome is capable of streaming HD video at up to 30 FPS. Featuring LILIN's Wide dynamic Range (WDR) feature, the IPS8264/IPS8268 captures highlights and shadows simultaneously, eliminating pixilation and smear. Combine this with 3D Noise Reduction technology and adaptive tone reproduction and the contrast of images in bright or dark areas is dramatically improved. Capable of making 360° continuous rotations, users can accurately position the camera to identify specific targets. The 26x optical zoom gives the IPS8264/IPS8268 an impressive range. With a focal length of 3.2 – 83.2mm, an IP66 weatherproof rating and a compact design, the IPS4184S/IPS4188S is ideal for numerous applications.

FEATURES :

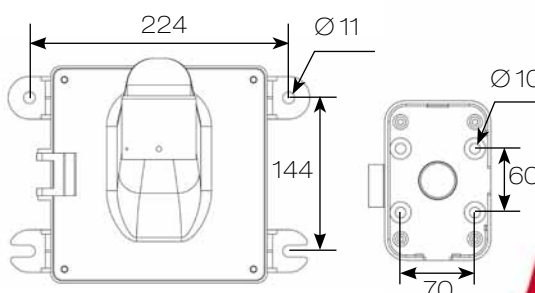
- 26X Optical zoom Lens(3.2 – 83.2mm)
- 256X Digital zoom
- 650 Horizontal TV Lines
- True H.264 AVC/MPEG-4 part 10 real-time Video compression
- H.264 and Motion JPEG multi-profile Video streaming
- 2D+3D Digital noise reduction / Wide dynamic range
- High Light Compensation
- Digital Image Stabilizer
- Dynamic Privacy zone Mask
- Up to 128 Programmable Preset Positions
- 2-way audio supported
- ONVIF supported
- Weatherproof IP 66

DIMENSIONS : (Unit : mm)

Ø 210 x 332



INSTALLATION HOLE SITE DIAGRAM :



SPECIFICATION :

Name	26X Day & Night WDR 650TVL PTZ Dome IP Camera (Outdoor)			
Model	IPS8264N	IPS8268N	IPS8264P	IPS8268P
System	NTSC			
Power supply	AC24V	AC100 – 240V	AC24V	AC100 – 240V
Power consumption	25W (with Heater)	63W (with Heater)	25W (with Heater)	63W (with Heater)
Image pick-up device	Sony 1/4" 960H			
Effective pixels	976(H) x 494(V)		976(H) x 582(V)	
Total number of pixel	1028(H) x 508(V)		1028(H) x 596(V)	
Scanning system	2:1 Interlace			
Scanning frequency	15.734KHz(H) / 60Hz(V)		15.625KHz(H) / 50Hz(V)	
Synchronization	Internal / line lock selectable			
Video output	CVBS 1.0 Vp-p / 75 Ω BNC			
Horizontal resolution	Color : 650 TV Lines , Mono : 700 TV Lines			
Signal to noise ratio	More Than 50 dB (AGC : Off)			
Minimum illumination	Color : 0.2 Lux at F1.6 , Mono : 0.1 Lux at F1.6			
IP rating	IP66			
Ambient operating temperature	-40°C – +50°C (-40°F – 122°F)			
Operating humidity	0% – 90%			
Dimension	Ø 210 mm x 332 mm			
Weight	3200 g			
Heater Activation	On: 15 °C , Off: 25 °C			
Fan Activation	On: 35 °C , Off: 25 °C			
Pan & Tilt				
Panning range	360° Endless			
Panning mode	Manual , auto , manual position , sequential position			
Panning speed	Manual approx. 0.15°/s – 120°/s 8 Steps, Preset approx. 1°/s – 255°/s, alarm trigger speed 360°/s			
Tilting range	- 6° – + 96°			
Tilting mode	Manual , auto , manual position , sequential position			
Tilting speed	Manual approx. 0.15°/s – 120°/s 8 Steps, Preset approx. 1°/s – 255°/s, alarm trigger speed 360°/s			
Lens				
Zoom ratio	26X Optical zoom			
Focal length	3.2 mm – 83.2 mm			
Minimum aperture ratio	1 : 1.6 (Wide) – 3.8 (Tele)			
Minimum object distance	1.0 m (Tele)			
Iris range	F1.6 – 360 , close			
Angle field of view	Wide : 74.8° (D) 61.2° (H) 46.5° (V) / Tele : 3.1° (D) 2.5° (H) 1.8° (V)			
Main functions				
Control interface	RS-485 Transmission			
Protocol	LILIN (MLP1,MLP2) / PELCO-D / PELCO-P / Panasonic / Kalatel			
Control function	Pan and tilt / zoom and focus / iris and icr / 128 preset position / home position / patrol			
Character display	On / off (preset id : 16 alphanumeric characters , zoom ratio , alarm message , date / time , pan / tilt angle)			
Password lock	Function setup			
Digital zoom ratio	256X			
Zoom speed	0 – 7 selectable [7: Approx. 7.0 Second (Tele to Wide) in manual Mode]			
Focus speed	Slow / MID. / Fast Selectable [Fast : Approx. 5.0 Second (Far to Near) in manual Mode]			
Auto focus	Auto / one push			
Iris	ALC (Adjustable output target level) / manual			
Day & Night	Day / night / auto / schedule			
Electronic image stabilizer	Off / on			
Electronic shutter speed	1/60 to 1/100,000		1/50 to 1/100,000	
Slow shutter speed	Up to 15 field			
Exposure mode	Auto / manual			
Wide dynamic range	Off / on (60 dB)			
ATR (Adaptive tone reproduction)	Off / on (low / middle / high)			
BLC (Back light compensation)	Off / on			
HLC (High light compensation)	Off / Auto			
Sharpness	Adjustable			
White balance	ATW / AWC / manual (1800K – 10500K)			
Auto gain control	Off / low / middle / high			
2D+3D Digital noise reduction	Off / low / middle / high			
Auto mode	Off / auto / seq / tour / PATROL (STOP / PLAY / LEARN)			
Privacy zone	Off / on selectable (Up to 8 zones settings)			
Digital effect	Off / V-flip / mirror / rotate			
Alarm input / output	3 Input [alarm in 1 – 3 (NC / NO) (TTL 5VDC)] , 1 output (Alarm out NC / NO) (0.5A 120VAC,1A 24VAC)			
2-way audio supported	G.711			
Schedule setting	Alarm input / Auto mode / daylight saving time			
Network				
Video compression	H.264 , Motion JPEG			
Resolution	960H : 960 x 480 (NTSC) / 960 x 576 (PAL) , D1 : 720 x 480 , CIF : 352 x 240			
Frame rate	H.264 : up to 30/25 FPS at 960H resolution Motion JPEG : up to 30/25 FPS at D1 resolution			
Video streaming	RTP/HTTP, RTP/TCP, RTP/UDP/Multicast			
Video bitrate	128 Kbps to 5 Mbps			
	Frame rate and bitrate controllable on-the-fly			
	VBR / CBR / GOP supported			
Security	Base64 HTTP encryption			
	Multiple user access levels with password protection			
	10 user accounts available			
Users	8 simultaneous users			
Alarm function	Image upload over FTP and E-mail by alarm / motion detection			
CPU, memory	Embedded SoC ARM11, 528MHz, 256MB DDR2, 256MB flash memory			
Web PTZ control	Pan , tilt , zoom in / out , absolute position, and video-click-n-move			
PTZ preset scheduling	Yes, via web interface			
Maintenance	Firmware update via HTTP			
	Firmware available at website			
Network interface	10Mbps / 100Mbps , RJ-45			
Client PC requirement	OS : Windows 2000 , Windows XP , Windows Vista, Windows 7 Browser : Windows Internet Explorer 6.0 or above CPU : intel pentium 4 1.8GHz or above RAM : 1GB or above, independent display card			
Network protocols	IP, TCP, UDP, HTTP, SMTP, NTP, DDNS, UPnP, FTP, ARP, DHCP, PPPoE, DNS, Telnet, RTSP, RTCP, ONVIF Profile S ,ICMP, IGMP			
Mobile phone	iPhone, iPad, and Android support			
System integration	ONVIF & LILIN HTTPAPI			
Central management system	CMX 3.6 / NAV 1.0 support			
Video display	LILIN Universal ActiveX & LILIN Java Applet			
OS	Embedded Linux 2.6.32			





IPS5204 / IPS5208

20X DAY & NIGHT 1080P HD WDR PTZ DOME IP CAMERA (INDOOR)



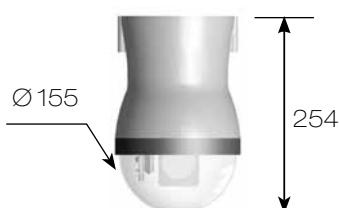
The IPS5204 / IPS5208 is 1080P HD IP PTZ Dome camera. The high-speed domes are capable of streaming HD video at up to 30 FPS. Featuring LILIN's Wide dynamic Range (WDR) feature, the IPS5204 / IPS5208 captures highlights and shadows simultaneously, eliminating pixilation and smear. Combine this with 3D Noise Reduction technology and adaptive tone reproduction and the contrast of images in bright or dark areas is dramatically improved. Capable of making 360° continuous rotations with a speed range of 0.15° – 360° per second, users can accurately position the camera to identify specific targets. The 20x optical zoom and 12x digital zoom capacity give the IPS5204/IPS5208 an impressive range.

FEATURES :

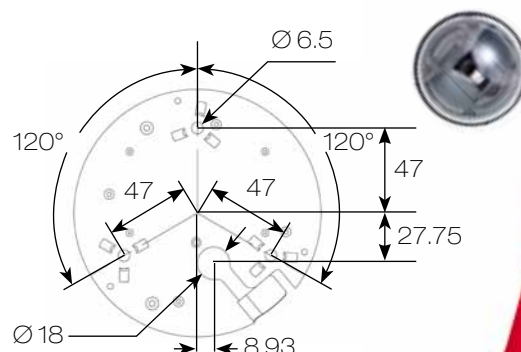
- 20X Optical zoom Lens(4.7 – 94mm)
- 12X Digital zoom
- Full HD 2.38 megapixel CMOS image sensor
- True H.264 AVC/MPEG-4 part 10 real-time Video compression
- H.264 and Motion JPEG multi-profile Video streaming
- Wide dynamic range
- Digital noise reduction
- Dynamic privacy zone mask
- Day & Night (IR cut removable)
- Up to 128 Programmable Preset Positions
- 2-way audio supported
- ONVIF supported

DIMENSIONS : (Unit : mm)

Ø 155 x 245



INSTALLATION HOLE SITE DIAGRAM :



SPECIFICATION :

Name	20X Day & Night 1080P HD WDR PTZ Dome IP Camera (Indoor)	
Model	IPS5204	IPS5208
Power supply	AC24V	AC100 - 240V
Power consumption	15.5W	16W
Image pick-up device	1/2.8 Type CMOS Sensor	
Effective pixels	1944 (H) x 1224 (V) = 2,379,456 (pixels)	
Total number of pixel	1952 (H) x 1236 (V) = 2,412,692 (pixels)	
Scanning system	Progressive scan	
Video output	CVBS 1.0 Vp-p / 75 Ω BNC	
Minimum illumination	0.4 Lux (1/30 sec, F1.6(wide), 50IRE, AGC-Gain: 45dB, ICR-OFF)	
	0.1 Lux (1/8 sec, F1.6(wide), 50IRE, AGC-Gain: 45dB, ICR-OFF)	
	0.01 Lux (1/8 sec, F1.6(wide), 50IRE, AGC-Gain: 45dB, ICR-ON)	
Ambient operating temperature	- 10°C - + 50°C (14°F - 122°F)	
Operating humidity	0% - 90%	
Dimension	245 mm (H) x 155 mm (D)	
Weight	2300 g	
Pan & tilt		
Panning range	360° Endless	
Panning mode	Manual , auto , manual position , sequential position	
Panning speed	Manual approx. 0.15°/s - 120°/s 8 Steps, Preset approx. 1°/s - 255°/s, Alarm Trigger Speed 360°/s	
Tilting range	- 6° - + 96°	
Tilting mode	Manual , auto , manual position , sequential position	
Tilting speed	Manual approx. 0.15°/s - 120°/s 8 Steps, Preset approx. 1°/s - 255°/s, Alarm Trigger Speed 360°/s	
Lens		
Zoom ratio	20x Optical zoom	
Focal length	4.7 mm (WIDE) to 94.0 mm (TELE)	
Minimum aperture ratio	1 : 1.6 (Wide) - 3.5 (Tele)	
Minimum object distance	10 mm (WIDE end), 1.0m (TELE end)	
Iris range	F1.6 - 36.2 , Close	
Angle field of view	Approx. 59.6 degrees (WIDE end), approx. 3.2 degrees (TELE end), (1080P mode)	
Main functions		
Control function	Pan and Tilt / Zoom and Focus / Iris and ICR / 128 Preset Position / Home Position	
Digital zoom ratio	12X	
Zoom speed	Slow / MID. / Fast Selectable [Fast : Approx. 5.0 Second (Tele to Wide) in Manual Mode]	
Focus speed	Slow / MID. / Fast Selectable [Fast : Approx. 5.0 Second (Far to Near) in Manual Mode]	
Auto focus	Auto / Manual	
Iris	Auto / Manual	
Day & Night	Day / Night / Auto	
Electronic shutter speed	1/1 to 1/30,000	
Exposure mode	Auto / Manual	
Back light compensation	OFF / ON	
Wide Dynamic Range	OFF / ON	
Sharpness	Adjustable	
White balance	ATW / Manual (1700K - 11000K)	
Auto gain control	0 - 45dB	
Digital noise reduction	OFF / ON (LEVEL=1 - 3)	
Auto mode	OFF / AUTO / SEQ / TOUR / PATROL	
Dynamic privacy zone mask	OFF / ON (Up to 8 area)	
Digital effect	OFF / Mirror / Flip	
Alarm input / output	6 Input (TTL 5Vdc) , 2 Output (0.5A 120Vac, 1A 24Vac)	
Schedule setting	OFF / Auto mode / Preset Position	

Network		
Video compression	H.264, Motion JPEG	
Resolution	1080P(1920 x 1080), 720P(1280 x 720), D1(720 x 480), CIF(352 x 240)	
Multiple profile	Profile #1	H.264 : up to 30 FPS @ 1920 x 1080 , MJPEG : up to 30 FPS @ 720 x 480
	Profile #2	H.264 : up to 30 FPS @ 1280 x 720 , MJPEG : up to 30 FPS @ 352 x 240
	Profile #3	H.264 : up to 30 FPS @ 1920 x 1080 , MJPEG : up to 30 FPS @ 1280 x 720
	Profile #4	H.264 : up to 30 FPS @ 720 x 480 , MJPEG : up to 15 FPS @ 1920 x 1080
Video streaming	RTP/HTTP, RTP/TCP, RTP/UDP, Multicast	
Video bitrate	128 Kbps to 5 Mbps	
	Frame rate and bitrate controllable on-the-fly VBR / CBR / GOP supported	
Security	Base64 HTTP encryption	
	Multiple user access levels with password protection 10 user accounts available	
Users	8 simultaneous users	
OSD	Text overlay for date, time, and camera name	
Alarm function	Image upload over FTP and E-mail by alarm / motion detection	
CPU, memory	Embedded SoC ARM11, 528MHz, 256MB DDR2, 256MB flash memory	
Web PTZ control	Pan , tilt , zoom in / out , absolute position, and video-click-n-move	
PTZ preset scheduling	Yes, via web interface	
Maintenance	Firmware update via HTTP	
	Firmware available at web site	
Network interface	10Mbps / 100Mbps , RJ-45	
Client pc requirement	OS : Windows 2000 , Windows XP , Windows Vista, Windows 7	
	Browser : Windows Internet Explorer 6.0 or above	
	CPU : intel pentium 4 1.8GHz or above	
	RAM : 1GB or above, Independent Display Card	
Network protocols	IP, TCP, UDP, HTTP, SMTP, NTP, DDNS, UPnP, FTP, ARP, DHCP, PPPoE, DNS, Telnet, RTSP, RTCP, ONVIF Profile S ,ICMP, IGMP	
Mobile phone	iPhone, iPad, and Android support	
System integration	ONVIF & LILIN HTTPAPI	
Central management system	CMX 3.6 / NAV 1.0 support	
Video display	LILIN Universal ActiveX & LILIN Java Applet	
OS	Embedded Linux 2.6.32	
Two-way audio	G.711	
SD card recording	Support Micro SD/SDHC/SDXC card for circular recording (card is not included)	



20X DAY & NIGHT 1080P HD WDR PTZ DOME IP CAMERA (INDOOR)



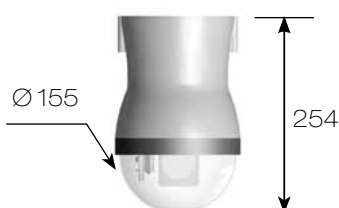
The IPS5200E is Day & Night 1080P HD WDR PTZ Dome IP Camera that in compliance with LILIN's already established HD PTZ series of cameras. The camera can be powered through High Power over Ethernet, which complies with the PoE standard IEEE 802.3at. The high-speed domes are capable of streaming HD video at up to 30 FPS. Featuring LILIN's Wide dynamic Range (WDR) feature, the IPS5200E captures highlights and shadows simultaneously, eliminating pixilation and smear. Combine this with Digital noise reduction technology and adaptive tone reproduction and the contrast of images in bright or dark areas is dramatically improved. Capable of making 360° continuous rotations, users can accurately position the camera to identify specific targets.

FEATURES :

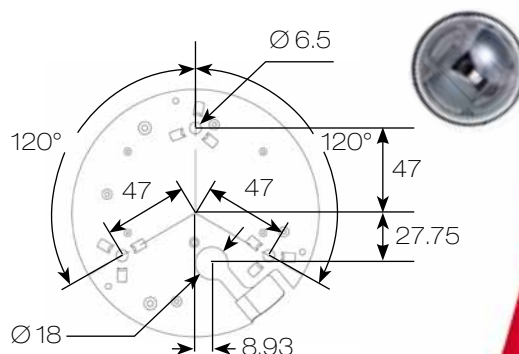
- 20X Optical zoom Lens(4.7 – 94mm)
- 12X Digital zoom
- Full HD 2.38 megapixel CMOS image sensor
- True H.264 AVC/MPEG-4 part 10 real-time Video compression
- H.264 and Motion JPEG multi-profile Video streaming
- Wide dynamic range
- Digital noise reduction
- Dynamic privacy zone mask
- Day & Night (IR cut removable)
- Up to 128 Programmable Preset Positions
- 2-way audio supported
- ONVIF supported

DIMENSIONS : (Unit : mm)

Ø 155 x 245



INSTALLATION HOLE SITE DIAGRAM :



SPECIFICATION :

Name	20X Day & Night 1080P HD WDR PTZ Dome IP Camera (Indoor)	
Model	IPS5200E	
Power consumption	PoE+ 14W	
Image pick-up device	1/2.8 Type CMOS Sensor	
Effective pixels	1944 (H) x 1224 (V) = 2,379,456 (pixels)	
Total number of pixel	1952 (H) x 1236 (V) = 2,412,692 (pixels)	
Scanning system	Progressive scan	
Video output	CVBS 1.0 Vp-p / 75 Ω BNC	
Minimum illumination	0.4 Lux (1/30 sec, F1.6(wide), 50IRE, AGC-Gain: 45dB, ICR-OFF)	
	0.1 Lux (1/8 sec, F1.6(wide), 50IRE, AGC-Gain: 45dB, ICR-OFF)	
	0.01 Lux (1/8 sec, F1.6(wide), 50IRE, AGC-Gain: 45dB, ICR-ON)	
Ambient operating temperature	-10°C - +50°C (14°F - 122°F)	
Operating humidity	0% - 90%	
Dimension	245 mm (H) x 155 mm (D)	
Weight	2300 g	
Pan & tilt		
Panning range	360° Endless	
Panning mode	Manual , auto , manual position , sequential position	
Panning speed	Manual approx. 0.15°/s - 120°/s 8 Steps, Preset approx. 1°/s - 255°/s, Alarm Trigger Speed 360°/s	
Tilting range	- 6° - + 96°	
Tilting mode	Manual , auto , manual position , sequential position	
Tilting speed	Manual approx. 0.15°/s - 120°/s 8 Steps, Preset approx. 1°/s - 255°/s, Alarm Trigger Speed 360°/s	
Lens		
Zoom ratio	20x Optical zoom	
Focal length	4.7 mm (WIDE) to 94.0 mm(TELE)	
Minimum aperture ratio	1 : 1.6 (Wide) - 3.5 (Tele)	
Minimum object distance	10 mm (WIDE end), 1.0m (TELE end)	
Iris range	F1.6 - 36.2 , Close	
Angle field of view	Approx. 59.6 degrees (WIDE end), approx. 3.2 degrees (TELE end), (1080P mode)	
Main functions		
Control function	Pan and Tilt / Zoom and Focus / Iris and ICR / 128 Preset Position / Home Position	
Digital zoom ratio	12X	
Zoom speed	Slow / MID. / Fast Selectable [Fast : Approx. 5.0 Second (Tele to Wide) in Manual Mode]	
Focus speed	Slow / MID. / Fast Selectable [Fast : Approx. 5.0 Second (Far to Near) in Manual Mode]	
Auto focus	Auto / Manual	
Iris	Auto / Manual	
Day & Night	Day / Night / Auto	
Electronic shutter speed	1/1 to 1/30,000	
Exposure mode	Auto / Manual	
Back light compensation	OFF / ON	
Wide Dynamic Range	OFF / ON	
Sharpness	Adjustable	
White balance	ATW / Manual (1700K - 11000K)	
Auto gain control	0 - 45dB	
Digital noise reduction	OFF / ON (LEVEL=1 - 3)	
Auto mode	OFF / AUTO / SEQ / TOUR / PATROL	
Dynamic privacy zone mask	OFF / ON (Up to 8 area)	
Digital effect	OFF / Mirror / Flip	
Alarm input / output	6 Input (TTL 5Vdc) , 2 Output (0.5A 120Vac,1A 24Vac)	
Schedule setting	OFF / Auto mode / Preset Position	
Network		
Video compression	H.264, Motion JPEG	
Resolution	1080P(1920 x 1080), 720P(1280 x 720), D1(720 x 480), CIF(352 x 240)	
Multiple profile	Profile #1	H.264 : up to 30 FPS @ 1920 x 1080 , MJPEG : up to 30 FPS @ 720 x 480
	Profile #2	H.264 : up to 30 FPS @ 1280 x 720 , MJPEG : up to 30 FPS @ 352 x 240
	Profile #3	H.264 : up to 30 FPS @ 1920 x 1080 , MJPEG : up to 30 FPS @ 1280 x 720
	Profile #4	H.264 : up to 30 FPS @ 720 x 480 , MJPEG : up to 15 FPS @ 1920 x 1080
Frame rate	H.264 : up to 30 FPS at 1080P(1920 x 1080) Motion JPEG : up to 30 FPS at D1(720 x 480)	
Video streaming	RTP/HTTP, RTP/TCP, RTP/UDP, Multicast	
Video bitrate	128 Kbps to 5 Mbps	
	Frame rate and bitrate controllable on-the-fly	
	VBR / CBR / GOP supported	
Security	Base64 HTTP encryption	
	Multiple user access levels with password protection	
	10 user accounts available	
Users	8 simultaneous users	
OSD	Text overlay for date, time, and camera name	
Alarm function	Image upload over FTP and E-mail by alarm / motion detection	
CPU, memory	Embedded SoC ARM11, 528MHz, 256MB DDR2, 256MB flash memory	
Web PTZ control	Pan , tilt , zoom in / out , absolute position, and video-click-n-move	
PTZ preset scheduling	Yes, via web interface	
Maintenance	Firmware update via HTTP	
	Firmware available at web site	
Network interface	10Mbps / 100Mbps , RJ-45	
Client pc requirement	OS : Windows 2000 , Windows XP , Windows Vista, Windows 7	
	Browser : Windows Internet Explorer 6.0 or above	
	CPU : intel pentium 4 1.8GHz or above RAM : 1GB or above, Independent Display Card	
Network protocols	IP, TCP, UDP, HTTP, SMTP, NTP, DDNS, UPnP, FTP, ARP, DHCP, PPPoE, DNS, Telnet, RTSP,RTCP, ONVIF Profile S ,ICMP, IGMP	
Mobile phone	iPhone, iPad, and Android support	
System integration	ONVIF & LILIN HTTP API	
Central management system	CMX 3.6 / NAV 1.0 support	
Video display	LILIN Universal ActiveX & LILIN Java Applet	
OS	Embedded Linux 2.6.32	
Two-way audio	G.711	
SD card recording	Support Micro SD/SDHC/SDXC card for circular recording (card is not included)	





The IPS4204E / IPS4208E is outdoor fitted Day & Night 1080P HD WDR PTZ Dome IP Camera that in compliance with LILIN's already established HD PTZ series of cameras. The camera can be powered through High Power over Ethernet, which complies with the PoE standard IEEE 802.3at. The high-speed domes are capable of streaming HD video at up to 30 FPS. Featuring LILIN's Wide dynamic Range (WDR) feature, the IPS4204E / IPS4208E captures highlights and shadows simultaneously, eliminating pixilation and smear. Combine this with Digital noise reduction technology and adaptive tone reproduction and the contrast of images in bright or dark areas is dramatically improved. Capable of making 360° continuous rotations, users can accurately position the camera to identify specific targets.

FEATURES :

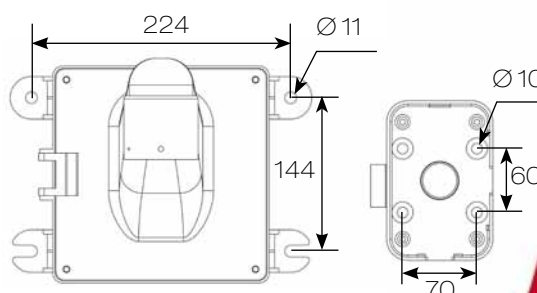
- 20X Optical zoom Lens(4.7 – 94mm)
- 12X Digital zoom
- Full HD 2.38 megapixel CMOS image sensor
- True H.264 AVC/MPEG-4 part 10 real-time Video compression
- H.264 and Motion JPEG multi-profile Video streaming
- Wide dynamic range
- Digital noise reduction
- Dynamic privacy zone mask
- Day & Night (IR cut removable)
- 2-way audio supported
- ONVIF supported
- Weatherproof IP66

DIMENSIONS : (Unit : mm)

Ø 210 x 332



INSTALLATION HOLE SITE DIAGRAM :



SPECIFICATION :

Name	20X Day & Night 1080P HD WDR PTZ Dome IP Camera (Outdoor)	
Model	IPS4204E	IPS4208E
Power supply	AC24V / PoE+ (IEEE 802.3at compliant)	AC100 - 240V / PoE+ 14W (does not support the heater)
Power consumption	37W (with Heater) / PoE+ 14W (does not support the heater)	48W (with Heater) / PoE+ 14W (does not support the heater)
Image pick-up device	1/2.8 Type CMOS Sensor	
Effective pixels	1944 (H) x 1224 (V) = 2,379,456 (pixels)	
Total number of pixel	1952 (H) x 1236 (V) = 2,412,692 (pixels)	
Scanning system	Progressive scan	
Video output	CVBS 1.0 Vp-p / 75 Ω BNC	
Minimum illumination	0.4 Lux (1/30 sec, F1.6(wide), 50IRE, AGC-Gain: 45dB, ICR-OFF)	
	0.1 Lux (1/8 sec, F1.6(wide), 50IRE, AGC-Gain: 45dB, ICR-OFF)	
	0.01 Lux (1/8 sec, F1.6(wide), 50IRE, AGC-Gain: 45dB, ICR-ON)	
IP rating	IP66	
Ambient operating temperature	-10°C - + 50°C (14°F - 122°F) / PoE+ - 40°C - + 50°C (-40°F - 122°F) / AC	
Operating humidity	0% - 90%	
Dimension	332 mm (H) x 210 mm (V)	
Weight	3200 g	
Heater activation	On: 15°C, Off: 25°C	
Fan activation	On: 35°C, Off: 25°C	
Pan & tilt		
Panning range	360° Endless	
Panning mode	Manual, auto, manual position , sequential position	
Panning speed	Manual approx. 0.15°/s - 120°/s 8 Steps, Preset approx. 1°/s - 255°/s, Alarm Trigger Speed 360°/s	
Tilting range	- 6° - + 96°	
Tilting mode	Manual, auto, manual position , sequential position	
Tilting speed	Manual approx. 0.15°/s - 120°/s 8 Steps, Preset approx. 1°/s - 255°/s, Alarm Trigger Speed 360°/s	
Lens		
Zoom ratio	20x Optical zoom	
Focal length	4.7 mm (WIDE) to 94.0 mm(TELE)	
Minimum aperture ratio	1 : 1.6 (Wide) - 3.5 (Tele)	
Minimum object distance	10 mm (WIDE end), 1.0m (TELE end)	
Iris range	F1.6 - 36.2 , Close	
Angle field of view	Approx. 59.6 degrees (WIDE end), approx. 3.2 degrees (TELE end), (1080P mode)	
Control function	Pan and Tilt / Zoom and Focus / Iris and ICR / 128 Preset Position / Home Position	
Digital zoom ratio	12X	
Zoom speed	Slow / MID. / Fast Selectable [Fast : Approx. 5.0 Second (Tele to Wide) in Manual Mode]	
Focus speed	Slow / MID. / Fast Selectable [Fast : Approx. 5.0 Second (Far to Near) in Manual Mode]	
Auto focus	Auto / Manual	
Iris	Auto / Manual	
Day & Night	Day / Night / Auto	
Electronic shutter speed	1/1 to 1/30,000	
Exposure mode	Auto / Manual	
Back light compensation	OFF / ON	
Wide Dynamic Range	OFF / ON	
Sharpness	Adjustable	
White balance	ATW / Manual (1700K - 11000K)	
Auto gain control	0 - 45dB	
Digital noise reduction	OFF / ON (LEVEL=1 - 3)	
Auto mode	OFF / AUTO / SEQ / TOUR / PATROL	
Dynamic privacy zone mask	OFF / ON (Up to 8 area)	
Digital effect	OFF / Mirror / Flip	
Alarm input / output	6 Input (TTL 5Vdc), 2 Output (0.5A 120Vac,1A 24Vac)	
Schedule setting	OFF / Auto mode / Preset Position	

Network		
Video compression	H.264, Motion JPEG	
Resolution	1080P(1920 x 1080), 720P(1280 x 720), D1(720 x 480), CIF(352 x 240)	
Multiple	Profile #1	H.264 : up to 30 FPS @ 1920 x 1080 , MJPEG : up to 30 FPS @ 720 x 480
	profile #2	H.264 : up to 30 FPS @ 1280 x 720 , MJPEG : up to 30 FPS @ 352 x 240
	Profile #3	H.264 : up to 30 FPS @ 1920 x 1080 , MJPEG : up to 30 FPS @ 1280 x 720
	Profile #4	H.264 : up to 30 FPS @ 720 x 480 , MJPEG : up to 15 FPS @ 1920 x 1080
Frame rate	H.264 : up to 30 FPS at 1080P(1920 x 1080) Motion JPEG : up to 30 FPS at D1(720 x 480)	
Video streaming	RTP/HTTP, RTP/TCP, RTP/UDP, Multicast	
Video bitrate	128 Kbps to 5 Mbps Frame rate and bitrate controllable on-the-fly VBR / CBR / GOP supported	
Security	Base64 HTTP encryption Multiple user access levels with password protection 10 user accounts available	
Users	8 simultaneous users	
OSD	Text overlay for date, time, and camera name	
Alarm function	Image upload over FTP and E-mail by alarm / motion detection	
CPU, memory	Embedded SoC ARM11, 528MHz, 256MB DDR2, 256MB flash memory	
Web PTZ control	Pan , tilt , zoom in / out , absolute position, and video-click-n-move	
PTZ preset scheduling	Yes, via web interface	
Maintenance	Firmware update via HTTP Firmware available at web site	
Network interface	10Mbps / 100Mbps , RJ-45	
Client pc requirement	OS : Windows 2000 , Windows XP, Windows Vista, Windows 7	
	Browser : Windows Internet Explorer 6.0 or above CPU : intel pentium 4 1.8GHz or above RAM : 1GB or above, Independent Display Card	
Network protocols	IP, TCP, UDP, HTTP, SMTP, NTP, DDNS, UPnP, FTP, ARP, DHCP, PPPoE, DNS, Telnet, RTSP, RTCP, ONVIF Profile S, ICMP, IGMP	
Mobile phone	iPhone, iPad, and Android support	
System integration	ONVIF & LILIN HTTP API	
Central management system	CMX 3.6 / NAV 1.0 support	
Video display	LILIN Universal ActiveX & LILIN Java Applet	
OS	Embedded Linux 2.6.32	
Two-way audio	G.711	
SD card recording	Support Micro SD/SDHC/SDXC card for circular recording (card is not included)	





IPS5184 / IPS5188

18X DAY & NIGHT 1080P HD WDR PTZ DOME IP CAMERA (INDOOR)



The IPS5184 / IPS5188 is 1080P HD IP PTZ Dome camera. The high-speed dome is capable of streaming HD video at up to 30 FPS. Featuring LILIN's Wide dynamic Range (WDR) feature, the IPS5184 / IPS5188 captures highlights and shadows simultaneously, eliminating pixilation and smear. Combine this with 3D Noise Reduction technology and adaptive tone reproduction and the contrast of images in bright or dark areas is dramatically improved. Capable of making 360° continuous rotations, users can accurately position the camera to identify specific targets. The 18x optical zoom gives the IPS5184 / IPS5188 an impressive range. With a focal length of 4.7 – 84.6mm and a compact design, the IPS5184 / IPS5188 is ideal for numerous applications.

FEATURES :

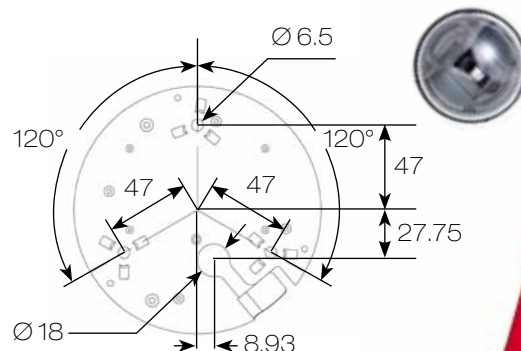
- 18X Optical zoom Lens(4.7 – 84.6mm)
- HD 3 megapixel CMOS image sensor
- True H.264 AVC/MPEG-4 part 10 real-time Video compression
- H.264 and Motion JPEG multi-profile Video streaming
- Wide dynamic range / Digital noise reduction
- Sens. Up Function
- Dynamic privacy zone mask
- 2-way audio supported
- ONVIF supported
- 256X Sens.Up
- Up to 128 Programmable Preset Positions
- 2-way audio supported
- ONVIF supported

DIMENSIONS : (Unit : mm)

Ø 155 x 245



INSTALLATION HOLE SITE DIAGRAM :



SPECIFICATION :

Name	18X Day & Night 1080P HD WDR PTZ Dome IP Camera (Indoor)	
Model	IPS5184	IPS5188
Power supply	AC24V	AC100 - 240V
Power consumption	15.5W	16W
Image pick-up device	1/2.8 Type Exmor CMOS Sensor	
Effective pixels	2096 (H) x 1561 (V) = 3,269,760 (pixels)	
Total number of pixel	2144 (H) x 1588 (V) = 3,404,672 (pixels)	
Scanning system	Progressive scan	
Video output	CVBS 1.0 Vp-p / 75 Ω BNC	
Minimum illumination	0.1 lux (F1.6, 50IRE)	
Ambient operating temperature	- 10°C - + 50°C (14°F - 122°F)	
Operating humidity	0% - 90%	
Dimension	245 mm (H) x 155 mm (D)	
Weight	2300 g	
Pan & tilt		
Panning range	360° Endless	
Panning mode	Manual , auto , manual position , sequential position	
Panning speed	Manual approx. 0.15°/s - 120°/s 8 Steps, Preset approx. 1°/s - 255°/s, Alarm Trigger Speed 360°/s	
Tilting range	- 6° - + 96°	
Tilting mode	Manual , auto , manual position , sequential position	
Tilting speed	Manual approx. 0.15°/s - 120°/s 8 Steps, Preset approx. 1°/s - 255°/s, Alarm Trigger Speed 360°/s	
Lens		
Zoom ratio	18X Optical zoom	
Focal length	4.7 mm (WIDE) to 84.6.0 mm(TELE)	
Minimum aperture ratio	1 : 1.6 (Wide) - 3.5 (Tele)	
Minimum object distance	10 cm (WIDE end), 1.5m (TELE end)	
Iris range	F1.6 - 360 , Close	
Angle field of view	54.1 degrees (WIDE end), approx. 3.2 degrees (TELE end), (1080P mode)	
Main functions		
Control function	Pan and Tilt / Zoom and Focus / Iris and ICR / 128 Preset Position / Home Position	
Zoom speed	Slow / MID. / Fast Selectable [Fast : Approx. 5.0 Second(Tele to Wide) in Manual Mode]	
Focus speed	Slow / MID. / Fast Selectable [Fast : Approx. 5.0 Second (Far to Near) in Manual Mode]	
Auto focus	Auto / One Push Focus	
Iris	Auto / Manual	
Day & Night	Day / Night / Auto / Schedule	
Sense up (Slow shutter)	OFF / ON	
Electronic shutter speed	1/1 to 1/10,000	
Exposure mode	Auto / Manual	
Back light compensation	OFF / ON	
Digital Wide dynamic range (atr)	OFF / ON	
Sharpness	Adjustable	
White balance	ATW / AWC / Manual (1700K - 11000K)	
Auto gain control	0 - 28dB (12 Step)	
Digital noise reduction	(2D) OFF / LEVEL=1 - 5	
Auto mode	OFF / AUTO / SEQ / TOUR	
Dynamic privacy zone mask	OFF / ON (Up to 14 area)	
Digital effect	OFF / Mirror	
Alarm input / output	6 Input (TTL 5Vdc) , 2 Output (0.5A 120Vac,1A 24Vac)	
Schedule setting	OFF / Auto mode / Preset Position	
Network		
Video compression	H.264, Motion JPEG	
Resolution	1080P(1920 x 1080), 720P(1280 x 720), D1(720 x 480), CIF(352 x 240)	
Frame rate	H.264 : up to 30 FPS at 1080P(1920 x 1080) Motion JPEG : up to 30 FPS at D1(720 x 480)	
Video streaming	RTP/HTTP, RTP/TCP, RTP/UDP, Multicast	
Video bitrate	128 Kbps to 5 Mbps Frame rate and bitrate controllable on-the-fly VBR / CBR / GOP supported Base64 HTTP encryption	
Security	Multiple user access levels with password protection 10 user accounts available	
Users	8 simultaneous users	
OSD	Text overlay for date, time, and camera name	
Alarm function	Image upload over FTP and E-mail by alarm / motion detection	
CPU, memory	Embedded SoC ARM11, 528MHz, 256MB DDR2, 256MB flash memory	
Web PTZ control	Pan , tilt , zoom in / out , absolute position, and video-click-n-move	
PTZ preset scheduling	Yes, via web interface	
Maintenance	Firmware update via HTTP Firmware available at web site	
Network interface	10Mbps / 100Mbps , RJ-45	
Client pc requirement	OS : Windows 2000 , Windows XP , Windows Vista, Windows 7 Browser : Windows Internet Explorer 6, 7, 8 CPU : intel pentium 4 1.8GHz or above RAM : 1GB or above, Independent Display Card	
Network protocols	IP, TCP, UDP, HTTP, SMTP, NTP, DDNS, UPnP, FTP, ARP, DHCP, PPPoE, DNS, Telnet, RTSP, RTCP, ONVIF Profile S, ICMP, IGMP	
Mobile phone	iPhone, iPad, and Android support	
System integration	ONVIF & LILIN HTTPAPI	
Central management system	CMX 3.6 / NAV 1.0 support	
Video display	LILIN Universal ActiveX & LILIN Java Applet	
OS	Embedded Linux 2.6.32	
Two-way audio	G.711	
SD card recording	Support Micro SD/SDHC/SDXC card for circular recording (card is not included)	





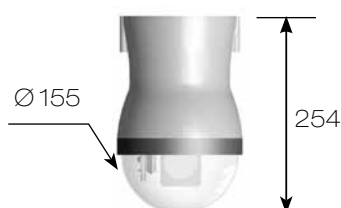
The IPS5180E is indoor fitted 18X Day & Night 1080P HD WDR PTZ Dome IP Camera that in compliance with LILIN's already established HD PTZ series of cameras. The camera can be powered through High Power over Ethernet, which complies with the PoE standard IEEE 802.3at. The high-speed domes are capable of streaming HD video at up to 30 FPS. Featuring LILIN's Wide dynamic Range (WDR) feature, the IPS5180E captures highlights and shadows simultaneously, eliminating pixilation and smear. Combine this with Digital noise reduction technology and adaptive tone reproduction and the contrast of images in bright or dark areas is dramatically improved. Capable of making 360° continuous rotations, users can accurately position the camera to identify specific targets.

FEATURES :

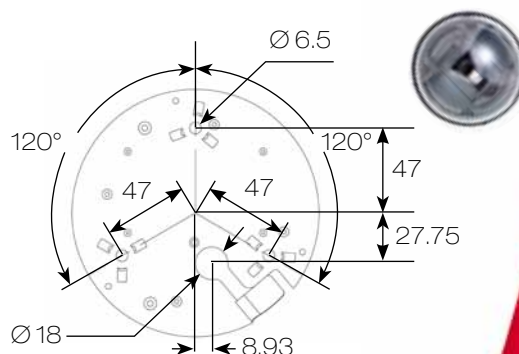
- 18X Optical zoom Lens(4.7 – 84.6mm)
- HD 3 megapixel CMOS image sensor
- True H.264 AVC/MPEG-4 part 10 real-time Video compression
- H.264 and Motion JPEG multi-profile Video streaming
- Wide dynamic range / Digital noise reduction
- Sens. Up Function
- Dynamic privacy zone mask
- 2-way audio supported
- ONVIF supported
- 256X Sens.Up
- Up to 128 Programmable Preset Positions
- 2-way audio supported
- ONVIF supported

DIMENSIONS : (Unit : mm)

Ø 155 x 245



INSTALLATION HOLE SITE DIAGRAM :



SPECIFICATION :

Name	18X Day & Night 1080P HD WDR PTZ Dome IP Camera (Indoor)
Model	IPSS180E
Power consumption	PoE+ 14W
Image pick-up device	1/2.8 Type Exmor CMOS Sensor
Effective pixels	2096 (H) x 1561 (V) = 3,269,760 (pixels)
Total number of pixel	2144 (H) x 1588 (V) = 3,404,672 (pixels)
Scanning system	Progressive scan
Video output	CVBS 1.0 Vp-p / 75 Ω BNC
Minimum illumination	0.1 lux (F1.6, 50IRE)
Ambient operating temperature	-10°C – + 50°C (14°F – 122°F)
Operating humidity	0% – 90%
Dimension	245 mm (H) x 155 mm (D)
Weight	2300 g
Pan & tilt	
Panning range	360° Endless
Panning mode	Manual , auto , manual position , sequential position
Panning speed	Manual approx. 0.15°/s – 120°/s 8 Steps, Preset approx. 1°/s – 255°/s, Alarm Trigger Speed 360°/s
Tilting range	- 6° – + 96°
Tilting mode	Manual , auto , manual position , sequential position
Tilting speed	Manual approx. 0.15°/s – 120°/s 8 Steps, Preset approx. 1°/s – 255°/s, Alarm Trigger Speed 360°/s
Lens	
Zoom ratio	18X Optical zoom
Focal length	4.7 mm (WIDE) to 84.6.0 mm(TELE)
Minimum aperture ratio	1 : 1.6 (Wide) – 3.5 (Tele)
Minimum object distance	10 cm (WIDE end), 1.5m (TELE end)
Iris range	F1.6 – 360 , Close
Angle field of view	54.1 degrees (WIDE end), approx. 3.2 degrees (TELE end), (1080P mode)
Main functions	
Control function	Pan and Tilt / Zoom and Focus / Iris and ICR / 128 Preset Position / Home Position
Zoom speed	Slow / MID. / Fast Selectable [Fast : Approx. 5.0 Second(Tele to Wide) in Manual Mode]
Focus speed	Slow / MID. / Fast Selectable [Fast : Approx. 5.0 Second (Far to Near) in Manual Mode]
Auto focus	Auto / One Push Focus
Iris	Auto / Manual
Day & Night	Day / Night / Auto / Schedule
Sense up (Slow shutter)	OFF / ON
Electronic shutter speed	1/1 to 1/10,000
Exposure mode	Auto / Manual
Back light compensation	OFF / ON
Digital Wide dynamic range (atr)	OFF / ON
Sharpness	Adjustable
White balance	ATW / AWC / Manual (1700K – 11000K)
Auto gain control	0 – 28dB (12 Step)
Digital noise reduction	(2D) OFF / LEVEL=1 – 5
Auto mode	OFF / AUTO / SEQ / TOUR
Dynamic privacy zone mask	OFF / ON (Up to 14 area)
Digital effect	OFF / Mirror
Alarm input / output	6 Input (TTL 5Vdc) , 2 Output (0.5A 120Vac,1A 24Vac)
Schedule setting	OFF / Auto mode / Preset Position

Network	
Video compression	H.264, Motion JPEG
Resolution	1080P(1920 x 1080), 720P(1280 x 720), D1(720 x 480), CIF(352 x 240)
Frame rate	H.264 : up to 30 FPS at 1080P(1920 x 1080) Motion JPEG : up to 30 FPS at D1(720 x 480)
Video streaming	RTP/HTTP, RTP/TCP, RTP/UDP, Multicast
Video bitrate	128 Kbps to 5 Mbps Frame rate and bitrate controllable on-the-fly VBR / CBR / GOP supported
Security	Base64 HTTP encryption Multiple user access levels with password protection 10 user accounts available
Users	8 simultaneous users
OSD	Text overlay for date, time, and camera name
Alarm function	Image upload over FTP and E-mail by alarm / motion detection
CPU, memory	Embedded SoC ARM11, 528MHz, 256MB DDR2, 256MB flash memory
Web PTZ control	Pan , tilt , zoom in / out , absolute position, and video-click-n-move
PTZ preset scheduling	Yes, via web interface
Maintenance	Firmware update via HTTP Firmware available at web site
Network interface	10Mbps / 100Mbps , RJ-45
Client pc requirement	OS : Windows 2000 , Windows XP , Windows Vista, Windows 7 Browser : Windows Internet Explorer 6.0 or above CPU : intel pentium 4 1.8GHz or above RAM : 1GB or above, Independent Display Card
Network protocols	IP, TCP, UDP, HTTP, SMTP, NTP, DDNS, UPnP, FTP, ARP, DHCP, PPPoE, DNS, Telnet, RTSP, RTCP, ONVIF Profile S, ICMP, IGMP
Mobile phone	iPhone, iPad, and Android support
System integration	ONVIF & LILIN HTTPAPI
Central management system	CMX 3.6 / NAV 1.0 support
Video display	LILIN Universal ActiveX & LILIN Java Applet
OS	Embedded Linux 2.6.32
Two-way audio	G.711
SD card recording	Support Micro SD/SDHC/SDXC card for circular recording (card is not included)





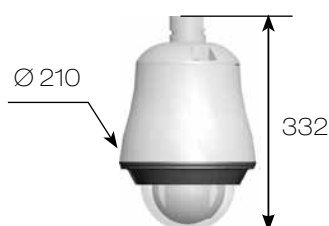
The IPS4184E / IPS4188E is outdoor fitted Day & Night 1080P HD WDR PTZ Dome IP Camera that in compliance with LILIN's already established HD PTZ series of cameras. The camera can be powered through High Power over Ethernet, which complies with the PoE standard IEEE 802.3at. The high-speed domes are capable of streaming HD video at up to 30 FPS. Featuring LILIN's Wide dynamic Range (WDR) feature, the IPS4184E / IPS4188E captures highlights and shadows simultaneously, eliminating pixilation and smear. Combine this with Digital noise reduction technology and adaptive tone reproduction and the contrast of images in bright or dark areas is dramatically improved. Capable of making 360° continuous rotations, users can accurately position the camera to identify specific targets.

FEATURES :

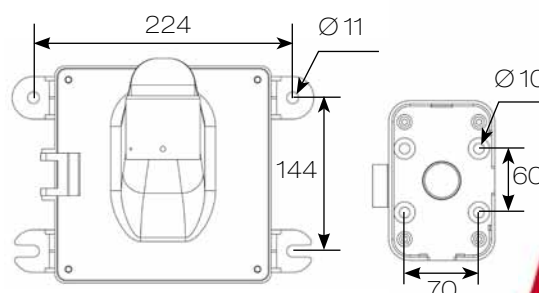
- 18X Optical zoom Lens(4.7 – 84.6mm)
- HD 3 megapixel CMOS image sensor
- True H.264 AVC/MPEG-4 part 10 real-time Video compression
- H.264 and Motion JPEG multi-profile Video streaming
- Wide dynamic range
- Digital noise reduction Function
- Sens. Up Function
- Dynamic privacy zone mask
- 2-way audio supported
- ONVIF supported
- Weatherproof IP 66

DIMENSIONS : (Unit : mm)

Ø 210 x 332



INSTALLATION HOLE SITE DIAGRAM :



SPECIFICATION :

Name	18X Day & Night 1080P HD WDR PTZ Dome IP Camera (Outdoor)	
Model	IPS4184E	IPS4188E
Power supply	AC24V / PoE+ (IEEE 802.3at compliant)	AC100 - 240V / PoE+ 14W(does not support the heater)
Power consumption	37W (with Heater) / PoE+ 14W (does not support the heater)	48W (with Heater) / PoE+ 14W (does not support the heater)
Image pick-up device	1/2.8 Type Exmor CMOS Sensor	
Effective pixels	2096 (H) x 1561 (V) = 3,269,760 (pixels)	
Total number of pixel	2144 (H) x 1588 (V) = 3,404,672 (pixels)	
Scanning system	Progressive scan	
Video output	CVBS 1.0 Vp-p / 75 Ω BNC	
Minimum illumination	0.1 lux (F1.6, 50IRE)	
IP rating	IP66	
Ambient operating temperature	-10°C - + 50°C (14°F - 122°F)	
Operating humidity	0% - 90%	
Dimension	332 mm (H) x 210 mm (V)	
Weight	3200 g	
Heater activation	On: 15°C, Off: 25°C	
Fan activation	On: 35°C, Off: 25°C	
Pan & tilt		
Panning range	360° Endless	
Panning mode	Manual , auto , manual position , sequential position	
Panning speed	Manual approx. 0.15°/s - 120°/s 8 Steps, Preset approx. 1°/s - 255°/s, Alarm Trigger Speed 360°/s	
Tilting range	- 6° - + 96°	
Tilting mode	Manual , auto , manual position , sequential position	
Tilting speed	Manual approx. 0.15°/s - 120°/s 8 Steps, Preset approx. 1°/s - 255°/s, Alarm Trigger Speed 360°/s	
Lens		
Zoom ratio	18X Optical zoom	
Focal length	4.7 mm (WIDE) to 84.6.0 mm(TELE)	
Minimum aperture ratio	1 : 1.6 (Wide) - 3.5 (Tele)	
Minimum object distance	10 cm (WIDE end), 1.5m (TELE end)	
Iris range	F1.6 - 360 , Close	
Angle field of view	54.1 degrees (WIDE end), approx. 3.2 degrees (TELE end), (1080P mode)	
Main functions		
Control function	Pan and Tilt / Zoom and Focus / Iris and ICR / 128 Preset Position / Home Position	
Zoom speed	Slow / MID. / Fast Selectable [Fast : Approx. 5.0 Second(Tele to Wide) in Manual Mode]	
Focus speed	Slow / MID. / Fast Selectable [Fast : Approx. 5.0 Second (Far to Near) in Manual Mode]	
Auto focus	Auto / One Push Focus	
Iris	Auto / Manual	
Day & Night	Day / Night / Auto / Schedule	
Sense up (Slow shutter)	OFF / ON	
Electronic shutter speed	1/1 to 1/10,000	
Exposure mode	Auto / Manual	
Back light compensation	OFF / ON	
Digital Wide dynamic range (atr)	OFF / ON	
Sharpness	Adjustable	
White balance	ATW / AWC / Manual (1700K - 11000K)	
Auto gain control	0 - 28dB (12 Step)	
Digital noise reduction	(2D) OFF / LEVEL=1 - 5	
Dynamic privacy zone mask	OFF / ON (Up to 14 area)	
Digital effect	OFF / Mirror	
Alarm input / output	6 Input (TTL 5Vdc) , 2 Output (0.5A 120Vac,1A 24Vac)	
Schedule setting	OFF / Auto mode / Preset Position	
Auto mode	OFF / AUTO / SEQ / TOUR	

Network	
Video compression	H.264, Motion JPEG
Resolution	1080P(1920 x 1080), 720P(1280 x 720), D1(720 x 480), CIF(352 x 240)
Frame rate	H.264 : up to 30 FPS at 1080P(1920 x 1080) Motion JPEG : up to 30 FPS at D1(720 x 480)
Video streaming	RTP/HTTP, RTP/TCP, RTP/UDP, Multicast
Video bitrate	128 Kbps to 5 Mbps Frame rate and bitrate controllable on-the-fly VBR / CBR / GOP supported
Security	Base64 HTTP encryption Multiple user access levels with password protection 10 user accounts available
Users	8 simultaneous users
OSD	Text overlay for date, time, and camera name
Alarm function	Image upload over FTP and E-mail by alarm / motion detection
CPU, memory	Embedded SoC ARM11, 528MHz, 256MB DDR2, 256MB flash memory
Web PTZ control	Pan , tilt , zoom in / out , absolute position, and video-click-n-move
PTZ preset scheduling	Yes, via web interface
Maintenance	Firmware update via HTTP Firmware available at web site
Network interface	10Mbps / 100Mbps , RJ-45
Client pc requirement	OS : Windows 2000 , Windows XP , Windows Vista, Windows 7 Browser : Windows Internet Explorer 6.0 or above CPU : intel pentium 4 1.8GHz or above RAM : 1GB or above, Independent Display Card
Network protocols	IP, TCP, UDP, HTTP, SMTP, NTP, DDNS, UPnP, FTP, ARP, DHCP, PPPoE, DNS, Telnet, RTSP, RTCP, ONVIF Profile S, IGMP
Mobile phone	iPhone, iPad, and Android support
System integration	ONVIF & LILIN HTTPAPI
Central management system	CMX 3.6 / NAV 1.0 support
Video display	LILIN Universal ActiveX & LILIN Java Applet
OS	Embedded Linux 2.6.32
Two-way audio	G.711
SD card recording	Support Micro SD/SDHC/SDXC card for circular recording (card is not included)





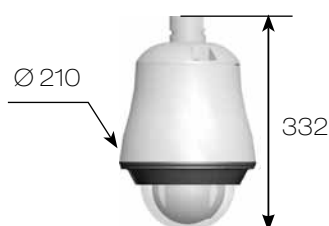
The IPS4304E / IPS4308E is 1080P HD IP PTZ Dome camera. The high-speed dome is capable of streaming HD video at up to 30 FPS. Featuring LILIN's Wide dynamic Range (WDR) feature, the IPS4304E / IPS4308E captures highlights and shadows simultaneously, eliminating pixilation and smear. Combine this with 3D Noise Reduction technology and adaptive tone reproduction and the contrast of images in bright or dark areas is dramatically improved. Capable of making 360° continuous rotations, users can accurately position the camera to identify specific targets. The 30x optical zoom gives the IPS4304E / IPS4308E an impressive range. With a focal length of 4.4mm – 132mm, an IP66 weatherproof rating and a compact design, the IPS4304E / IPS4308E is ideal for numerous applications.

FEATURES :

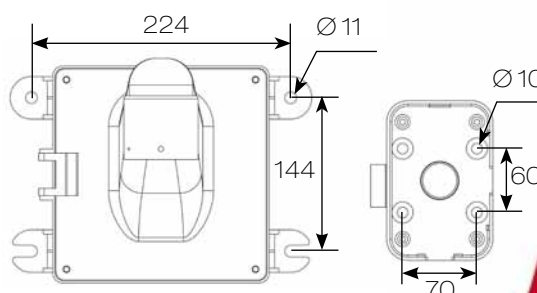
- 30X Optical zoom Lens(4.4 – 132mm)
- 12X Digital zoom
- True H.264 AVC/MPEG-4 part 10 real-time video compression
- H.264 and Motion JPEG multi-profile video streaming
- Full HD 2.1 megapixel CMOS image sensor
- Wide dynamic range
- Digital noise reduction Function
- Dynamic Privacy Zone Mask
- 360° Endless panning
- 2-way audio supported
- iPhone and Android Support
- Weatherproof IP66
- Onvif supported

DIMENSIONS : (Unit : mm)

Ø 210 x 332



INSTALLATION HOLE SITE DIAGRAM :



SPECIFICATION :

Name	30X Day & Night 1080P HD PTZ Dome IP Camera (Outdoor)	
Model	IPS4304E	IPS4308E
Power supply	AC24V / PoE+ (IEEE 802.3at compliant)	AC100 - 240V / PoE+ (IEEE 802.3at compliant)
Power consumption	37W (with Heater) / PoE+ 14W	48W (with Heater) / PoE+ 14W
Image pick-up device	1/3 Type CMOS Sensor	
Effective pixels	1944 (H) x 1092 (V) = 2,122,848 (pixels)	
Total number of pixel	1956 (H) x 1266 (V) = 2,476,296 (pixels)	
Scanning system	Progressive scan	
Video output	CVBS 1.0 Vp-p / 75 Ω BNC	
Minimum illumination	0.4 lux (1/30 sec, F1.4(Wide), 50 IRE, AGC-Gain:45dB ICR-OFF)	
	0.1 lux (1/8 sec, F1.4(Wide), 50 IRE, AGC-Gain:45dB ICR-OFF)	
	0.01 lux (1/8 sec, F1.4(Wide), 50 IRE, AGC-Gain:45dB ICR-ON)	
IP rating	IP66	
Ambient operation temperature	-10°C - + 50°C (14°F - 122°F) / PoE+ - 40°C - + 50°C (-40°F - 122°F) / AC	
Operating humidity	0% - 90%	
Dimensions	332 mm (H) x 210 mm (V)	
Weight	3200g	
Heater activation	On: 15 °C, Off: 25 °C	
Fan activation	On: 35 °C, Off: 25 °C	
Pan & tilt		
Panning range	360° Endless	
Panning mode	Manual , auto , manual position , sequential position	
Panning speed	Manual approx. 0.15°/s - 120°/s 8 Steps, 16 Steps / Preset approx. 1°/s - 255°/s, Alarm Trigger Speed 360°/s	
Tilting range	- 6° - + 96°	
Tilting mode	Manual , auto , manual position , sequential position	
Tilting speed	Manual approx. 0.15°/s - 120°/s 8 Steps, 16 Steps / Preset approx. 1°/s - 255°/s, Alarm Trigger Speed 360°/s	
Lens		
Zoom ratio	30x Optical zoom	
Focal length	4.4 mm (WIDE) to 132.0 mm(TELE)	
Minimum aperture ratio	1 : 1.4 (Wide) - 4.6 (Tele)	
Minimum object distance	10 mm (WIDE end), 1.5m (TELE end)	
Iris range	F1.4 - 32 , Close	
Angle field of view	Approx. 63.4°(H) 38.51°(V) (WIDE end), approx. 2.3°(H) 1.33°(V) (TELE end), (1080p mode)	
Main functions		
Control function	Pan and Tilt / Zoom and Focus / Iris and ICR / 128 Preset Position / Home Position	
Digital zoom ratio	12X	
Zoom speed	Slow / MID. / Fast Selectable [Fast : Approx. 5.0 Second (Tele to Wide) in Manual Mode]	
Focus speed	Slow / MID. / Fast Selectable [Fast : Approx. 5.0 Second (Far to Near) in Manual Mode]	
Focus	Auto / Manual	
Iris	Auto / Manual	
Day & Night	Day / Night / Auto	
Sense up (Slow shutter)	OFF / Auto	
Electric shutter speed	Auto / manual(1/1 to 1/30,000)	
Exposure mode	Auto / Manual	
Back light compensation	OFF / BLC / WDR	
Sharpness	Adjustable	
White balance	ATW / Manual (1800K - 10500K)	
Auto gain control	0 - 45dB	
Digital noise reduce	OFF / ON (2D , 3D)	
Enhanced intensity	OFF / ON / HLC	
Defog	OFF / ON (Defog-1 , Defog-2 , Defog-3 , AUTO)	
Electronic Image Stabilization	OFF / ON (Digital Zoom max 2.0x)	
Auto mode	OFF / AUTO / SEQ / TOUR / PATROL	
Dynamic privacy zone mask	OFF / ON (Up to 16 area)	
Digital effect	OFF / Mirror / Flip	
Alarm input / output	6 Input (TTL 5Vdc) , 2 Output (0.5A 120Vac,1A 24Vac)	
Schedule setting	OFF / AUTO / SEQ / TOUR / PATROL / Preset Position	
NETWORK		
Video compression	H.264, Motion JPEG	
Resolution	1080P(1920 x 1080), 720P(1280 x 720), D1(720 x 480), CIF(352 x 240)	
Multiple profile	Profile #1	H.264 : up to 30 FPS @ 1920 x 1080 , MJPEG : up to 30 FPS @ 720 x 480
	Profile #2	H.264 : up to 30 FPS @ 1280 x 720 , MJPEG : up to 30 FPS @ 352 x 240
	Profile #3	H.264 : up to 30 FPS @ 1920 x 1080 , MJPEG : up to 30 FPS @ 1280 x 720
	Profile #4	H.264 : up to 30 FPS @ 720 x 480 , MJPEG : up to 15 FPS @ 1920 x 1080
Frame rate	H.264 : up to 30 FPS at SXGA(1280 x 1024) Motion JPEG : up to 30 FPS at D1(720 x 480)	
Video streaming	RTP/HTTP, RTP/TCP, RTP/UDP, Multicast	
Video bitrate	128 Kbps to 5 Mbps	
	Frame rate and bitrate controllable on-the-fly VBR / CBR / GOP supported	
Security	Base64 HTTP encryption	
	Multiple user access levels with password protection 10 user accounts available	
Users	8 simultaneous users	
OSD	Text overlay for date, time, and camera name	
Alarm function	Image upload over FTP and E-mail by alarm / motion detection	
CPU, memory	Embedded SoC ARM11, 528MHz, 256MB DDR2, 256MB flash memory	
Web PTZ control	Pan , tilt , zoom in / out , absolute position, and video-click-n-move	
PTZ preset scheduling	Yes, via web interface	
Maintenance	Firmware update via HTTP	
	Firmware available at web site	
Network interface	10Mbps / 100Mbps , RJ-45	
Client pc requirement	OS : Windows 2000, Windows XP, Windows Vista, Windows 7, Windows 8	
	Browser : Windows Internet Explorer 6.0 or above	
	CPU : intel pentium 4 1.8GHz or above	
	RAM : 1GB or above ,Independent Display Card	
Network protocols	IP, TCP, UDP, HTTP, SMTP, NTP, DDNS, UPnP, FTP, ARP, DHCP, PPPoE, DNS, RTSP, RTCP, Telnet, ICMP, IGMP, ONVIF Profile S, SNMP	
Mobile phone	iPhone, iPad, and Android	
System integration	ONVIF & LILIN HTTP API	
Central management system	CMX 3.6 / NAV 1.0 support	
Video display	LILIN Universal ActiveX & LILIN Java Applet	
OS	Embedded Linux 2.6.32	
Two-way audio	G.711	
SD card recording	Support Micro SD/SDHC/SDXC card for circular recording (card is not included)	





The IPS5304 / IPS5308 is 1080P HD PTZ Dome IP Camera. The high-speed dome is capable of streaming HD video at up to 30 FPS. Featuring LILIN's Wide dynamic Range (WDR) feature, the IPS5304 / IPS5308 captures highlights and shadows simultaneously, eliminating pixilation and smear. Combine this with 3D Noise Reduction technology and adaptive tone reproduction and the contrast of images in bright or dark areas is dramatically improved. Capable of making 360° continuous rotations, users can accurately position the camera to identify specific targets. The 30x optical zoom gives the IPS5304 / IPS5308 an impressive range. With a focal length of 4.4mm (WIDE) – 132.0mm (TELE), IPS5304 / IPS5308 is ideal for numerous applications.

FEATURES :

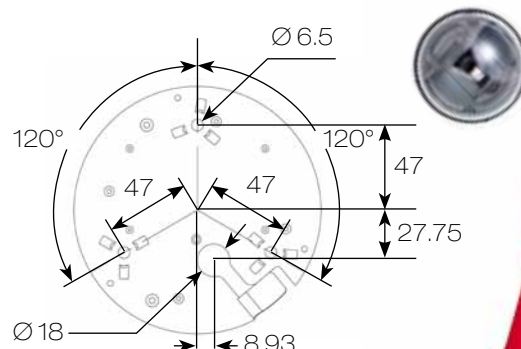
- 30X Optical zoom Lens(4.4 – 132mm)
- Day & Night (IR cut removable)
- 12X Digital zoom
- Full HD 2.1 megapixel CMOS image sensor
- Wide dynamic range
- True H.264 AVC/MPEG-4 part 10 real-time video compression
- H.264 and Motion JPEG multi-profile video streaming
- Digital noise reduction Function
- Dynamic Privacy Zone Mask
- 360° Endless panning
- 2-way audio supported
- iPhone and Android Support
- Onvif supported

DIMENSIONS : (Unit : mm)

Ø 155 x 245



INSTALLATION HOLE SITE DIAGRAM :



SPECIFICATION :

Name	30X Day & Night 1080P HD PTZ Dome IP Camera (Indoor)	
Model	IPS5304	IPS5308
Power supply	AC24V	AC100 - 240V
Power consumption	15.5W	16W
Image pick-up device	1/3 Type CMOS Sensor	
Effective pixels	1944 (H) x 1092 (V) = 2,122,848 (pixels)	
Total number of pixel	1956 (H) x 1266 (V) = 2,476,296 (pixels)	
Scanning system	Progressive scan	
Video output	CVBS 1.0 Vp-p / 75 Ω BNC	
Minimum illumination	0.4 lux (1/30 sec, F1.4(Wide), 50 IRE, AGC-Gain:45dB ICR-OFF)	
	0.1 lux (1/8 sec, F1.4(Wide), 50 IRE, AGC-Gain:45dB ICR-OFF)	
	0.01 lux (1/8 sec, F1.4(Wide), 50 IRE, AGC-Gain:45dB ICR-ON)	
Ambient operation temperature	-10°C - + 50°C (14°F - 122°F)	
Operating humidity	0% - 90%	
Dimensions	245 mm (H) x 155 mm (D)	
Weight	2300 g	
Pan & tilt		
Panning range	360° Endless	
Panning mode	Manual , auto , manual position , sequential position	
Panning speed	Manual approx. 0.15°/s - 120°/s 8 Steps, 16 Steps / Preset approx. 1°/s - 255°/s, Alarm Trigger Speed 360°/s	
Tilting range	- 6° - + 96°	
Tilting mode	Manual , auto , manual position , sequential position	
Tilting speed	Manual approx. 0.15°/s - 120°/s 8 Steps, 16 Steps / Preset approx. 1°/s - 255°/s, Alarm Trigger Speed 360°/s	
Lens		
Zoom ratio	30x Optical zoom	
Focal length	4.4 mm (WIDE) to 132.0 mm(TELE)	
Minimum aperture ratio	1 : 1.4 (Wide) - 4.6 (Tele)	
Minimum object distance	10 mm (WIDE end), 1.5m (TELE end)	
Iris range	F1.4 - 32 , Close	
Angle field of view	Approx. 63.4° (H) 38.51° (V) (WIDE end), approx. 2.3° (H) 1.33° (V) (TELE end), (1080p mode)	
Main functions		
Control function	Pan and Tilt / Zoom and Focus / Iris and ICR / 128 Preset Position / Home Position	
Digital zoom ratio	12X	
Zoom speed	Slow / MID. / Fast Selectable [Fast : Approx. 5.0 Second (Tele to Wide) in Manual Mode]	
Focus speed	Slow / MID. / Fast Selectable [Fast : Approx. 5.0 Second (Far to Near) in Manual Mode]	
Focus	Auto / Manual	
Iris	Auto / Manual	
Day & Night	Day / Night / Auto	
Sense up (Slow shutter)	OFF / Auto	
Electric shutter speed	Auto / manual(1/1 to 1/30,000)	
Exposure mode	Auto / Manual	
Back light compensation	OFF / BLC / WDR	
Sharpness	Adjustable	
White balance	ATW / Manual (1800K - 10500K)	
Auto gain control	0 - 45dB	
Digital noise reduce	OFF / ON (2D , 3D)	
Enhanced Intensity	OFF / ON / HLC	
Defog	OFF / ON (Defog-1 , Defog-2 , Defog-3 , AUTO)	
Electronic Image Stabilization	OFF / ON (Digital Zoom max 2.0x)	
Auto mode	OFF / AUTO / SEQ / TOUR / PATROL	
Dynamic privacy zone mask	OFF / ON (Up to 16 area)	
Digital effect	OFF / Mirror / Flip	
Alarm input / output	6 Input (TTL 5Vdc) , 2 Output (0.5A 120Vac,1A 24Vac)	
Schedule setting	OFF / AUTO / SEQ / TOUR / PATROL / Preset Position	
NETWORK		
Video compression	H.264, Motion JPEG	
Resolution	1080P(1920 x 1080), 720P(1280 x 720), D1(720 x 480), CIF(352 x 240)	
Multiple profile	Profile #1	H.264 : up to 30 FPS @ 1920 x 1080 , MJPEG : up to 30 FPS @ 720 x 480
	Profile #2	H.264 : up to 30 FPS @ 1280 x 720 , MJPEG : up to 30 FPS @ 352 x 240
	Profile #3	H.264 : up to 30 FPS @ 1920 x 1080 , MJPEG : up to 30 FPS @ 1280 x 720
	Profile #4	H.264 : up to 30 FPS @ 720 x 480 , MJPEG : up to 15 FPS @ 1920 x 1080
Frame rate	H.264 : up to 30 FPS at SXGA(1280 x 1024) Motion JPEG : up to 30 FPS at D1(720 x 480)	
Video streaming	RTP/HTTP, RTP/TCP, RTP/UDP, Multicast	
Video bitrate	128 Kbps to 5 Mbps	
	Frame rate and bitrate controllable on-the-fly VBR / CBR / GOP supported	
Security	Base64 HTTP encryption	
	Multiple user access levels with password protection 10 user accounts available	
Users	8 simultaneous users	
OSD	Text overlay for date, time, and camera name	
Alarm function	Image upload over FTP and E-mail by alarm / motion detection	
CPU, memory	Embedded SoC ARM11, 528MHz, 256MB DDR2, 256MB flash memory	
Web PTZ control	Pan , tilt , zoom in / out , absolute position, and video-click-n-move	
PTZ preset scheduling	Yes, via web interface	
Maintenance	Firmware update via HTTP	
	Firmware available at web site	
Network interface	10Mbps / 100Mbps , RJ-45	
Client pc requirement	OS : Windows 2000, Windows XP, Windows Vista, Windows 7, Windows 8	
	Browser : Windows Internet Explorer 6.0 or above	
	CPU : intel pentium 4 1.8GHz or above RAM : 1GB or above, Independent Display Card	
Network protocols	IP, TCP, UDP, HTTP, SMTP, NTP, DDNS, UPnP, FTP, ARP, DHCP, PPPoE, DNS, RTSP, RTPC, Telnet, ICMP, IGMP, ONVIF Profile S, SNMP	
Mobile phone	iPhone, iPad, and Android	
System integration	ONVIF & LILIN HTTP API	
Central management system	CMX 3.6 / NAV 1.0 support	
Video display	LILIN Universal ActiveX & LILIN Java Applet	
OS	Embedded Linux 2.6.32	
Two-way audio	G.711	
SD card recording	Support Micro SD/SDHC/SDXC card for circular recording (card is not included)	





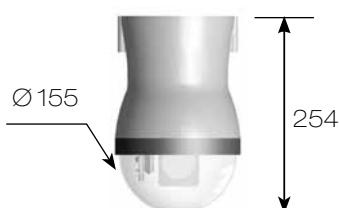
The IPS5300E is 1080P HD IP PTZ Dome camera. The high-speed dome is capable of streaming HD video at up to 30 FPS. Featuring LILIN's Wide dynamic Range (WDR) feature, the IPS5300E captures highlights and shadows simultaneously, eliminating pixilation and smear. Combine this with 3D Noise Reduction technology and adaptive tone reproduction and the contrast of images in bright or dark areas is dramatically improved. Capable of making 360° continuous rotations, users can accurately position the camera to identify specific targets. The 30x optical zoom gives the IPS5300E an impressive range. With a focal length of 4.4mm – 132mm, the IPS5300E is ideal for numerous applications.

FEATURES :

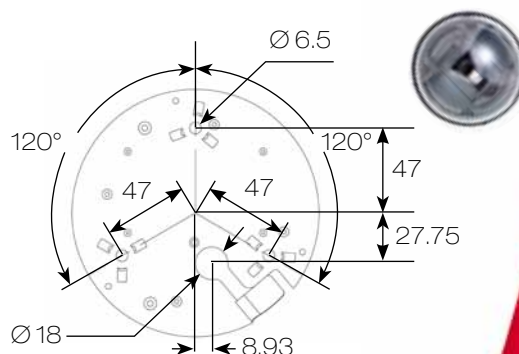
- 30X Optical Zoom Lens(4.4 – 132mm)
- 12X Digital zoom
- Full HD 2.1 megapixel CMOS image sensor
- True H.264 AVC/MPEG-4 part 10 real-time video compression
- H.264 and Motion JPEG multi-profile video streaming
- Wide dynamic Range
- Digital noise reduction
- Sens. Up Function
- Dynamic Privacy Zone Mask
- 360° Endless panning
- 2-way audio supported
- iPhone and Android Support
- Onvif supported

DIMENSIONS : (Unit : mm)

Ø 155 x 245



INSTALLATION HOLE SITE DIAGRAM :



SPECIFICATION :

Name	30X Day & Night 1080P HD PTZ Dome IP Camera (Indoor)	
Model	IPS5300E	
Power consumption	PoE+ 14W	
Image pick-up device	1/3 Type CMOS Sensor	
Effective pixels	1944 (H) x 1092 (V) = 2,122,848 (pixels)	
Total number of pixel	1956 (H) x 1266 (V) = 2,476,296 (pixels)	
Scanning system	Progressive scan	
Video output	CVBS 1.0 Vp-p / 75 Ω BNC	
Minimum illumination	0.4 lux (1/30 sec, F1.4(Wide), 50 IRE, AGC-Gain:45dB ICR-OFF)	
	0.1 lux (1/8 sec, F1.4(Wide), 50 IRE, AGC-Gain:45dB ICR-OFF)	
	0.01 lux (1/8 sec, F1.4(Wide), 50 IRE, AGC-Gain:45dB ICR-ON)	
Ambient operation temperature	-10°C – + 50°C (14°F - 122°F)	
Operating humidity	0% – 90%	
Dimensions	245 mm (H) x 155 mm (D)	
Weight	2300 g	
Pan & tilt		
Panning range	360° Endless	
Panning mode	Manual , auto , manual position , sequential position	
Panning speed	Manual approx. 0.15°/s – 120°/s 8 Steps, 16 Steps / Preset approx. 1°/s – 255°/s, Alarm Trigger Speed 360°/s	
Tilting range	- 6° – + 96°	
Tilting mode	Manual , auto , manual position , sequential position	
Tilting speed	Manual approx. 0.15°/s – 120°/s 8 Steps, 16 Steps / Preset approx. 1°/s – 255°/s, Alarm Trigger Speed 360°/s	
Lens		
Zoom ratio	30x Optical zoom	
Focal length	4.4 mm (WIDE) to 132.0 mm(TELE)	
Minimum aperture ratio	1 : 1.4 (Wide) – 4.6 (Tele)	
Minimum object distance	10 mm (WIDE end), 1.5m (TELE end)	
Iris range	F1.4 – 32 , Close	
Angle field of view	Approx. 63.4°(H) 38.51°(V) (WIDE end), approx. 2.3°(H) 1.33°(V) (TELE end), (1080p mode)	
Main functions		
Control function	Pan and Tilt / Zoom and Focus / Iris and ICR / 128 Preset Position / Home Position	
Digital zoom ratio	12X	
Zoom speed	Slow / MID. / Fast Selectable [Fast : Approx. 5.0 Second (Tele to Wide) in Manual Mode]	
Focus speed	Slow / MID. / Fast Selectable [Fast : Approx. 5.0 Second (Far to Near) in Manual Mode]	
Focus	Auto / Manual	
Iris	Auto / Manual	
Day & Night	Day / Night / Auto	
Sense up (Slow shutter)	OFF / Auto	
Electric shutter speed	Auto / manual(1/1 to 1/30,000)	
Exposure mode	Auto / Manual	
Back light compensation	OFF / BLC / WDR	
Sharpness	Adjustable	
White balance	ATW / Manual (1800K – 10500K)	
Auto gain control	0 – 45dB	
Digital noise reduce	OFF / ON (2D , 3D)	
Enhanced Intensity	OFF / ON / HLC	
Defog	OFF / ON (Defog-1 , Defog-2 , Defog-3 , AUTO)	
Electronic Image Stabilization	OFF / ON (Digital Zoom max 2.0x)	
Auto mode	OFF / AUTO / SEQ / TOUR / PATROL	
Dynamic privacy zone mask	OFF / ON (Up to 16 area)	
Digital effect	OFF / Mirror / Flip	
Alarm input / output	6 Input (TTL 5Vdc) , 2 Output (0.5A 120Vac,1A 24Vac)	
Schedule setting	OFF / AUTO / SEQ / TOUR / PATROL / Preset Position	
NETWORK		
Video compression	H.264, Motion JPEG	
Resolution	1080P(1920 x 1080) , 720P(1280 x 720) , D1(720 x 480) , CIF(352 x 240)	
Multiple profile	Profile #1	H.264 : up to 30 FPS @ 1920 x 1080 , MJPEG : up to 30 FPS @ 720 x 480
	Profile #2	H.264 : up to 30 FPS @ 1280 x 720 , MJPEG : up to 30 FPS @ 352 x 240
	Profile #3	H.264 : up to 30 FPS @ 1920 x 1080 , MJPEG : up to 30 FPS @ 1280 x 720
	Profile #4	H.264 : up to 30 FPS @ 720 x 480 , MJPEG : up to 15 FPS @ 1920 x 1080
Frame rate	H.264 : up to 30 FPS at SXGA(1280 x 1024) Motion JPEG : up to 30 FPS at D1(720 x 480)	
Video streaming	RTP/HTTP, RTP/TCP, RTP/UDP, Multicast	
Video bitrate	128 Kbps to 5 Mbps	
	Frame rate and bitrate controllable on-the-fly VBR / CBR / GOP supported	
Security	Base64 HTTP encryption	
	Multiple user access levels with password protection 10 user accounts available	
Users	8 simultaneous users	
OSD	Text overlay for date, time, and camera name	
Alarm function	Image upload over FTP and E-mail by alarm / motion detection	
CPU, memory	Embedded SoC ARM11, 528MHz, 256MB DDR2, 256MB flash memory	
Web PTZ control	Pan , tilt , zoom in / out , absolute position, and video-click-n-move	
PTZ preset scheduling	Yes, via web interface	
Maintenance	Firmware update via HTTP	
	Firmware available at web site	
Network interface	10Mbps / 100Mbps , RJ-45	
Client pc requirement	OS : Windows 2000, Windows XP, Windows Vista, Windows 7, Windows 8	
	Browser : Windows Internet Explorer 6.0 or above	
	CPU : intel pentium 4 1.8GHz or above RAM : 1GB or above, Independent Display Card	
Network protocols	IP, TCP, UDP, HTTP, SMTP, NTP, DDNS, UPnP, FTP, ARP, DHCP, PPPoE, DNS, RTSP, RTCP, Telnet, ICMP, IGMP, ONVIF Profile S, SNMP	
Mobile phone	iPhone, iPad, and Android	
System integration	ONVIF & LILIN HTTPAPI	
Central management system	CMX 3.6 / NAV 1.0 support	
Video display	LILIN Universal ActiveX & LILIN Java Applet	
OS	Embedded Linux 2.6.32	
Two-way audio	G.711	
SD card recording	Support Micro SD/SDHC/SDXC card for circular recording (card is not included)	





The IPS2102E is 10X Day & Night 1080P HD PTZ Dome IR IP Camera that compliment LILIN's already established HD PTZ series of cameras. The camera can be powered through High Power over Ethernet, which complies with the PoE standard IEEE 802.3at. The high-speed dome is capable of streaming HD video at up to 30 FPS. Featuring LILIN's Wide dynamic Range (WDR) feature, the IPS2102E captures highlights and shadows simultaneously, eliminating pixilation and smear. Combine this with Digital noise reduction technology and adaptive tone reproduction and the contrast of images in bright or dark areas is dramatically improved. Capable of making 360° continuous panning, users can accurately position the camera to identify specific targets

FEATURES :

- 10 Optical zoom Lens (4.9 – 49mm)
- 64X Digital zoom
- High efficiency IR LED, Radiant distance up to 16m
- Wide dynamic range
- Digital noise reduction
- Dynamic Privacy Zone Mask
- Horizontal Flip
- 360° Endless panning
- Up to 128 Programmable Preset Positions
- 2-way audio supported
- iPhone and Android Support
- Onvif Support
- Digital I/O: 1 in, 1 out

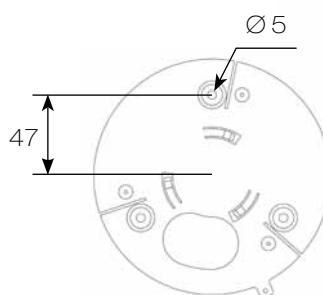
DIMENSIONS : (Unit : mm)

Ø135 x 142

Ø135



INSTALLATION HOLE SITE DIAGRAM :



SPECIFICATION :

Name	10X Day & Night 1080P HD PTZ Dome IR IP Camera (Indoor)	
Model	IPS2102E	
Power supply	DC12V	PoE+
Power consumption	13W	15.5W
Image pick-up element	1/3" MOS Sensor	
Effective pixels	1944(H) x 1092(V) = 2,122,848 Pixels	
Total number of pixel	2010(H) x 1108(V) = 2,227,080 Pixels	
Scanning system	Progressive scan	
Video output	CVBS 1.0 Vp-p / 75 Ω BNC	
Minimum illumination	Color : 0.5 Lux at F1.8 , Mono : 0 Lux (IR ON)	
Ambient operation temperature	-10°C - + 50°C (14°F - 122°F)	
Operating humidity	0% - 90%	
IR led	Peak wavelength	850nm
	Radiant distance	16M
	Beam spread	30°
Dimensions	142 mm (H) x 135 mm (D)	
Weight	1100 g	
Pan & tilt		
Panning range	360° Endless	
Panning mode	Manual , auto , manual position , sequential position	
Panning speed	Manual approx. 0.5 °/s - 90 °/s 8 Steps, Preset approx. 1 °/s - 120 °/s 8 Steps	
Tilting range	0° - 90°	
Tilting mode	Manual , auto , manual position , sequential position	
Tilting speed	Manual approx. 0.5 °/s - 90 °/s 8 Steps, Preset approx. 1 °/s - 120 °/s 8 Steps	
Lens		
Zoom ratio	10X Optical zoom	
Focal length	4.9 mm - 49 mm	
Minimum aperture ratio	1 : 1.8 (Wide) - 3.0 (Tele)	
Minimum object distance	1.0M (Tele)	
Angle field of view	Wide : 57.23°(H) 34.07°(V) , Tele : 6.25°(H) 3.51°(V)	
Control function	Pan and Tilt / Zoom and Focus / Iris and ICR / 128 Preset Position / Home Position	
Digital zoom ratio	64X	
Zoom speed	1 - 15 Selectable [15 : approx. 5.0 second (In to Out) in manual mode]	
Focus speed	1 - 15 Selectable [15 : approx. 5.0 second (Far to Near) in manual mode]	
Focus	Auto (Continue / Zoom Trigger / One Push), Manual Focus	
Iris	F1.8 - F16, Close	
Day & Night	Day / Night / Auto / Schedule	
Electric shutter speed	Auto / Manual(1/30(25) to 1/10,000)	
Sense up (Slow shutter)	OFF / Auto(x30)	
Back light compensation	OFF / HSBC / BLC / WDR	
Sharpness	Adjustable	
White balance	ATW / AWC / Manual (1800K - 10500K)	
Auto gain control	0 - 42 dB	
Digital noise reduction	OFF / ON (2D , 3D)	
Auto mode	OFF / AUTO / SEQ / TOUR / PATROL	
Privacy zone	OFF / ON (Up to 8 Zones Settings)	
Digital effect	OFF / Mirror	
Schedule setting	OFF / Auto mode / Preset Position	
Network		
Video compression	H.264 , Motion JPEG	
Resolution	1080P(1920 x 1080), 720P(1280 x 720), D1(720 x 480), CIF(352 x 240)	
Frame rate	H.264 : up to 30 FPS at 1080P(1920 x 1080) Motion JPEG : Up to 30/25 FPS at Full D1 resolution	
Video streaming	RTP/HTTP, RTP/TCP, RTP/UDP, Multicast	
Video bitrate	128 Kbps to 5 Mbps	
	Frame rate and bitrate controllable on-the-fly VBR / CBR / GOP supported	
Security	Base64 HTTP encryption	
	Multiple user access levels with password protection 10 user accounts available	
Users	8 simultaneous users	
OSD	Text overly for date, time , camera name, and PTZ position	
Alarm function	Image upload over FTP and E-mail by alarm / motion detection	
CPU, memory	Embedded SoC ARM11, 528MHz, 256MB DDR2, 256MB flash memory	
Web PTZ control	Pan, tilt, zoom in / out, absolute position, and video-click-n-move	
PTZ preset scheduling	Yes, via web interface	
Maintenance	Firmware update via HTTP	
	Firmware available at web site	
Network interface	10Mbps/100Mbps, RJ-45	
Client pc requirement	OS: Windows 2000 , Windows XP , Windows Vista, Windows 7	
	Browser: Windows Internet Explore 6 , 7 , 8	
	CPU : intel pentium 4 1.8GHz or above RAM : 1GB or above, Independent Display Card	
Network protocols	IP, TCP, UDP, HTTP, SMTP, NTP, DDNS, UPnP, FTP, ARP, DHCP, PPPoE, DNS, Telnet, RTSP, RTCP, ONVIF Profile S, ICMP, IGMP	
Mobile phone and pda	iPhone, iPad, and Android support	
System integration	ONVIF & LILIN HTTP API	
Central management system	CMX 3.6 / NAV 1.0 support	
Video display	LILIN Universal ActiveX & LILIN Java Applet	
OS	Embedded Linux 2.6.32	
2-Way audio supported	G.711	
SD card recording	Support Micro SD/SDHC card for circular recording (card is not included)	





The IPS3102E is 10X Day & Night 1080P HD PTZ Dome IP Camera. The high-speed dome is capable of streaming HD video at up to 30 FPS. Featuring LILIN's Wide dynamic Range (WDR) feature, the IPS3102E captures highlights and shadows simultaneously, eliminating pixilation and smear. Combine this with Digital Noise Reduction technology and adaptive tone reproduction and the contrast of images in bright or dark areas is dramatically improved.

FEATURES :

- 10 Optical zoom Lens (4.9 – 49mm)
- 64X Digital zoom
- Wide dynamic range
- Digital noise reduction
- Sens. Up Function
- Dynamic Privacy Zone Mask
- Horizontal Flip
- 360° Endless panning
- Up to 128 Programmable Preset Positions
- 2-way audio supported
- iPhone and Android Support
- Onvif Support
- Digital I/O: 1 in, 1 out

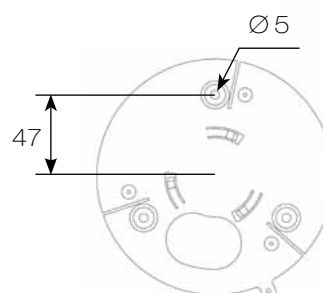
DIMENSIONS : (Unit : mm)

Ø135 x 164

Ø135



INSTALLATION HOLE SITE DIAGRAM :



SPECIFICATION :

Name	10 Day & Night 1080P HD PTZ Dome IP Camera (Indoor)	
Model	IPS3102E	
Power supply	DC12V	PoE+
Power consumption	11.5W	13W
Image pick-up element	1/3" MOS Sensor	
Effective pixels	1944(H) x 1092(V) = 2,122,848 Pixels	
Total number of pixel	2010(H) x 1108(V) = 2,227,080 Pixels	
Scanning system	Progressive scan	
Video output	CVBS 1.0 Vp-p / 75 Ω BNC	
Minimum illumination	Color : 0.5 Lux at F1.8 , Mono : 0.1 Lux at F1.8	
Ambient operation temperature	-10°C - + 50°C (14°F - 122°F)	
Operating humidity	0% - 90%	
Dimensions	164 mm (H) x 135 mm (D)	
Weight	1150 g	
Pan & tilt		
Panning range	360° Endless	
Panning mode	Manual , auto , manual position , sequential position	
Panning speed	Manual approx. 0.5 °/s - 90 °/s 8 Steps, Preset approx. 1 °/s - 120 °/s 8 Steps	
Tilting range	0° - 90°	
Tilting mode	Manual , auto , manual position , sequential position	
Tilting speed	Manual approx. 0.5 °/s - 90 °/s 8 Steps, Preset approx. 1 °/s - 120 °/s 8 Steps	
Lens		
Zoom ratio	10X Optical zoom	
Focal length	4.9 mm - 49 mm	
Minimum aperture ratio	1 : 1.8 (Wide) - 3.0 (Tele)	
Minimum object distance	1.0M (Tele)	
Angle field of view	Wide : 57.23°(H) 34.07°(V) , Tele : 6.25°(H) 3.51°(V)	
Main function		
Control function	Pan and Tilt / Zoom and Focus / Iris and ICR / 128 Preset Position / Home Position	
Digital zoom ratio	64X	
Zoom speed	1 - 15 Selectable [15 : approx. 5.0 second (In to Out) in manual mode]	
Focus speed	1 - 15 Selectable [15 : approx. 5.0 second (Far to Near) in manual mode]	
Focus	Auto (Continue / Zoom Trigger / One Push), Manual Focus	
Iris	F1.8 - F16, Close	
Day & Night	Day / Night / Auto / Schedule	
Electric shutter speed	Auto / Manual(1/30(25) to 1/10,000)	
Sense up (Slow shutter)	OFF / Auto(x30)	
Back light compensation	OFF / HSBC / BLC / WDR	
Sharpness	Adjustable	
White balance	ATW / AWC / Manual (1800K - 10500K)	
Auto gain control	0 - 42 dB	
Digital noise reduction	OFF / ON (2D , 3D)	
Auto mode	OFF / AUTO / SEQ / TOUR / PATROL	
Privacy zone	OFF / ON (Up to 8 Zones Settings)	
Digital effect	OFF / Mirror	
Schedule setting	OFF / Auto mode / Preset Position	

Network		
Video compression	H.264 , Motion JPEG	
Resolution	1080P(1920 x 1080) , 720P(1280 x 720), D1(720 x 480), CIF(352 x 240)	
Frame rate	H.264 : up to 30 FPS at 1080P(1920 x 1080) Motion JPEG : Up to 30/25 FPS at Full D1 resolution	
Video streaming	RTP/HTTP, RTP/TCP, RTP/UDP, Multicast	
Video bitrate	128 Kbps to 5 Mbps	
	Frame rate and bitrate controllable on-the-fly	
	VBR / CBR / GOP supported	
Security	Base64 HTTP encryption	
	Multiple user access levels with password protection	
	10 user accounts available	
Users	8 simultaneous users	
OSD	Text overly for date, time , camera name, and PTZ position	
Alarm function	Image upload over FTP and E-mail by alarm / motion detection	
CPU, memory	Embedded SoC ARM11, 528MHz, 256MB DDR2, 256MB flash memory	
Web PTZ control	Pan , tilt , zoom in / out , absolute position, and video-click-n-move	
PTZ preset scheduling	Yes, via web interface	
Maintenance	Firmware update via HTTP	
	Firmware available at web site	
Network interface	10Mbps/100Mbps, RJ-45	
Client pc requirement	OS: Windows 2000 , Windows XP , Windows Vista, Windows 7	
	Browser: Windows Internet Explore 6 , 7 , 8	
	CPU : intel pentium 4 1.8GHz or above	
Network protocols	RAM : 1GB or above, Independent Display Card	
	IP, TCP, UDP, HTTP, SMTP, NTP, DDNS, UPnP, FTP, ARP, DHCP, PPPoE, DNS, Telnet, RTSP, RTCP, ONVIF Profile S, ICMP, IGMP	
Mobile phone and pda	iPhone, iPad, and Android support	
System integration	Onvif & LILIN HTTP API	
Central management system	CMX 3.6 / NAV 1.0 support	
Video display	LILIN Universal ActiveX & LILIN Java Applet	
OS	Embedded Linux 2.6.32	
2-Way audio supported	G.711	
SD card recording	Support Micro SD/SDHC card for circular recording (card is not included)	





NVR116D / NVR116

1080P REAL-TIME MULTI-TOUCH 16 CHANNEL STANDALONE NVR



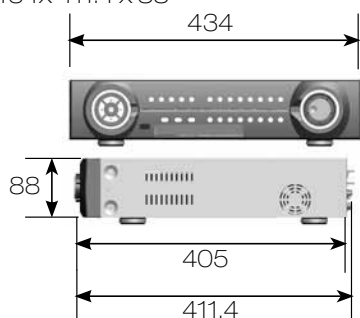
LILIN NVR116 is a 16-Channel IP standalone Network Video Recorder offering 25 frames per second for each channel at a full 1080P resolution. Touch screen, mouse, LILIN twist zoom keyboard or IR remote control, easy to navigate menus, supporting a 8-SATA hard drives. Motion detection, weighted and scheduled recording. Audio recording and playback, WS discovery for easy network discovery. NVR116 supports USB, network backup, and HDMI output. Full NAV support, web-based remote viewing & iPhone, BlackBerry and Android support. The NVR 116 is unique, touch-screen interface takes advantage of highly intuitive smartphone-style features like “pinch-n-zoom,” multi-touch and scrolling, and icon based menus, deliberately avoiding traditional PC-style screens.

FEATURES :

- Multi-touch screen supported
- 1080P 16 channel real-time NVR up to 48 Mbps throughput
- Full HD 1920x1080 HDMI output
- Support 8 SATA HDDs, 1 eSATA
- Mobile phone (iPhone, iPad, Android, and Blackberry) solutions provided.
- Slim DVD/RW or external USB DVD/RW (Optional).
- CMX 3.6 / NAV 1.0 support

DIMENSIONS : (Unit : mm)

434x 411.4 x 88



www.meritlilin.com

SPECIFICATION :

Name	H.264 1080P Real-time Multi-touch Standalone NVR	
Model	NVR116D / NVR116	
IP video supports	D: Internal SATA HDD and built-in Slim DVD/RW -: Internal SATA HDD	
IP video input	Network camera, Network PTZ dome, and video server	
Max Network throughput	Up to 16-channels 1080P	
HDD disk supported	48 Mbps	
External RAID supported	SATA Port x8	
Recording	e-SATA Port x1	
Recording mode	External alarm / motion detection / schedule / manual	
Resolution	1080P/ 720P/ D1/ VGA	
Recording video	1080P/ 720P/ D1/ VGA	
Schedule	7 day x 24 hrs time table, recording mode configurable	
Backup		
Backup	USB 2.0 flash disk / HTTP file download / Audio supported	
DVD/RW	Slim DVD/RW or External USB DVD/RW	
Playback		
Resolution	1080P/ 720P/ D1/ VGA	
Playback video	1080P/ 720P/ D1/ VGA	
Speed	FR: 2X, 4X, 8X,16X, 32X, 64X FF: 2X, 4X, 8X,16X, 32X, 64X	
Video output		
HDMI output	1920 x1080P	
Backlight saving	LCD backlight saving mode	
Multi-touch	Support USB multi-touch screen	
Multiplexer		
Multiplexer	Freeze	
Split screen	4, 8, 9,13,16	
Digital zoom	Up to 64X on live and playback	
Management		
Reports	Full alarm, configuration, and operation reports exporting over HTTP or USB	
Authentication	User authentication with feature configurable	
Recording day	Recording day calculator	
Alarm/event		
Alarm/event	DI x 8 and DOx 2 (NO/NC)	
Motion	Motion grid 20x12 each channel, 8 sensitivities	
Event	External alarm, video loss, stop recording, power recovering, motion detection, schedule, logon, HDD format	
Email	Alarm notification with JPEG attachments	
Accessories		
Accessories	Remote controller addressable up to 255 NVRs	
P/T/Z protocol	Via RS-485 LILIN MLP1/ 2 and Pelco D/ P supported, via network LILIN HTTP/Onvif supported.	
Keyboards	PIH-931D keyboard	
IR receiver	Extra IR extension connector	
RS-485/RS-232	RRS-485 keyboard connector, Input and output x 2, 12V output, RS-485 PTZ output x 1	
Jog & shuttle	FF, FR, step, instant rewind, menu setup	
Mouse	USB, mouse-click, mouse scroll, mouse drag	
Audio out	RCA, 1 output	
Remote control	Yes	
Network ports		
Network ports	Gigabit LAN, RJ45 x1	
Network	Direct Internet browser access / multiple users access	
Protocols	ARP / TCP/IP / UDP / HTTP / SMTP / FTP / DDNS	
Web	Live / event log & time search playback / AVI	
NVR status	HTML NVR status	
IPScan	IP scan supported, automatically quick IP address setup for IP cameras and NVRs	
Software		
Backup manager	Multiple NVRs FTP file download and multi-channel playback	
Mobile phone	iPhone, iPad, Android and Blackberry Mobile phone supported	
Others		
WDT	Hardware watchdog timer	
DST	Daylight saving time	
Multilanguage	English, Chinese, French, German, Hungarian, Polish, Italian, Portuguese, Arabic, Russian, Turkish, Spanish, Simplified Chinese	
CPU/OS	ARM Cortex A9 Processor @ 600 MHz, Linux 2.6 kernel	
Power		
Power	DC 12V, 10A / 120W	
Working env.	Temp: 0°C - +45°C / Humidity: 0% - 80%	
Dimension	434 x 411.4 x 88 mm	
Weight	5.0 Kg (w/o HDD)	



NVR109

1080P REAL-TIME MULTI-TOUCH 9 CHANNEL STANDALONE NVR



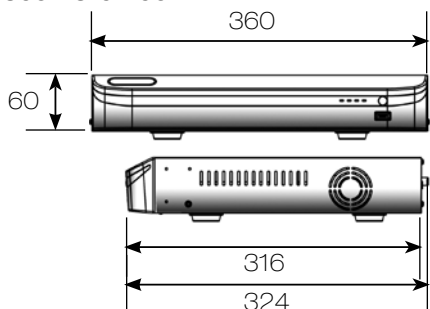
NVR109 is a 9-channel IP standalone Network Video Recorder offering 25 frames per second for each channel at a full 1080P resolution. Touch screen, mouse, LILIN twist zoom keyboard or IR remote control, easy to navigate menus, supporting 4 SATA hard drives, motion detection, weighted and scheduled recording. Audio recording and playback. WS discovery for easy network discovery. USB or network backup. HDMI output. Full NAV support, web based remote viewing & iPhone, Blackberry and Android support. Multi-touch screen supported.

FEATURES :

- Multi-touch screen supported
- 1080P 9 channel real-time NVR up to 36 Mbps throughput
- Full HD 1920x1080 HDMI output
- Support 4 SATA HDDs, 1 eSATA
- 3G mobile phone (iPhone, iPad, Android, and Blackberry) solutions provided.
- External USB DVD/RW.
- CMX 3.6 / NAV 1.0 support

DIMENSIONS : (Unit : mm)

360 x 316 x 60



SPECIFICATION :

Name	H.264 1080P Real-time Multi-touch Standalone NVR
Model	NVR109
	Internal SATA HDD
IP video supports	Network camera, Network PTZ dome, and video server
IP video input	Up to 9-channels 1080P
Max Network throughput	36 Mbps
HDD disk supported	SATA port x4
External RAID supported	e-SATA port x1
Recording	
Recording mode	External alarm / motion detection / schedule / manual
Resolution	1080P/ 720P/ D1/ VGA
Recording video	1080P/ 720P/ D1/ VGA
Schedule	7 day x 24 hrs time table, recording mode configurable
Backup	
Backup	USB 2.0 flash disk / HTTP file download / audio supported
DVD/RW	Support external USB DVD/RW
Playback	
Resolution	1080P/ 720P/ D1/ VGA
Playback video	1080P/ 720P/ D1/ VGA
Speed	FR: 2X, 4X, 8X,16X, 32X, 64X FF: 2X, 4X, 8X,16X, 32X, 64X
Video output	
HDMI output	1920 x1080P
Backlight saving	LCD backlight saving mode
Multi-touch	Support USB multi-touch screen
Multiplexer	
Multiplexer	Freeze
Split screen	4, 8, 9
Digital zoom	Up to 64X on live and playback
Management	
Reports	Full alarm, configuration, and operation reports exporting over HTTP or USB
Authentication	User authentication with feature configurable
Recording day	Recording day calculator
Alarm/event	
Alarm/event	DI x 2 and DOx 2 (NO/NC)
Motion	Motion grid 20x12 each channel, 8 sensitivities
Event	External alarm, video loss, stop recording, power recovering, motion detection, schedule, logon, HDD format
Email	Alarm notification with JPEG attachments
Accessories	
Accessories	Remote controller addressable up to 255 NVRs
P/T/Z protocol	Via network LILIN HTTP/Onvif supported
Keyboards	PIH-931D keyboard
IR receiver	None
RS-485/RS-232	RS-485 keyboard connector input x 1 , 12V output
Mouse	USB, mouse-click, mouse scroll, mouse drag
Audio out	RCA, 1 output
Remote control	Yes
Network Ports	
Network ports	Gigabit LAN, RJ45 x1
Network	Direct Internet browser access / multiple users access
Protocols	ARP / TCP/IP / UDP / HTTP / SMTP / FTP / DDNS
Web	Live / event log & time search playback / AVI
NVR status	HTML NVR status
IPScan	IP Scan supported, automatically quick IP address setup for IP cameras and NVRs
Software	
Backup manager	Multiple NVRs FTP file download and multi-channel playback
Mobile phone	iPhone, iPad, Android and Blackberry Mobile phone supported
Others	
WDT	Hardware watchdog timer
DST	Daylight saving time
Multilanguage	English, Chinese, French, German, Hungarian, Polish, Italian, Portuguese, Arabic, Russian, Turkish, Spanish, Simplified Chinese
CPU/OS	ARM Cortex A9 Processor @ 600 MHz, Linux 2.6 kernel
Power	
Power	DC 12V/ 6.67A / 80W
Working env.	Temp: 0°C - +45°C / Humidity: 0% - 80%
Dimension	360 x 316 x 60 mm
Weight	3.0 Kg (w/o HDD)





NVR104

1080P REAL-TIME MULTI-TOUCH 4 CHANNEL STANDALONE NVR



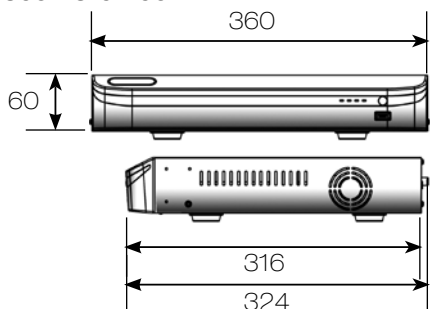
NVR104 is a 4-channel IP standalone Network Video Recorder offering 25 frames per second for each channel at a full 1080P resolution. Touch screen, mouse, LILIN twist zoom keyboard or IR remote control, easy to navigate menus, supporting 2 SATA hard drives, motion detection, weighted and scheduled recording. Audio recording and playback. WS discovery for easy network discovery. USB or network backup. HDMI output. Full NAV support, web based remote viewing & iPhone, Blackberry and Android support. Multi-touch screen supported.

FEATURES :

- Multi-touch screen supported
- 1080P 4 channel real-time NVR up to 24 Mbps throughput
- Full HD 1920x1080 HDMI output
- Support 2 SATA HDDs, 1 eSATA
- 3G mobile phone (iPhone, iPad, Android, and Blackberry) solutions provided.
- External USB DVD/RW.
- CMX 3.6 / NAV 1.0 support

DIMENSIONS : (Unit : mm)

360 x 316 x 60



SPECIFICATION :

Name	H.264 1080P Real-time Multi-touch Standalone NVR
Model	NVR104
IP video supports	Network camera, Network PTZ dome, and video server
IP video Input	Up to 4-channels 1080P
Max Network throughput	24 Mbps
HDD disk supported	SATA port x2
External RAID supported	e-SATA port x1
Recording	
Recording mode	External alarm / motion detection / schedule / manual
Resolution	1080P/ 720P/ D1/ VGA
Recording video	1080P/ 720P/ D1/ VGA
Schedule	7 day x 24 hrs time table, recording mode configurable
Backup	
Backup	USB 2.0 flash disk / HTTP file download / Audio supported
DVD/RW	Support external USB DVD/RW
Playback	
Resolution	1080P/ 720P/ D1/ VGA
Playback video	1080P/ 720P/ D1/ VGA
Speed	FR: 2X, 4X, 8X,16X, 32X, 64X FF: 2X, 4X, 8X,16X, 32X, 64X
Video output	
HDMI output	1920 x1080P
Backlight saving	LCD backlight saving mode
Multi-touch	Support USB multi-touch screen
Multiplexer	
Multiplexer	Freeze
Split screen	4
Digital zoom	Up to 64X on live and playback
Management	
Reports	Full alarm, configuration, and operation reports exporting over HTTP or USB
Authentication	User authentication with feature configurable
Recording day	Recording day calculator
Alarm/event	
Alarm/event	DI x 2 and DOx 2 (NO/NC)
Motion	Motion grid 20x12 each channel, 8 sensitivities
Event	External alarm, video loss, stop recording, power recovering, motion detection, schedule, logon, HDD format
Email	Alarm notification with JPEG attachments
Accessories	
Accessories	Remote controller addressable up to 255 NVRs
P/T/Z protocol	Via network LILIN HTTP/Onvif supported
Keyboards	PIH-931D keyboard
IR receiver	None
RS-485/RS-232	RS-485 keyboard connector Input x 1 , 12V output
Mouse	USB, mouse-click, mouse scroll, mouse drag
Audio out	RCA, 1 output
Remote control	Yes
Network ports	
Network ports	Gigabit LAN, RJ45 x1
Network	Direct Internet browser access / multiple users access
Protocols	ARP / TCP/IP / UDP / HTTP / SMTP / FTP / DDNS
Web	Live / event log & time search playback / AVI
NVR status	HTML NVR status
IPScan	IP Scan supported, automatically quick IP address setup for IP cameras and NVRs
Software	
Backup manager	Multiple NVRs FTP file download and multi-channel playback
Mobile phone	iPhone, iPad, Android and Blackberry Mobile phone supported
Others	
WDT	Hardware watchdog timer
DST	Daylight saving time
Multilanguage	English, Chinese, French, German, Hungarian, Polish, Italian, Portuguese, Arabic, Russian, Turkish, Spanish, Simplified Chinese
CPU/OS	ARM cortex A9 processor @ 600 MHz, linux 2.6 kernel
Power	
Power	DC 12V/ 5A / 60W
Working env.	Temp: 0°C - +45°C / Humidity: 0% - 80%
Dimension	360 x 316 x 60 mm
Weight	3.0 Kg (w/o HDD)

1080P REAL-TIME MULTI-TOUCH PORTABLE 4 CHANNEL STANDALONE NVR



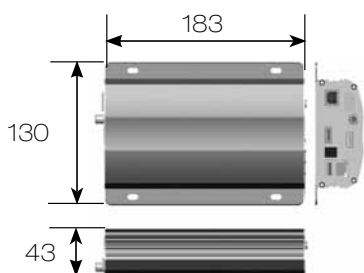
LILIN 1080P real-time multi-touch portable 4 channel standalone Network Video Recorder NVR404C supports 4 channel mobile IP standalone Network Video Recorder offering 25 frames per second for each channel at full 1080P resolution, touch screen, mouse, LILIN twist zoom keyboard or IR remote control, easy to navigate menus, support for 1 Solid State Hard Drive. Motion detection, weighted and scheduled recording. Audio recording, playback, WS discovery for easy network discovery, USB or network backup.

FEATURES :

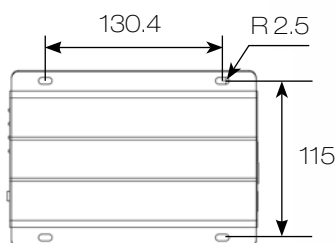
- Portable NVR
- Multi-touch screen supported
- 1080P 4 channel real-time NVR up to 24 Mbps throughput
- Full HD 1920x1080 HDMI output
- Support one 2.5" SATA or SSD HDD
- 3G mobile phone (iPhone, iPad, Android, and Blackberry) solutions provided.
- External USB DVD/RW.
- CMX 3.6 / NAV 1.0 support

DIMENSIONS : (Unit : mm)

183 x 130 x 43



INSTALLATION HOLE SITE DIAGRAM :



SPECIFICATION :

Name	1080P Real-time Multi-touch Portable 4 Channel Standalone NVR
Model	NVR404C
IP video supports	Network camera, Network PTZ dome, and video server
IP video Input	Up to 4-channels 1080P
Max Network throughput	24 Mbps
HDD disk supported	SATA port x1
Recording	
Recording mode	External alarm / motion detection / schedule / manual
Resolution	1080P/ 720P/ D1/ VGA
Recording video	1080P/ 720P/ D1/ VGA
Schedule	7 day x 24 hrs time table, recording mode configurable
Backup	
Backup	USB 2.0 flash disk / HTTP file download / audio supported
DVD/RW	External USB DVD/RW
Playback	
Resolution	1080P/ 720P/ D1/ VGA
Playback video	1080P/ 720P/ D1/ VGA
Speed	FR: 2X, 4X, 8X,16X, 32X, 64X FF: 2X, 4X, 8X,16X, 32X, 64X
Video output	
HDMI output	1920 x1080P
Backlight saving	LCD backlight saving mode
Multi-touch	Support USB multi-touch screen
Multiplexer	
Multiplexer	Freeze
Split screen	4
Digital zoom	Up to 64X on live and playback
Management	
Reports	Full alarm, configuration, and operation reports exporting over HTTP or USB
Authentication	User authentication with feature configurable
Recording day	Recording day calculator
Alarm/event	
Alarm/event	DI x 2 and DOx 2 (NO/NC)
Motion	Motion grid 20x12 each channel, 8 sensitivities
Event	External alarm, video loss, stop recording, power recovering, motion detection, schedule, logon, HDD format
Email	Alarm notification with JPEG attachments
Accessories	
Accessories	Remote controller addressable up to 255 NVRs
P/T/Z protocol	Via network LILIN HTTP/Onvif supported
Keyboard	PIH-931D keyboard
IR receiver	Yes
RS-485/RS-232	RS-485 keyboard connector Input x 1 , 12V output
Mouse	USB, mouse-click, mouse scroll, mouse drag
Audio out	RCA, 1 output
Remote control	Yes
Network ports	
Network ports	Gigabit LAN, RJ45 x1
Network	Direct Internet browser access / multiple users access
Protocols	ARP / TCP/IP / UDP / HTTP / SMTP / FTP / DDNS
Web	Live / event log & time search playback / AVI
NVR status	HTML NVR status
IPScan	IP scan supported, automatically quick IP address setup for IP cameras and NVRs
Software	
Backup manager	Multiple NVRs FTP file download and multi-channel playback
Mobile phone	iPhone, iPad, Android and Blackberry Mobile phone supported
Others	
WDT	Hardware watchdog timer
DST	Daylight saving time
Multilanguage	English, Chinese, French, German, Hungarian, Polish, Italian, Portuguese, Arabic, Russian, Turkish, Spanish, Simplified Chinese
CPU/OS	ARM cortex A9 processor @ 600 MHz, linux 2.6 kernel
Power	
Power	DC 12V, 4.2A / 48W
Working env.	Temp: 0°C - +45°C / Humidity: 0% - 80%
Dimension	183 x 130 x 43 mm
Weight	0.5 Kg (w/o HDD)



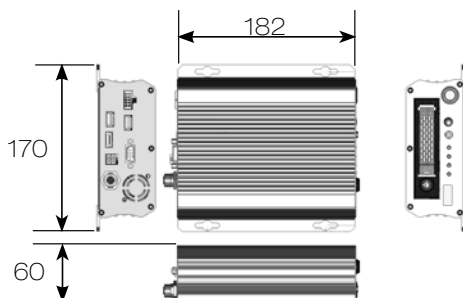
Mobile Network Video Recorder, NVR408M, is designed for use in moving vehicles, remote locations, or rugged environments working in harsh and demanding conditions to deliver quality video surveillance solutions. Rugged compact design with GPS navigation option available. Typical usage include trains, buses, trucks, cars, airplanes, ships, and other applications suiting law enforcement or public transport solutions. NVR408M is EN50155 certified product, which ensures the use of railway application and able to withstand severe vibration and shock.

FEATURES :

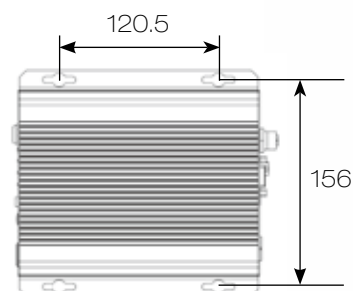
- GPS communications
- EN50155 certification – withstand severe shock and vibration
- Easy installation and rugged design
- Outstanding recording performance
- Suitable for public & commercial transportation applications
- Maintains superior performance even in the toughest conditions

DIMENSIONS : (Unit : mm)

182 x 170 x 60



INSTALLATION HOLE SITE DIAGRAM :



SPECIFICATION :

Name	H.264 1080P Real-Time Multi-Touch Vehicle Standalone NVR
Models	NVR408M
IP Video Supports	Removeable 2.5" SATA HDD Tray Network camera, Onvif Profile S
IP Video Input	Up to 9 Channel 1080P
Max Network Throughput	45 Mbps
HDD Disk supported	SATA Port *1 (2.5-inch HDD or SSD HDD)
Physical dimension	100 * 70 * 10 mm
Recording	
Recording mode	External alarm / motion detection / schedule / manual
Resolution	1080P/ 720P/ D1/ VGA / CIF
Recording Video	1080P/ 720P/ D1/ VGA / CIF
Schedule	7 day * 24 hrs time table, recording mode configurable
Backup	USB 2.0 flash disk / HTTP file download / Audio supported
DVD/RW	External USB DVD/RW
Playback	
Resolution	1080P/ 720P/ D1/ VGA / CIF
Recording Video	1080P/ 720P/ D1/ VGA / CIF
Speed	FR: 2x, 4x, 8x,16x, 32x, 64x / FF:2x, 4x, 8x,16x, 32x, 64x
Video Output	
HDMI / VGA output	1920 x1080P
Backlight saving	LCD backlight saving mode
Multi-touch	Support USB multi-touch screen
Multiplexer	Freeze
Split screen	1 / 4 / 8 / 9
Digital zoom	Up to 64x on live and playback
Management	
Reports	Full alarm, configuration, and operation reports exporting over HTTP or USB
Authentication	User authentication with feature configurable
Recording day	Recording day calculator
Alarm/event	DI * 2 and DO* 2 (NO/NC)
Motion	Motion grid 20*12 each channel, 8 sensitivities
Event	External alarm, IP loss, stop recording, power recovering, motion detection, schedule, logon, HDD format, HDD ERROR, S.M.A.R.T
Email	Alarm notification with JPEG attachments
Accessories	Remote controller addressable up to 255 NVRs
PTZ protocol	HTTP / Onvif
IR receiver	Extra IR extension connector
RS-232	Yes
Mouse	USB, mouse-click, mouse scroll, mouse drag
Audio out	Yes
Remote control	Yes
USB GPS Receiver	Support
Network Ports	100Mbps LAN, M12 *1
Network	Direct Internet browser access / multiple users access
Protocols	ARP / TCP/IP / UDP / HTTP / SMTP / FTP / DDNS / PPPoE / NTP / RTP / RTSP / DHCP / Onvif Profile S
Web	Live / event log & time search playback / AVI
NVR status	HTML NVR status
IP Scan	IP Scan supported, automatically quick IP address setup for IP cameras
Software	
Backup Manager	Multiple NVRs FTP file download and multi-channel playback
Mobile phone	iPhone, iPad, Black Berry and Android mobile phone supported
Others	
WDT	Hardware watchdog timer
DST	Daylight saving time
Multilanguage	English, Chinese, French, German, Polish, Italian, Spanish, Portuguese, Arabic, Russian, Turkish, Simplified Chinese
CPU/OS	ARM Cortex A9 Processor @ 600 MHz CPU, Linux 2.6 kernel
Power	DC 9 - 34V Over voltage protect
Working Env.	Temp: -20°C - +60°C / Humidity: 0%~80%
Dimension	182 * 170 * 60 mm
Weight	1.5 Kg (w/o HDD)



NVR100L

NVR L SERIES MULTI-TOUCH STAND ALONE NETWORK VIDEO RECORDER SPECIFICATION



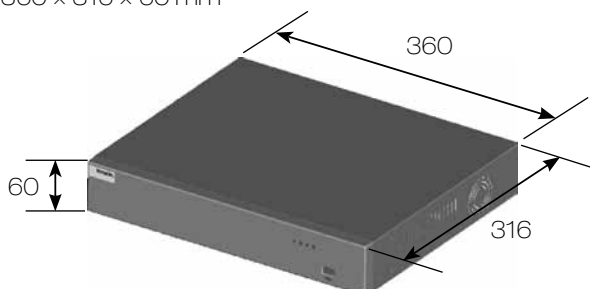
LILIN Lite series NVR100L multi-touch standalone Network Video Recorder is a plug-n-play and cost-effective video surveillance system for SOHO and SMB users to record and navigate their IP based security cameras. LILIN NVR Lite series systems support up to 4TB storage capacity. With a total of 32Mbps of bandwidth available, the Lite series NVRs are able to support up to 16 cameras at high definition resolution in real time as well as other configurations. The user interface is intuitive with all the features that end users need for daily video surveillance operations – video recording, playback / live view of recorded video. Full LILIN CMX / NAV software support, Web based remote viewing, iOS, and Android support. With LILIN's unique WS Discovery technology, you can locate all the cameras on the network and imports a preview picture of each channel to help with identification, which greatly speeds up commissioning.

FEATURES :

- Reliable security recorder system for SMB and SOHO users
- Works perfectly with LILIN IP cameras
- Remote monitoring in real-time
- Support up to 4TB storage capacity
- 32Mbps
- User friendly video playback, video search by time or date
- Plug-n-play one click auto installation with LILIN WS Discovery and IPScan driver
- High quality recording
- Low bandwidth remote viewing
- No PC required
- VGA and HDMI video outputs

DIMENSIONS : (Unit : mm)

360 x 316 x 60 mm



SPECIFICATION :

Name		NVR L Series Multi-Touch Stand Alone Network Video Recorder Specification
Models		NVR100L
IP Video Input	Supports	Network camera / ONVIF Profile S
	Input	16CH
	Resolution	CIF / VGA / D1 / 960H / 1M / 1.3M / 1080P / 3M
	Max. Frame Rate	100 FPS
Video Display	Output	HDMI / VGA 1080P
	Split Screen	1 / 4 / 8 / 9 / 13 / 16, sequence mode, freeze
	Digital Zoom	Up to 64x on live and playback
	Multi-Touch	Support USB multi-touch Screen
	Backlight Saving	Adjustable idle time 30-60 sec.
Recording	Encode	H.264
	Max. Network Through Put	32Mbps
	Resolution	CIF - 3M
	Max. Frame Rate	Up to 1080P 60 FPS
	Mode	Manual, schedule(continue, event, none)
	Schedule	Each channel 7day x 24 hours time table, recording mode configurable
	Event	Motion grid (20x12, multi-level sensitivities) / network camera event
	Alarm Notification	Alarm notification iOS, android / E-Mail / FTP / buzzer
Playback	Search	Alarm event / Operation event / System event / Meta data event / Time search
	Display	16CH synchronous playback
	Max. Division Display	100FPS
	Resolution	CIF - 3M
	Max. Frame Rate	Up to 1080P 60FPS
	Speed	Fast rewind 2x-64x / Fast forward 2x-64x / Step Forward
Storage	HDD Supported (Up to 4TB)	2 x 3.5" HDD
Backup	USB Flash Disk	Up to 32 GB
	Network	Via HTTP / FTP
	DVD/RW	External USB DVD/RW
Audio	Input	16 CH(network camera), G.711 8K
Network	Ports	Gigabit Ethernet,RJ45 x1
	Protocols	ARP / TCP/IP / UDP / HTTP / SMTP / FTP / DDNS / PPPoE / NTP / RTP / RTSP / DHCP/ Onvif Profile S
	Web	Direct internet browser access / Multiple users access
	Mobile Phone	iOS / Android supported
	IPScan / WS-Discovery	WS-Discovery and IP Scan, Automatically quick IP address setup for network cameras
Software	CMS	CMX / NAVIGATOR
	Backup / Playback	Remote Playback Manager / Backupman, multiple NVRs file download and multi-channel playback
Alarm	Ports	None
System	Reports	Alarm event, operation and configuration full reports exporting over HTTP or USB
	Authentication	User authentication with feature configurable
	Multi-Language	English, Traditional Chinese, German, Italian, Portuguese, Spanish, French, Turkish, Hungarian, Polish, Russian, Arabic, Simplified Chinese
	HDD Inspection	S.M.A.R.T monitoring / File system de-fragmentation
	Recording Day	Automatic recording day calculator
	Time	Daylight saving / NTP / External USB GPS time sync
Accessories	PTZ Protocols	HTTP / ONVIF
	Remote Control	Remote controller addressable up to 255 NVRs
	Mouse	Mouse click, drag and scroll
	Audio Output	RCA x 1 (0.7Vp-p, 300 Hz to 3KHz)
Others	CPU/OS	ARM Cortex A9, Embedded Linux Kernel 2.6
	WDT	Hardware watchdog timer
Power and Working Env.	Power	DC 12V, 5A, 60W
	Working Env.	Temp : 0°C - 45°C / Humidity : 5%-80%
	Dimension (WxLxH)	360 x 316 x 60 mm
	Weight	3 Kg (w/o HDD)



NVR200L

NVR L SERIES MULTI-TOUCH STAND ALONE NETWORK VIDEO RECORDER SPECIFICATION



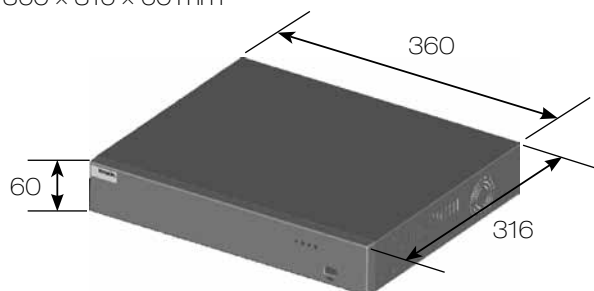
LILIN Lite series NVR200L multi-touch standalone Network Video Recorder is a plug-n-play and cost-effective video surveillance system for SOHO and SMB users to record and navigate their IP based security cameras. LILIN NVR Lite series systems support up to 4TB storage capacity. With a total of 40Mbps of bandwidth available, the Lite series NVRs are able to support up to 16 cameras at high definition resolution in real time as well as other configurations. The user interface is intuitive with all the features that end users need for daily video surveillance operations – video recording, playback / live view of recorded video. Full LILIN CMX / NAV software support, Web based remote viewing, iOS, and Android support. With LILIN's unique WS Discovery technology, you can locate all the cameras on the network and imports a preview picture of each channel to help with identification, which greatly speeds up commissioning.

FEATURES :

- Reliable security recorder system for SMB and SOHO users
- Works perfectly with LILIN IP cameras
- Remote monitoring in real-time
- Support up to 4TB storage capacity
- 40Mbps
- User friendly video playback, video search by time or date
- Plug-n-play one click auto installation with LILIN WS Discovery and IPScan driver
- High quality recording
- Low bandwidth remote viewing
- No PC required
- VGA and HDMI video outputs

DIMENSIONS : (Unit : mm)

360 x 316 x 60 mm



SPECIFICATION :

Name		NVR L Series Multi-Touch Stand Alone Network Video Recorder Specification
Models		NVR200L
IP Video Input	Supports	Network camera / ONVIF Profile S
	Input	16CH
	Resolution	CIF / VGA / D1 / 960H / 1M / 1.3M / 1080P / 3M
	Max. Frame Rate	200 FPS
Video Display	Output	HDMI / VGA 1080P
	Split Screen	1 / 4 / 8 / 9 / 13 / 16, sequence mode, freeze
	Digital Zoom	Up to 64x on live and playback
	Multi-Touch	Support USB multi-touch Screen
	Backlight Saving	Adjustable idle time 30-60 sec.
Recording	Encode	H.264
	Max. Network Through Put	40Mbps
	Resolution	CIF - 3M
	Max. Frame Rate	Up to 1080P 60 FPS
	Mode	Manual, schedule(continue, event, none)
	Schedule	Each channel 7day x 24 hours time table, recording mode configurable
	Event	Motion grid (20x12, multi-level sensitivities) / network camera event
	Alarm Notification	Alarm notification iOS, android / E-Mail / FTP / buzzer
Playback	Search	Alarm event / Operation event / System event / Meta data event / Time search
	Display	16CH synchronous playback
	Max. Division Display	200FPS
	Resolution	CIF - 3M
	Max. Frame Rate	Up to 1080P 60FPS
	Speed	Fast rewind 2x-64x / Fast forward 2x-64x / Step Forward
Storage	HDD Supported (Up to 4TB)	2 x 3.5" HDD
Backup	USB Flash Disk	Up to 32 GB
	Network	Via HTTP / FTP
	DVD/RW	External USB DVD/RW
Audio	Input	16 CH(network camera), G.711 8K
Network	Ports	Gigabit Ethernet,RJ45 x1
	Protocols	ARP / TCP/IP / UDP / HTTP / SMTP / FTP / DDNS / PPPoE / NTP / RTP / RTSP / DHCP/ Onvif Profile S
	Web	Direct internet browser access / Multiple users access
	Mobile Phone	iOS / Android supported
	IPScan / WS-Discovery	WS-Discovery and IP Scan, Automatically quick IP address setup for network cameras
Software	CMS	CMX / NAVIGATOR
	Backup / Playback	Remote Playback Manager / Backupman, multiple NVRs file download and multi-channel playback
Alarm	Ports	None
System	Reports	Alarm event, operation and configuration full reports exporting over HTTP or USB
	Authentication	User authentication with feature configurable
	Multi-Language	English, Traditional Chinese, German, Italian, Portuguese, Spanish, French, Turkish, Hungarian, Polish, Russian, Arabic, Simplified Chinese
	HDD Inspection	S.M.A.R.T monitoring / File system de-fragmentation
	Recording Day	Automatic recording day calculator
	Time	Daylight saving / NTP / External USB GPS time sync
Accessories	PTZ Protocols	HTTP / ONVIF
	Remote Control	Remote controller addressable up to 255 NVRs
	Mouse	Mouse click, drag and scroll
	Audio Output	RCA x 1 (0.7Vp-p, 300 Hz to 3KHz)
Others	CPU/OS	ARM Cortex A9, Embedded Linux Kernel 2.6
	WDT	Hardware watchdog timer
Power and Working Env.	Power	DC 12V, 5A, 60W
	Working Env.	Temp : 0°C - 45°C / Humidity : 5%-80%
	Dimension (WxLxH)	360 x 316 x 60 mm
	Weight	3 Kg (w/o HDD)



NVR400L

NVR L SERIES MULTI-TOUCH STAND ALONE NETWORK VIDEO RECORDER SPECIFICATION



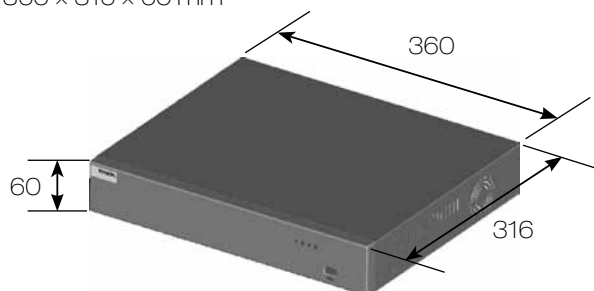
LILIN Lite series NVR400L multi-touch standalone Network Video Recorder is a plug-n-play and cost-effective video surveillance system for SOHO and SMB users to record and navigate their IP based security cameras. LILIN NVR Lite series systems support up to 4TB storage capacity. With a total of 48Mbps of bandwidth available, the Lite series NVRs are able to support up to 16 cameras at high definition resolution in real time as well as other configurations. The user interface is intuitive with all the features that end users need for daily video surveillance operations – video recording, playback / live view of recorded video. Full LILIN CMX / NAV software support, Web based remote viewing, iOS, and Android support. With LILIN's unique WS Discovery technology, you can locate all the cameras on the network and imports a preview picture of each channel to help with identification, which greatly speeds up commissioning.

FEATURES :

- Reliable security recorder system for SMB and SOHO users
- Works perfectly with LILIN IP cameras
- Remote monitoring in real-time
- Support up to 4TB storage capacity
- 48Mbps
- User friendly video playback, video search by time or date
- Plug-n-play one click auto installation with LILIN WS Discovery and IPScan driver
- High quality recording
- Low bandwidth remote viewing
- No PC required
- VGA and HDMI video outputs

DIMENSIONS : (Unit : mm)

360 x 316 x 60 mm



SPECIFICATION :

Name		NVR L Series Multi-Touch Stand Alone Network Video Recorder Specification
Models		NVR400L
IP Video Input	Supports	Network camera / ONVIF Profile S
	Input	16CH
	Resolution	CIF / VGA / D1 / 960H / 1M / 1.3M / 1080P / 3M
	Max. Frame Rate	400 FPS
Video Display	Output	HDMI / VGA 1080P
	Split Screen	1 / 4 / 8 / 9 / 13 / 16, sequence mode, freeze
	Digital Zoom	Up to 64x on live and playback
	Multi-Touch	Support USB multi-touch Screen
	Backlight Saving	Adjustable idle time 30-60 sec.
Recording	Encode	H.264
	Max. Network Through Put	48Mbps
	Resolution	CIF - 3M
	Max. Frame Rate	Up to 1080P 60 FPS
	Mode	Manual, schedule(continue, event, none)
	Schedule	Each channel 7day x 24 hours time table, recording mode configurable
	Event	Motion grid (20x12, multi-level sensitivities) / network camera event / DI
	Alarm Notification	Alarm notification iOS, android / E-Mail / FTP / buzzer / DO
Playback	Search	Alarm event / Operation event / System event / Meta data event / Time search
	Display	16CH synchronous playback
	Max. Division Display	400FPS
	Resolution	CIF - 3M
	Max. Frame Rate	Up to 1080P 60FPS
	Speed	Fast rewind 2x-64x / Fast forward 2x-64x / Step Forward
Storage	HDD Supported (Up to 4TB)	4 x 3.5" HDD
Backup	USB Flash Disk	Up to 32 GB
	Network	Via HTTP / FTP
	DVD/RW	External USB DVD/RW
Audio	Input	16 CH(network camera), G.711 8K
Network	Ports	Gigabit Ethernet,RJ45 x1
	Protocols	ARP / TCP/IP / UDP / HTTP / SMTP / FTP / DDNS / PPPoE / NTP / RTP / RTSP / DHCP/ Onvif Profile S
	Web	Direct internet browser access / Multiple users access
	Mobile Phone	iOS / Android supported
	IPScan / WS-Discovery	WS-Discovery and IP Scan, Automatically quick IP address setup for network cameras
Software	CMS	CMX / NAVIGATOR
	Backup / Playback	Remote Playback Manager / Backupman, multiple NVRs file download and multi-channel playback
Alarm	Ports	DI x 2 and DO x 2 (NO/NC)
System	Reports	Alarm event, operation and configuration full reports exporting over HTTP or USB
	Authentication	User authentication with feature configurable
	Multi-Language	English, Traditional Chinese, German, Italian, Portuguese, Spanish, French, Turkish, Hungarian, Polish, Russian, Arabic, Simplified Chinese
	HDD Inspection	S.M.A.R.T monitoring / File system de-fragmentation
	Recording Day	Automatic recording day calculator
	Time	Daylight saving / NTP / External USB GPS time sync
Accessories	PTZ Protocols	HTTP / ONVIF
	Remote Control	Remote controller addressable up to 255 NVRs
	Mouse	Mouse click, drag and scroll
	Audio Output	RCA x 1 (0.7Vp-p, 300 Hz to 3KHz)
Others	CPU/OS	ARM Cortex A9, Embedded Linux Kernel 2.6
	WDT	Hardware watchdog timer
Power and Working Env.	Power	DC 12V, 6.67A, 80W
	Working Env.	Temp : 0°C - 45°C / Humidity : 5%-80%
	Dimension (WxLxH)	360 x 316 x 60 mm
	Weight	3 Kg (w/o HDD)



NVR1400

NVR L SERIES MULTI-TOUCH STAND ALONE NETWORK
VIDEO RECORDER SPECIFICATION

Mobile Network Video Recorder, NVR408M, is designed for use in moving vehicles, remote locations, or rugged environments working in harsh and demanding conditions to deliver quality video surveillance solutions. Rugged compact design with GPS navigation option available. Typical usage include trains, buses, trucks, cars, airplanes, ships, and other applications suiting law enforcement or public transport solutions. NVR408M is EN50155 certified product, which ensures the use of railway application and able to withstand severe vibration and shock.

FEATURES :

- GPS communications
- EN50155 certification – withstand severe shock and vibration
- Easy installation and rugged design
- Outstanding recording performance
- Suitable for public & commercial transportation applications
- Maintains superior performance even in the toughest conditions

DIMENSIONS : (Unit : mm)

360 x 316 x 60 mm

INSTALLATION HOLE SITE DIAGRAM :

SPECIFICATION :

Name		NVR L Series Multi-Touch Stand Alone Network Video Recorder Specification
Models		NVR1400
IP Video Input	Supports	Network camera / ONVIF Profile S
	Input	16CH
	Resolution	CIF / VGA / D1 / 960H / 1M / 1.3M / 1080P / 3M
	Max. Frame Rate	400 FPS
Video Display	Output	HDMI / VGA 1080P
	Split Screen	1 / 4 / 8 / 9 / 13 / 16, sequence mode, freeze
	Digital Zoom	Up to 64x on live and playback
	Multi-Touch	Support USB multi-touch Screen
	Backlight Saving	Adjustable idle time 30-60 sec.
Recording	Encode	H.264
	Max. Network Through Put	48Mbps
	Resolution	CIF - 3M
	Max. Frame Rate	Up to 1080P 60 FPS
	Mode	Manual, schedule(continue, event, none)
	Schedule	Each channel 7day x 24 hours time table, recording mode configurable
	Event	Motion grid (20x12, multi-level sensitivities) / network camera event / DI
	Alarm Notification	Alarm notification iOS android / E-Mail / FTP / buzzer / DO
Playback	Search	Alarm event / Operation event / System event / Meta data event / Time search
	Display	16CH synchronous playback
	Max. Division Display	400FPS
	Resolution	CIF - 3M
	Max. Frame Rate	Up to 1080P 60FPS
	Speed	Fast rewind 2x-64x / Fast forward 2x-64x / Step Forward
Storage	HDD Supported (Up to 4TB)	4 x 3.5" HDD
Backup	USB Flash Disk	Up to 32 GB
	Network	Via HTTP / FTP
	DVD/RW	External USB DVD/RW
Audio	Input	16 CH(network camera), G.711 8K
Network	Ports	Gigabit Ethernet,RJ45 x1
	Protocols	ARP / TCP/IP / UDP / HTTP / SMTP / FTP / DDNS / PPPoE / NTP / RTP / RTSP / DHCP/ Onvif Profile S
	Web	Direct internet browser access / Multiple users access
	Mobile Phone	iOS / Android supported
	IPScan / WS-Discovery	WS-Discovery and IP Scan, Automatically quick IP address setup for network cameras
Software	CMS	CMX / NAVIGATOR
	Backup / Playback	Remote Playback Manager / Backupman, multiple NVRs file download and multi-channel playback
Alarm	Ports	DI x 2 and DO x 2 (NO/NC)
System	Reports	Alarm event, operation and configuration full reports exporting over HTTP or USB
	Authentication	User authentication with feature configurable
	Multi-Language	English, Traditional Chinese, German, Italian, Portuguese, Spanish, French, Turkish, Hungarian, Polish, Russian, Arabic, Simplified Chinese
	HDD Inspection	S.M.A.R.T monitoring / File system de-fragmentation
	Recording Day	Automatic recording day calculator
	Time	Daylight saving / NTP / External USB GPS time sync
Accessories	PTZ Protocols	HTTP / ONVIF
	Remote Control	Remote controller addressable up to 255 NVRs
	Mouse	Mouse click, drag and scroll
	Audio Output	RCA x 1 (0.7Vp-p, 300 Hz to 3KHz)
Others	CPU/OS	ARM Cortex A9, Embedded Linux Kernel 2.6
	WDT	Hardware watchdog timer
Power and Working Env.	Power	DC 12V, 6.67A, 80W
	Working Env.	Temp : 0°C - 45°C / Humidity : 5%-80%
	Dimension (WxLxH)	360 x 316 x 60 mm
	Weight	3 Kg (w/o HDD)



NVR2400

NVR L SERIES MULTI-TOUCH STAND ALONE NETWORK
VIDEO RECORDER SPECIFICATION

Mobile Network Video Recorder, NVR408M, is designed for use in moving vehicles, remote locations, or rugged environments working in harsh and demanding conditions to deliver quality video surveillance solutions. Rugged compact design with GPS navigation option available. Typical usage include trains, buses, trucks, cars, airplanes, ships, and other applications suiting law enforcement or public transport solutions. NVR408M is EN50155 certified product, which ensures the use of railway application and able to withstand severe vibration and shock.

FEATURES :

- GPS communications
- EN50155 certification – withstand severe shock and vibration
- Easy installation and rugged design
- Outstanding recording performance
- Suitable for public & commercial transportation applications
- Maintains superior performance even in the toughest conditions

DIMENSIONS : (Unit : mm)

360 x 316 x 60 mm

INSTALLATION HOLE SITE DIAGRAM :

SPECIFICATION :

Name		NVR L Series Multi-Touch Stand Alone Network Video Recorder Specification
Models		NVR2400
IP Video Input	Supports	Network camera / ONVIF Profile S
	Input	16CH
	Resolution	CIF / VGA / D1 / 960H / 1M / 1.3M / 1080P / 3M
	Max. Frame Rate	400 FPS
Video Display	Output	HDMI / VGA 1080P
	Split Screen	1 / 4 / 8 / 9 / 13 / 16, sequence mode, freeze
	Digital Zoom	Up to 64x on live and playback
	Multi-Touch	Support USB multi-touch Screen
	Backlight Saving	Adjustable idle time 30-60 sec.
Recording	Encode	H.264
	Max. Network Through Put	48Mbps
	Resolution	CIF - 3M
	Max. Frame Rate	Up to 1080P 60 FPS
	Mode	Manual, schedule(continue, event, none)
	Schedule	Each channel 7day x 24 hours time table, recording mode configurable
	Event	Motion grid (20x12, multi-level sensitivities) / network camera event / DI
	Alarm Notification	Alarm notification iOS android / E-Mail / FTP / buzzer / DO
Playback	Search	Alarm event / Operation event / System event / Meta data event / Time search
	Display	16CH synchronous playback
	Max. Division Display	400FPS
	Resolution	CIF - 3M
	Max. Frame Rate	Up to 1080P 60FPS
	Speed	Fast rewind 2x-64x / Fast forward 2x-64x / Step Forward
Storage	HDD Supported (Up to 4TB)	4 x 3.5" HDD
Backup	USB Flash Disk	Up to 32 GB
	Network	Via HTTP / FTP
	DVD/RW	External USB DVD/RW
Audio	Input	16 CH(network camera), G.711 8K
Network	Ports	Gigabit Ethernet,RJ45 x1
	Protocols	ARP / TCP/IP / UDP / HTTP / SMTP / FTP / DDNS / PPPoE / NTP / RTP / RTSP / DHCP/ Onvif Profile S
	Web	Direct internet browser access / Multiple users access
	Mobile Phone	iOS / Android supported
	IPScan / WS-Discovery	WS-Discovery and IP Scan, Automatically quick IP address setup for network cameras
Software	CMS	CMX / NAVIGATOR
	Backup / Playback	Remote Playback Manager / Backupman, multiple NVRs file download and multi-channel playback
Alarm	Ports	DI x 2 and DO x 2 (NO/NC)
System	Reports	Alarm event, operation and configuration full reports exporting over HTTP or USB
	Authentication	User authentication with feature configurable
	Multi-Language	English, Traditional Chinese, German, Italian, Portuguese, Spanish, French, Turkish, Hungarian, Polish, Russian, Arabic, Simplified Chinese
	HDD Inspection	S.M.A.R.T monitoring / File system de-fragmentation
	Recording Day	Automatic recording day calculator
	Time	Daylight saving / NTP / External USB GPS time sync
Accessories	PTZ Protocols	HTTP / ONVIF
	Remote Control	Remote controller addressable up to 255 NVRs
	Mouse	Mouse click, drag and scroll
	Audio Output	RCA x 1 (0.7Vp-p, 300 Hz to 3KHz)
Others	CPU/OS	ARM Cortex A9, Embedded Linux Kernel 2.6
	WDT	Hardware watchdog timer
Power and Working Env.	Power	DC 12V, 6.67A, 80W
	Working Env.	Temp : 0°C - 45°C / Humidity : 5%-80%
	Dimension (WxLxH)	360 x 316 x 60 mm
	Weight	3 Kg (w/o HDD)



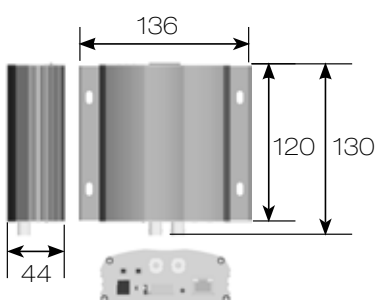
LILIN VS212 Video Encoder is a compact and easy-to-use 1-channel video encoder with good video performance; it turns an analogue video system into a network video system and enables users to view live images using a Web browser or video management software on any local or remote computer on a network. It can simplify migration to network video without upgrading existing camera systems. LILIN VS212 provides edge storage through a SD/SDHC memory card slot. It supports all types of analog cameras including PTZ (pan/tilt/zoom) domes.

FEATURES :

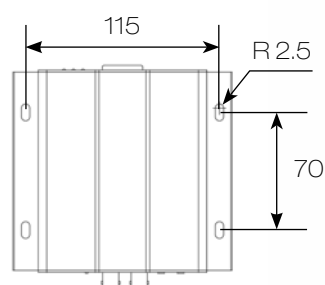
- True H.264 AVC/MPEG-4 part 10 real-time Video compression
- H.264 and Motion JPEG multi-profile Video streaming
- 960H composition video signal supported
- Motion detection Alarm function
- Two-way audio supported
- SD/SDHC card recording supported
- ONVIF supported
- CMX 3.6 / NAV 1.0 support

DIMENSIONS : (Unit : mm)

136 x 130 x 44



INSTALLATION HOLE SITE DIAGRAM :



SPECIFICATION :

Name	H.264 1CH Video Encoder
Model	VS212
Video compression	H.264 , Motion JPEG
Resolution	960H: 960 x 480 (NTSC) / 960 x 576 (PAL) , D1: 720 x 480 , CIF: 352 x 240
Frame rate	H.264 : up to 30/25 FPS at 960H resolution Motion JPEG : up to 30/25 FPS at D1 resolution
Video streaming	Simultaneous Motion JPEG and H.264 RTP/HTTP, RTP/TCP, RTP/UDP, Multicast
Video bitrate	128 Kbps – 3 Mbps Frame rate and bit rate controllable on-the-fly VBR / CBR / GOP supported
Security	Base64 HTTP encryption Multiple user access levels with password protection 10 user accounts available
Users	8 simultaneous users
Alarm function	Image upload over FTP and E-mail by motion detection
CPU, memory	Embedded SoC ARM11, 528MHz, 256MB DDR2, 256MB flash memory
Maintenance	Firmware update via HTTP
Network interface	10Mbps / 100Mbps , RJ-45
PC requirement	OS : Windows 2000, Windows XP, Windows Vista, Windows 7, Windows 8 Browser : Windows Internet Explorer 6.0 or above CPU : intel pentium 4 1.8GHz or above RAM : 1GB or above, independent display card
Network protocols	IP, TCP, UDP, HTTP, SMTP, NTP, DDNS, UPnP, FTP, ARP, DHCP, PPPoE, DNS, RTSP, RTCP, Telnet, ICMP, IGMP, ONVIF Profile S, SNMP, SIP, Bonjour
Mobile phone	iPhone, iPad, and Android support
System integration	ONVIF & LILIN HTTP API
Central management system	CMX 3.6 / NAV 1.0 support
Video display	LILIN Universal ActiveX & LILIN Java Applet
OS	Embedded Linux 2.6.32
Video input / output	CVBS 1.0 Vp-p , 75 Ω , BNC connector
Audio input / output	Mono, 1.4 Vp-p , 50 KΩ , 3.5mm phone jack
Two-way audio	G.711 / PCM
SD card recording	Support SD/SDHC card for circular recording (card is not included)
Control interface	RS-485 , Half-Duplex , support MLP2 , Pelco D/P protocols
Alarm input / output	Digital 1 input (TTL, +3 – 5V) / 2 Output (Relay , N.O. / N.C.)
Power supply	DC 12V ±10%
Power consumption	4.5W
Operating temperature	0°C - + 50°C (32°F - 122°F)
Operating humidity	20% - 80% (non-condensing)
Dimension	136mm (D) x 130mm (W) x 44mm (H)
Weight	380g



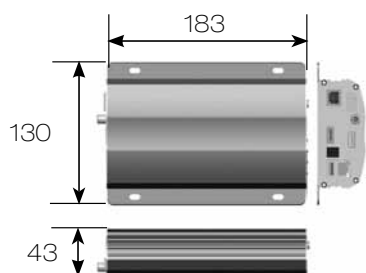
LILIN's innovative, award-winning standalone HD decoder — VD022 is the simple monitoring solution to connect to and display live images from LILIN IP cameras. In locations where only live video display is required — such as a store entrance, the VD022 provides the solution to connect a camera to your IP system. Without the HD decoder it would not be possible to view camera images on a monitor unless you used a PC or NVR (Network Video Recorder). In most environments this is not a feasible option; there is either no room for a PC to be positioned next to a monitor or it cannot be built into the surrounding wall or ceiling.

FEATURES :

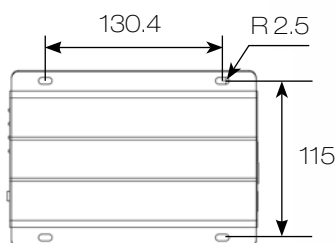
- 4-channel 1080P video decoder for IP cameras / 16-channel for a NVR / DVR
- Display one, nine / hex view for a NVR / DVR out of 256 NVRs / DVRs.
- Remote playback on NVR series
- TV wall application
- IP camera configuration by importing database from CMX
- IP camera recall without typing IP address
- Virtual matrix
- Multi touch screen support
- Remote playback
- Remote backup
- Alarm management
- Support iPhone, iPad, Android, BlackBerry

DIMENSIONS : (Unit : mm)

183 x 130 x 43



INSTALLATION HOLE SITE DIAGRAM :



SPECIFICATION :

Name		H.264 1080P Real-time IP Video Decoder
Model		VD022
IP video supports	IP video supports	LILIN IP camera, IP PTZ dome, NVR, and video server
	Video inputs	Up to 4-channel 1080P video decoder for IP cameras / 16-channel for NVR / DVR
	Network throughput	Up to 24Mbps
Matrix	Video input	IP camera recall / NVR or DVR recall / virtual matrix
	Remote playback	Yes
Alarm	Alarm mode	Alarm full screen for remote IP camera's or NVR's external alarm / motion detection
	Resolution	1080P / 720p / D1 / VGA
Video output	HDMI output	1920 x 1080P
	Backlight saving	LCD backlight saving mode
	Multi-touch	Support USB multi-touch screen
Multiplexer	Multiplexer	Freeze
	Split screen	1, 4 ,9 ,16
	Digital zoom	64x on live and NVR playback
Management	Reports	Full alarm, configuration, and operation reports exporting over HTTP or USB
	Authentication	User authentication with feature configurable
	Database	Grouping database imported from CMX Software
Alarm/event	Motion	Motion grid 20x12 each channel, and 8 sensitivities
	Event	External alarm, video loss, power recovering, motion detection, and logon
	Email	Alarm notification with JPEG attachments
Accessories	Accessories	Remote controller addressable up to 255 IP cameras and DVRs / NVRs
	Ptz protocol	LILIN MLP1/2 over HTTP
	Keyboards	PIH-931D keyboard
	IR receiver	Extra IR extension connector with remote controller
	Mouse	USB, right-mouse-click, mouse wheel
	Audio out	RCA, 1 output
	Remote controller	Yes
Network	Network ports	Gigabit LAN: RJ45 x1
	Network	Direct Internet browser access / multiple users access
	Protocols	ARP / TCP/IP / UDP / HTTP / SMTP / FTP / DDNS / PPPoE / RTSP / RTCP
	Web	Live / event log
	HD Video Decoder status	HTML HD Video Decoder status
Software	IPScan	IPScan supported, automatically quick IP address setup for IP cameras and VD022s
	Mobile phone	iPhone, iPad, BlackBerry, and Android Mobile phone supported
Others	Wdt	Hardware watchdog timer
	Dst	Daylight saving time
	Multilanguage	English, Chinese, French, German, Hungarian, Polish, Italian, Portuguese, Arabic, Russian, Turkish, Spanish, Simplified Chinese
	CPU/OS	ARM Cortex A9 Processor @ 600 MHz CPU, Linux 2.6 kernel
Power	Power	DC 12V/ 1.5A ,18W
	Working environment	Temp: 0°C - +50°C / Humidity: 0% - 80%
	Dimension	183 x 130 x 43 mm
	Weight	0.5kg



LILIN's free 72-channel VMS software – CMX, delivers a solid surveillance platform, offering many advanced features. CMX software is easy to use, and it is perfectly usable through, so that even non-technical users can utilize system functionality. The user interface of the CMX software features the standard 4x4 or 6x6 grid. Double-clicking a camera will enlarge it to full screen, while right clicking exposes contextual options to change video and recording settings. For monitoring on the move, there are a number of technologies available, For windows, Mac and Linux PCs, CMX comes with an integrated web server powered by a Java application. iPhone/iPad users can download an app called LILINViewer from iTunes app store. CMX provides all features necessary to build a powerful, but basic surveillance system.

FEATURES :

- Record and manage up to 72 channels of H.264/MJPEG HD IP cameras or DVR/NVR's cameras.
- Up to 72 channels IP cameras on two monitors for TV wall application
- eMap live video with alarm snapshots
- Video archiving & NAS recording
- Integrated alarm management for various alarm outputs
- Multiple channels playback for remote Network CMX
- Web server for live video
- iPhone and Android phones supported
- Retail and transportation business solutions
- Device grouping and recall
- Export recorded video to AVI file format
- Easy-to-use calendar and time selections for video playback
- User access levels configurable for groupings and features
- Complete operational event logs
- Two-way audio and audio recording
- Digital zoom, device ePTZ and ROI supported

SPECIFICATION :

Name	CMX 3.6 HD Software
Recording	
Recording	Schedule / Motion detection / manual recording
Live	Display up to 72 channels via two monitors
Speed	Max 3840X2160 at 30 FPS, 2592x1944 at 12 FPS, 2048x1536 at 15 FPS, 1080P at 30 FPS and ROI recording supported
Resolution	8M: 3840x2160, 5M: 2592x1944 / 3M: 2048x1536 / Full HD: 1920x1080 / HD: 1280x768 / D1: 720x480 / VGA: 640x384 / CIF: 320x240
Schedule	7 days x 24 hrs time table, recording mode configurable
Alarm recording	Face detection, audio detection, tampering, motion, DI alarm detection
Audio recording	Yes
Limited recording	Configurable for 1 – 180 days
RAID recording	Samba RAID, eSATA RAID, and Network Neighborhood supported
Playback	
Playback	Time search, event search, date search, POS SmartSearch, motion SmartSearch
Speed	FR: 2X, 4X, 8X, 16X 32X / FF: 2X, 4X, 8X, 16X, 32X
Compression	H.264 / JPEG
Multi-channel playback	Up to 36 channels
Remote CMX playback	Up to 36 channels
Remote DVR playback	Yes
Video input	
Video input	Managing up to 72 Merit LILIN IP cameras / DVR / NVR connections
Camera name	20 characters
Channel editing	Mouse drag-n-drop
Digital zoom	Yes, ePTZ supported
Grouping	User grouping authentication assignable for eMap, and CMX Software HD 3.6
Dual-screen	Up to 72-channel display
Live display	
Live display	Sequence
Split screen	4, 9, 16, 36
Dual stream technology	Multi-channel displays D1 and full screen displays 1080P/3M/5M resolution
TV wall	Dual monitors support up to 1080P/3M/5M 72 channels decoding
Video archiving	
Video archiving	Video archiving to RAID
Archiving	Individual camera configurable, scheduling and instant archiving
Alarm	
Alarm management	Alarm popup for full screen, PC sound, redirect IP camera DO, eMail snapshots, redirect a PTZ preset recall
Event	Various alarm log, video loss, stop recording, schedule, logon, operation log
Digital output	Controllable via IP cameras
Alarm recording	Pre-alarm:1 – 5 seconds and post-alarm: 5 – 50 seconds
Accessories	
P/ T/ Z protocol	LILIN PTZ controllable via HTTP
Audio	PCM, Two-way audio, audio recording
POS/barcode scanner	Yes
Keyboard	PIH-931D keyboard controllable via RS-485 for PTZ, ePTZ, and ROI features
Digital map	Digital map
Digital map	
eMap live monitoring	One channel for IP camera/multi-channel for DVR/NVR
eMap snapshot	Yes
PTZ control	Yes
DB manager	
Database	Database configuration import, export, report, and maintenance
Backup	
CMX/ DVR/ NVR	DVR remote backup, AVI conversion and JPEG snapshots
Remote backup	Multiple channels remote backup supported
Management	
Access log	Complete access log in database manager
User management	User authentication: three level: admin, operator, and guest, features configurable
Recording calculator	Yes, dynamically calculating available recording days
Network	
Web interface	Live video web interface
Mobile support	iPhone and Android
Protocols	ARP / TCP/IP / HTTP / SMTP / DNS / PPPoE
IPScan	Supported, easy-to-setup for IP address
Other	
DST	Daylight saving time by Windows OS
OS	Windows 8, Windows 7, Windows Vista, and Windows XP(64 bit recommended)
Language	English, Chinese, Spanish, French, Italian, Japanese, Russian, Portuguese, Simplified Chinese, Czech, Slovene, German, Turkish, Hungarian
CPU requirement	Minimum Intel Duo CPU 2.0 GHz or above
RAM requirement	4GB memory or above





LILIN VMS software – Navigator Enterprise 1.0 records and manages up to 108 cameras of H.264/MJPEG HD IP cameras or DVR/NVR's cameras. It can also support up to 108 channels IP cameras on multiple monitors for TV Wall application. Electronic Point of Sale (ePOS) is tied in with Navigator Enterprise 1.0 in such a way that alarms can be raised on events such as till drawers being left open. In addition, ANPR technology is integrated in Navigator Enterprise 1.0 software – it can read vehicle registration plates. Features like digital zoom, ePTZ, ROI, video archiving, and eMap live video are available in Navigator 1.0 software. Navigator Enterprise 1.0 comes handy to be installed at security managers' office and security control command center for total situational awareness.

FEATURES :

- Manage and record 108 IP cameras
- Integrated alarm management for various alarm outputs
- User-friendly UI and TV Wall application are supported
- 64bits program
- ONVIF Profiles S compliant
- System redundancy
- Advanced alarm scheduling & logic
- Support 4K UHD camera, 120FPS camera
- Support corridor mode and panoramic cameras
- Support web client.
- iPhone, iPad & Android support
- Perfect software for security checkpoints to perform flawless remote monitoring

SPECIFICATION :

Name	Navigator Enterprise	
Application	64bits	
Recording	Recording	Schedule / Motion detection / Manual recording
	Live	Up to 108 channels
	Speed	Up to 400Mbps upload and download
	Resolution	Up to 4K 30FPS and 2MP at 120FPS
	Schedule	7 day * 24 hrs time table, recording mode configurable
	Alarm recording	Face detection, audio detection, tampering, motion, DI alarm detection
	ONVIF	Licensing
	NAS	Yes
Playback	RAID failure notification	LSI driver integrated
	Playback	Time search, event search, date search, POS SmartSearch, and motion SmartSearch
	Speed	FR: 1/8, 1/4, 1/2, 1X, 2X, 4X, 8X, 16X, 32X / FF: 1/8, 1/4, 1/2, 1X, 2X, 4X, 8X, 16X, 32X
	Compression	H.264 / JPEG
	Search	Date, time, event, POS SmartSearch, motion SmartSearch, plate search (optional)
	Tagging	Video tagging for overwritten protection
	Multiple channel playback	Up to 36 channels & grouping playback
Video Input	Remote playback	Remote multiple channel playback for SD card, NVR/DVR, and Navigator
	Video Input	LILIN IP camera, LILIN IP speed dome, LIIN DVR/ NVR, Navigator Software live server
	Camera name	20 characters
	Channel editing	Mouse drag-n-drop
	Digital zoom	Yes, ePTZ supported for live and playback
	Low bandwidth mode	JPEG snapshot input and record
	Multiplexer	Sequence
	Split screen	4, 9, 16, 25, 36
	2 x 2 video wall	Yes
	Video decoder	LILIN VD022 for video wall
Alarm	Corridor mode	Yes
	Monitor outputs	Up to 8 monitors
	Alarm management	PC sound, redirect IP camera DO, eMail snapshots, redirect a PTZ preset recall
	Event	Various alarm log, video loss, stop recording, schedule, logon, operation log
Accessories	Digital output	Third party TCP/IP digital output supported.
	Alarm scheduling	Up to four alarm tables with AND logic
	P/T/Z protocol	ONVIF PTZ Supported
	Audio	PCM/G.711, two-way audio, audio recording
eMap	POS/barcode Scan/ATM	Third party TCP/IP RS-232 supported
	Keyboard	PIH-931D keyboard controllable via RS-485 for PTZ, ePTZ, and ROI features
	Number plate recognition	Optional
DB Manager	eMap live monitoring	Four channel for IP camera/multi-channel for NVR/DVR
	PTZ control	Yes
Remote Access	Alarm	Digital output controllable, snapshots, and alarm popup
	Database	Database configuration database import & export, CVS file, report, and maintenance
Backup	Event search filter	Yes
	Remote NAV Live video	Multiple channels of HD, SD, and low bitrate modes supported
	Remote DVR/NVR video	Multiple channels of DVR/NVR supported
Management	NAV/DVR/NVR	DVR remote backup, AVI conversion and JPEG snapshots
	Remote backup	Multiple channels remote backup supported
	Failure over	Up to 108 channels for 4 Navigators
	Archiving	Yes
Network	Access log	Complete access log in database manager
	User management	User authentication: three level: admin, operator, and guest, features configurable
	Recording calculator	Yes, dynamically calculating available recording days
Other	Navigator Client	Yes
	Web interface	Live web interface
	Mobile support	iPhone and Android
	Protocols	ARP / TCP/IP / RTSP / ONVIF / HTTP / SMTP / DNS / PPPoE
Other	IPScan	Supported, easy-to-setup for IP address
	DST	Daylight saving time by Windows OS
	Time sync	IP camera and NVR
	OS	Windows 7 Home, Windows Vista Home, and Windows XP Home
	Language	English, Chinese, Spanish, French, Italian, Japanese, Russian, Portuguese, Simplified Chinese, Czech, Slovene, German, Turkey, Hungarian, and Arabic
	CPU requirement	Intel E5 or I7
	RAM requirement	8GB memory



LILIN Video Management Software – Navigator Lite 1.0 records and manages up to 36 cameras of H.264/MJPEG HD IP cameras or DVR/NVR's cameras. It can also support up to 36 channels IP cameras on two monitors for TV Wall application with free of charge after register your account at a registry first at meritlilin.com. Electronic Point of Sale (ePOS) is tied in with Navigator 1.0 in such a way that alarms can be raised on events such as till drawers being left open. In addition, ANPR technology is integrated in Navigator 1.0 software – it can read vehicle registration plates. Features like digital zoom, ePTZ, ROI, video archiving, and eMap live video are available in Navigator 1.0 software. Navigator 1.0 comes handy to be installed at security managers' office and security control command center for total situational awareness.

FEATURES :

- Manage and record 36 IP cameras
- Integrated alarm management for various alarm outputs
- User-friendly UI and TV Wall application are supported
- 64bits program
- ONVIF Profiles S compliant
- System redundancy
- Advanced alarm scheduling & logic
- Support 5MP at 12 fps, and 2MP at 30 fps
- Support corridor mode and panoramic cameras.
- Support web client.
- iPhone, iPad & Android support
- Perfect software for security checkpoints to perform flawless remote monitoring

SPECIFICATION :

Name		Navigator Lite
Application		64bits
Recording	Recording	Schedule / Motion detection / Manual recording
	Live	Up to 36 channel after registration
	Speed	Up to 400Mbps upload and download
	Resolution	Up to 5MP 12 FPS, 2MP at 30 FPS
	Schedule	7 day * 24 hrs time table, recording mode configurable
	Alarm recording	Face detection, audio detection, tampering, motion, DI alarm detection
	ONVIF	None
	NAS	None
Playback	RAID failure notification	None
	Playback	Time search, event search, date search, POS SmartSearch, and motion SmartSearch
	Speed	FR: 1/8, 1/4, 1/2, 1X, 2X, 4X, 8X, 16X, 32X / FF: 1/8, 1/4, 1/2, 1X, 2X, 4X, 8X, 16X, 32X
	Compression	H.264 / JPEG
	Search	Date, time, event, POS SmartSearch, motion SmartSearch, plate search (optional)
	Tagging	None
	Multiple channel playback	Up to 36 channels & grouping playback
Video Input	Remote playback	Remote multiple channel playback for SD card, NVR/DVR, and Navigator
	Video Input	LILIN IP camera, LILIN IP speed dome, LIIN DVR/NVR, Navigator Software live server
	Camera name	20 characters
	Channel editing	Mouse drag-n-drop
	Digital zoom	Yes, ePTZ supported for live and playback
	Low bandwidth mode	JPEG snapshot input and record
	Multiplexer	Sequence
	Split screen	4, 9, 16, 36
	2 x 2 video wall	None
	Video decoder	None
	Corridor mode	Yes
Alarm	Monitor outputs	Up to 2 monitors
	Alarm management	PC sound, redirect IP camera DO, eMail snapshots, redirect a PTZ preset recall
	Event	Various alarm log, video loss, stop recording, schedule, logon, operation log
	Digital output	Controllable via LILIN IP camera DO
Accessories	Alarm scheduling	Up to one alarm table
	P/T/Z protocol	LILIN PTZ controllable via HTTP
	Audio	PCM/G.711, two-way audio, audio recording
	POS/barcode Scan/ATM	RS-232/PS/2
	Keyboard	PIH-931D keyboard controllable via RS-485 for PTZ, ePTZ, and ROI features
eMap	Number plate recognition	None
	eMap live monitoring	Four channel for IP camera/multi-channel for NVR/DVR
	PTZ control	Yes
DB Manager	Alarm	Digital output controllable, snapshots, and alarm popup
	Database	Database configuration database import & export, CVS file, report, and maintenance
Remote Access	Event search filter	Yes
	Remote NAV Live video	Multiple channels of HD, SD, and low bitrate modes supported
Backup	Remote DVR/NVR video	Multiple channels of DVR/NVR supported
	NAV/DVR/NVR	DVR remote backup, AVI conversion and JPEG snapshots
	Remote backup	Multiple channels remote backup supported
	Failure over	None
Management	Archiving	None
	Access log	Complete access log in database manager
	User management	User authentication: three level: admin, operator, and guest, features configurable
	Recording calculator	Yes, dynamically calculating available recording days
Network	Navigator Client	Yes
	Web interface	Live web interface
	Mobile support	iPhone and Android
	Protocols	ARP / TCP/IP / RTSP / ONVIF / HTTP / SMTP / DNS / PPPoE
Other	IPScan	Supported, easy-to-setup for IP address
	DST	Daylight saving time by Windows OS
	Time sync	IP camera and NVR
	OS	Windows 7 Home, Windows Vista Home, and Windows XP Home
	Language	English, Chinese, Spanish, French, Italian, Japanese, Russian, Portuguese, Simplified Chinese, Czech, Slovene, German, Turkey, Hungarian, and Arabic
	CPU requirement	Minimum Intel Duo CPU 2.0 GHz or above
RAM requirement	4GB memory	



LILIN NAV1108 108 Channel Recorder supports LILIN IP cameras, PTZ domes, and DVRs/NVRs. The recorder features up to 108 channels 1080P/3M/5M/8M network streaming, recording, and display, built-in dual port Gigabit Ethernet, and dual monitors support. It also supports multi-channels playback for remote or local. NAV1108 is capable of supporting multi-camera installations where LILIN cameras are installed, and NAV delivers a solid surveillance platform with offering all the basic features, as well as some of the more advanced ones that a basic security system requires.

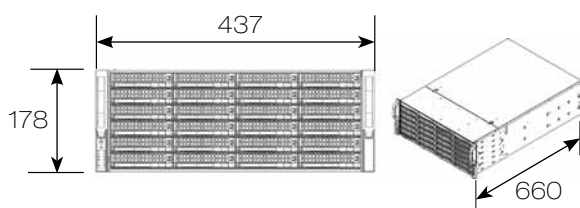
ePTZ feature and ePOS integration are also provided for free of charge. The maximum video speed can perform 3,840X2,160 at 30 frames per second, and support up to 6 monitors for TV Wall. Keyboard is controllable via RS-485 for PTZ, ePTZ, and ROI region of interest features. Two-way audio and recording are available.

FEATURES :

- ONVIF Profile S, LILIN IP cameras, PTZ domes, and DVRs/NVRs are supported.
- Up to 108 channels 1080P/3M/5M/8M Network streaming, recording, and display
- 4U 19" chassis, built-in hardware RAID system, support up to 24 x 3.5" hot-swap HDDs.
- Failover, video archive, record file sync. and SmartSearch support.
- Dual streamings decoding mode supported
- 6 monitors support, up to 36 channels Video display.
- Support multi-channels playback/record file backup for remote or local.
- Built-in dual port Gigabit Ethernet.

DIMENSIONS : (Unit : mm)

178 x 437 x 660



SPECIFICATION :

Name		NAV 108CH RECORDER
Model		NAV1108
Network video support		ONVIF Profile S, LILIN IP camera, LILIN IP PTZ dome, LIIN DVR/NVR, NAV Server
Network video input		Up to 108 channels at 1080P/3M/5M
Network video format		H.264 / MJPEG
Max Network throughput		Max. 500 Mbps download and 500 Mbps upload speed
Raid support		Hot-swap 3.5" SATA HDDx24
Recording	Schedule	7 days x 24 hrs time table, recording mode configurable
Recording mode	Recording mode	Alarm, motion, schedule, and manual
	Recording speed	Max 8MP 30fps, 5MP 12 fps, 3MP 15 fps, 1080p at 120 fps, and ROI recording supported
	Recording resolution	3840x2160, 2592x1944, 2048x1536, 1920x1080, 1280x1024, 1280x768, (720x480 / 720x576), 320x240
	Alarm recording	Face detection, audio detection, tamper, motion, DI alarm detection, and ANPR (optional)
	Audio recording	Yes
	Circular recording	Yes / size customizable
	Limited recording	Yes / days customizable
	Video archiving	Yes
	Low bitrate recording	Yes
Remote Network raid	Yes	
Playback	Search	Date, time, event, POS SmartSearch, motion SmartSearch, plate search (optional), record tagging
	Resolution	3840x2160, 2592x1944, 2048x1536, 1920x1080, 1280x1024, 1280x768, (720x480 / 720x576), 320x240
	Video speed	Max. 2592x1944 at 12Fps, 2048x1536 at 15Fps, 1080P at 30Fps
	Playback speed	FR: 1/8, 1/4, 1/2, 1X, 2X, 4X, 8X, 16X 32X / FF: 1/8, 1/4, 1/2, , 1X, 2X, 4X, 8X, 16X, 32X
	Backup	Max. 36 channels, AVI file format supported
	Remote video	NAV Server/Navigator Client/DVR/NVR/IP camera SD card supported, max. 36 channels
Video input	Support quantity	Max. 108 channels
	Camera name	20 characters
	Channel editing	Mouse drag-n-drop
	Digital zoom	Yes, ePTZ supported
	Grouping	User grouping authentication assignable for eMap, and Navigator 1.0
	Remote monitoring	Yes
Video output	HDMI output	x 1 / x 2 (Optional)
	DVI output	x 2 / x 4 (Optional)
	TV wall	3 monitors / 6 monitors(Optional), max. 108 channels
	Split screen	4, 9, 16, 25, 36
	Dual stream technology	Multi-channel displays D1 and full screen displays 1080P/3M/5M/8M resolution
	Multi-screen	3 screens / 6 screens (Optional)
Video archiving	Video archiving & sync.	Individual camera configurable, scheduling and instant archiving, sync recording data with NAV server/NVR/DVR/IP camera SD card.
Alarm / event	Alarm management	alarm popup for full screen, PC sound, redirect IP Camera's digital output, eMail snapshots, redirect a PTZ preset recall
	Alarm recording	pre-alarm:1 - 5 seconds and post-alarm: 5 - 50 seconds
	Event	various alarm log including video loss, stop recording, schedule, logon, operation log
	Digital output	controllable via IP cameras
Accessories	Keyboard	pH-931D keyboard controllable via RS-485 for PTZ, ePTZ, and ROI features
	Audio	pCM, Two-way audio, audio recording
	Pos/barcode scanner	rS-232 / PS/2
	Protocols	aRP / TCP/IP / HTTP / SMTP / DNS / PPPoE
	Mobile support	iPhone and Android
	IPScan	supported, easy-to-setup for IP address
Hardware	CPU	Intel® Xeon® processor E5-2620
	RAM	4GB DDR3-1333 x2, extendable up to 128GB
	Chipset	Intel® PCH C602
	Display card	nVidia GT650 or Higher x 1/ nVidia GT650 or Higher x 2 (Optional)
	USB port	USB 2.0x6
	Slim DVD-ROM	x1
	System FAN	80mm hot-swap PWM fans x 3 / 80mm rear exhaust fans x 2
	Raid control	LSISAS2108 RAID / On chip
	Raid mode	RAID 0, 1, 5, 6, 10, 50, and 60
	OS HDD	120GB SATA3 SSD x1
Other	Watch dog	NAV failover / NAV monitoring station
	DST	Daylight saving time by Windows OS
	Language	English, Chinese, Spanish, French, Italian, Japanese, Russian, Portuguese, Simplified Chinese, Czech, Slovene, German
	OS	Windows 7 professional
Power and environment	Power supply	920W high-efficiency (94%+) AC Input 100-240 V, 50-60 Hz, 11-4.5 Amp
	Redundant power supply	Redundant power supplies with PMBus
	Operating environment	Operating temperature range 5°C - 35°C (41°F - 95°F), Non-Operating temperature range -40°C - 70°C (-40°F - 158°F) Operating relative humidity range 8% - 90%, (non-condensing), Non-operating relative humidity range 5% - 95% (non-condensing)
	Dimension (HxWxD)	178 x 437 x 660mm
	Color	Black
	Weight	79.3 lbs (36kg)



LILIN NAV1072 72-Channel Recorder supports LILIN IP cameras, PTZ domes, and DVRs/NVRs. The recorder features up to 72 channels 1080P/3M/5M/8M network streaming, recording, and display, built-in dual port Gigabit Ethernet, and dual monitors support. It also supports multi-channels playback for remote or local.

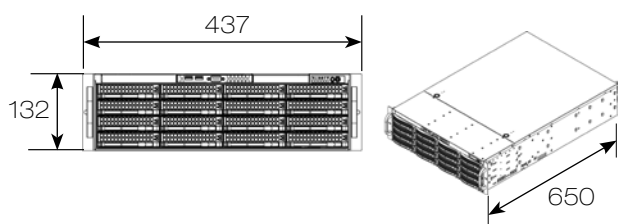
NAV1072 is capable of supporting multi-camera installations where LILIN cameras are installed, and NAV delivers a solid surveillance platform with offering all the basic features, as well as some of the more advanced ones that a basic security system requires. 3U 19" chassis, built-in hardware RAID system, support up to 16 x 3.5" hot-swap HDDs. Failover, video achieve, dual streamings decoding mode, SmartSearch are supported. Dual monitors support, up to 36 channels video display and built-in dual port Gigabit Ethernet.

FEATURES :

- ONVIF Profile S, LILIN IP cameras, PTZ domes, and DVRs/NVRs are supported.
- Up to 72 channels 1080P/3M/5M/8M Network streaming, recording, and display
- 3U 19" chassis, built-in hardware RAID system, support up to 16 x 3.5" hot-swap HDDs.
- Failover, video achieve, and SmartSearch support.
- Dual streamings decoding mode supported
- Dual monitors support, up to 36 channels Video display.
- Support multi-channels playback for remote or local.
- Built-in dual port Gigabit Ethernet.

DIMENSIONS : (Unit : mm)

132 x 437 x 650



SPECIFICATION :

Name		NAV 72CH RECORDER
Model no		NAV1072
Network video support		ONVIF Profile S, LILIN IP camera, LILIN IP PTZ dome, LIIN DVR/NVR, NAV Server
Network video input		Up to 72 channels at 1080P/3M/5M
Network video format		H.264 / MJPEG
Max Network throughput		Max. 500 Mbps download and 500 Mbps upload speed
Raid support		Hot-swap 3.5" SATA HDDx16
Recording	Schedule	7 days x 24 hrs time table, recording mode configurable
	Recording mode	Alarm, motion, schedule, and manual
Recording mode	Recording speed	Max 8MP 30fps, 5MP 12 fps, 3MP 15 fps, 1080p at 120 fps, and ROI recording supported
	Recording resolution	3840x2160, 2592x1944, 2048x1536, 1920x1080, 1280x1024, 1280x768, (720x480 / 720x576), 320x240
	Alarm recording	Face detection, audio detection, tamper, motion, DI alarm detection, and ANPR (optional)
	Audio recording	Yes
	Circular recording	Yes / size customizable
	Limited recording	Yes / days customizable
	Video archiving	Yes
	Low bitrate recording	Yes
	Remote Network raid	Yes
Playback	Search	Date, time, event, POS SmartSearch, motion SmartSearch, plate search (optional), record tagging
	Resolution	3840x2160, 2592x1944, 2048x1536, 1920x1080, 1280x1024, 1280x768, (720x480 / 720x576), 320x240
	Video speed	Max. 2592x1944 at 12Fps, 2048x1536 at 15Fps, 1080P at 30Fps
	Playback speed	FR: 1/8, 1/4, 1/2, 1X, 2X, 4X, 8X, 16X 32X / FF: 1/8, 1/4, 1/2, 1X, 2X, 4X, 8X, 16X, 32X
	Backup	Max. 36 channels, AVI file format supported
Video input	Remote video	NAV Server/Navigator Client/DVR/NVR/IP camera SD card supported, max. 36 channels
	Support quantity	Max. 72 channels
	Camera name	20 characters
	Channel editing	Mouse drag-n-drop
	Digital zoom	Yes, ePTZ supported
	Grouping	User grouping authentication assignable for eMap, and Navigator 1.0
Video output	Remote monitoring	Yes
	HDMI output	x1 / max. 1080P
	DVI / VGA output	DVI and VGA share same channel
	Tv wall	Dual screen, max. 72 channels
	Split screen	4, 9, 16, 25, 36
Video archiving	Dual stream technology	Multi-channel displays D1 and full screen displays 1080P/3M/5M/8M resolution
	Multi-screen	Dual-screen
Alarm / event	Video archiving & sync.	Individual camera configurable, scheduling and instant archiving, sync recording data with NAV server/NVR/DVR/IP camera SD card.
	Alarm management	Alarm popup for full screen, PC sound, redirect IP Camera's digital output, eMail snapshots, redirect a PTZ preset recall
	Alarm recording	Pre-alarm:1 - 5 seconds and post-alarm: 5 - 50 seconds
	Event	Various alarm log including video loss, stop recording, schedule, logon, operation log
Accessories	Digital output	Controllable via IP cameras
	Keyboard	PIH-931D keyboard controllable via RS-485 for PTZ, ePTZ, and ROI features
	Audio	PCM, Two-way audio, audio recording
	Pos/barcode scanner	RS-232 / PS/2
	Protocols	ARP / TCP/IP / HTTP / SMTP / DNS / PPPoE
	Mobile support	iPhone and Android
	Ipscan	Supported, easy-to-setup for IP address
Hardware	Cpu	Intel® Xeon® processor E5-2620
	Ram	4GB DDR3-1333 x2, extendable up to 128GB
	Chipset	Intel® PCH C602
	Display card	AMD HD 6000 series
	USB port	USB 2.0x6
	Slim DVD-ROM	x1
	System fan	80mm hot-swap PWM fans x 3, 80mm rear exhaust fans x 2
	Raid control	LSISAS2108 RAID On Chip
	Raid mode	RAID 0, 1, 5, 6, 10, 50, and 60
	OS HDD	120GB SATA3 SSD x1
Other	Watch dog	NAV failover / NAV monitoring station
	DST	Daylight saving time by Windows OS
	Language	English, Chinese, Spanish, French, Italian, Japanese, Russian, Portuguese, Simplified Chinese, Czech, Slovene, German
	OS	Windows 7 Professional
Power and environment	Power supply	500W high-efficiency AC Input: 100-240 V, 50-60 Hz, 6.1-2.6 Amp
	Redundant power supply	Redundant power supplies with PMBus
	Operating environment	Operating temperature range 5°C - 35°C (41°F - 95°F), Non-Operating temperature range -40°C - 70°C (-40°F - 158°F), Operating relative humidity range 8% - 90% (non-condensing), Non-operating relative humidity range 5% - 95% (non-condensing)
	Dimension (HXWXD)	132 x 437 x 650mm
	Color	Black
Weight	74.3 lbs (33.7kg)	





LILIN NAV 1036 36-channel recorder supports LILIN IP cameras, PTZ domes, and DVRs/NVRs. Up to 36 channels 1080P/3M/5M/8M network streaming, recording, and display. 2U 19" chassis, built-in hardware RAID system, support up to 8 x 3.5" hot-swap HDDs. Failover, video archive, and SmartSearch support. Dual streaming decoding mode supported.

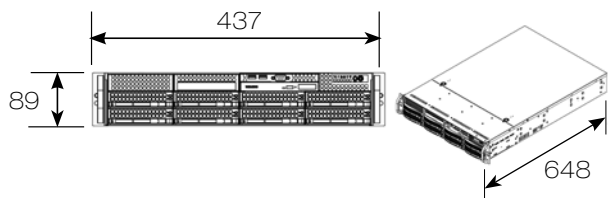
Dual monitors support, up to 36 channels video display. Support multi-channels playback for remote or local. Built-in dual port Gigabit Ethernet. Recording resolutions are 3,840 x 2,160, 2592 x 1944, 2048 x 1536, 1920 x 1080, 1280 x 1024, etc. NAV 1036 supports audio recording, circular recording, limited recording, video archiving, low bitrate recording, and remote network RAID.

FEATURES :

- ONVIF Profile S, LILIN IP cameras, PTZ domes, and DVRs/NVRs are supported.
- Up to 36 channels 1080P/3M/5M/8M Network streaming, recording, and display
- 2U 19" chassis, built-in hardware RAID system, support up to 8 x 3.5" hot-swap HDDs.
- Failover, video archive, record file sync., and SmartSearch support.
- Dual streamings decoding mode supported
- Dual monitors support, up to 36 channels Video display.
- Support multi-channels playback/record file backup for remote or local.
- Built-in dual port Gigabit Ethernet.

DIMENSIONS : (Unit : mm)

89 x 437 x 648



SPECIFICATION :

Name	NAV 36CH RECORDER	
Model	NAV1036	
Network video support	ONVIF Profile S, LILIN IP camera, LILIN IP PTZ dome, LIIN DVR/NVR, NAV Server	
Network video input	Up to 36 channels at 1080P/3M/5M	
Network video format	H.264 / MJPEG	
Max Network throughput	Max. 500 Mbps download and 500 Mbps upload speed	
Raid support	Hot-swap 3.5" SATA HDDx8	
Recording	Schedule	7 days x 24 hrs time table, recording mode configurable
Recording mode	Recording mode	Alarm, motion, schedule, and manual
	Recording speed	Max 8MP 30fps, 5MP 12 fps, 3MP 15 fps, 1080p at 120 fps, and ROI recording supported
	Recording resolution	3840x2160, 2592x1944, 2048x1536, 1920x1080, 1280x1024, 1280x768, (720x480 / 720x576), 320x240
	Alarm recording	Face detection, audio detection, tamper, motion, DI alarm detection, and ANPR (optional)
	Audio recording	Yes
	Circular recording	Yes / size customizable
	Limited recording	Yes / days customizable
	Video archiving	Yes
	Low bitrate recording	Yes
Remote Network raid	Yes	
Playback	Search	Date, time, event, POS SmartSearch, motion SmartSearch, plate search (optional)
	Resolution	3840x2160, 2592x1944, 2048x1536, 1920x1080, 1280x1024, 1280x768, (720x480 / 720x576), 320x240
	Video speed	Max 2592x1944 at 12 fps, 2048x1536 at 15Fps, 1080P at 30Fps
	Playback speed	FR: 1/8, 1/4, 1/2, X, 2X, 4X, 8X, 16X 32X / FF:1/8, 1/4, 1/2, 1X, 2X, 4X, 8X, 16X, 32X
	Backup	Max. 36 channels, AVI file format supported
	Remote video	NAV Server/Navigator Client/DVR/NVR/IP camera SD card supported, max. 36 channels
Video input	Support quantity	Max. 36 channels
	Camera name	20 characters
	Channel editing	Mouse drag-n-drop
	Digital zoom	Yes, ePTZ supported
	Grouping	User grouping authentication assignable for eMap, and Navigator 1.0
Video output	Remote monitoring	Yes
	HDMI output	x1 / max. 1080P
	DVI / VGA output	DVI and VGA share same channel
	TV wall	Dual screen, max. 36 channels
	Split screen	4, 9, 16, 25, 36
	Dual stream technology	Multi-channel displays D1 and full screen displays 1080P/3M/5M/8M resolution
Video archiving	Multi-screen	Dual-screen
	Video archiving & sync	Individual camera configurable, scheduling and instant archiving, sync recording data with NAV server/NVR/DVR/IP camera SD card.
Alarm / event	Alarm management	Alarm popup for full screen, PC sound, redirect IP Camera's digital output, eMail snapshots, redirect a PTZ preset recall
	Alarm recording	Pre-alarm:1 - 5 seconds and post-alarm: 5 - 50 seconds
	Event	Various alarm log including video loss, stop recording, schedule, logon, operation log
	Digital output	Controllable via IP cameras
Accessories	Keyboard	PIH-931D keyboard controllable via RS-485 for PTZ, ePTZ, and ROI features
	Audio	PCM Two-way audio, audio recording
	Pos/barcode scanner	RS-232 / PS/2
	Protocols	ARP / TCP/IP / HTTP / SMTP / DNS / PPPoE
	Mobile support	iPhone and Android
Hardware	IPScan	Supported, easy-to-setup for IP address
	CPU	Intel® Xeon® processor E5-2620
	RAM	4GB DDR3-1333 x2, extendable up to 128GB
	Chipset	Intel® PCH C602
	Display card	AMD HD 5450 or higher
	Usb port	USB 2.0x6
	Slim DVD-ROM	x1
	System FAN	80mm 6300 RPM hot-swap PWM fans x 3
	Raid control	LSISAS2108 RAID / On chip
	Raid mode	RAID 0, 1, 5, 6, 10, 50, 60
Other	OS HDD	120GB SATA3 SSD x1
	Watch dog	NAV failover / NAV monitoring station
	DST	Daylight saving time by Windows OS
	Language	English, Chinese, Spanish, French, Italian, Japanese, Russian, Portuguese, Simplified Chinese, Czech, Slovene, German
Power and environment	OS	Windows 7 Professional
	Power supply	500W high-efficiency AC Input: 100-240 V, 50-60 Hz, 6.1-2.6 Amp
	Redundant power supply	Redundant power supplies with PMBus
	Operating environment	Operating temperature range 5°C - 35°C (41°F - 95°F), Non-Operating temperature range -40°C - 70°C (-40°F - 158°F), Operating relative humidity range 8% - 90% (non-condensing), Non-operating relative humidity range 5% - 95% (non-condensing)
	Dimension (HxWxD)	89 x 437 x 648mm
	Color	Black
Weight	52.7 lbs(23kg)	



LILIN NAV 2036 36-channel recorder supports LILIN IP cameras, PTZ domes, and DVRs/NVRs. Up to 36 channels 1080P/3M/5M/8M network streaming, recording, and display. 2U 19" chassis, built-in software RAID system, support up to 6 x 3.5" built-in HDDs. video achieve, and SmartSearch support. Dual streaming decoding mode supported.

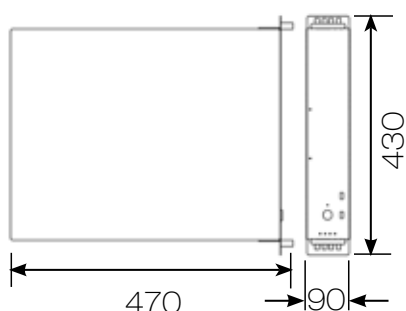
Dual monitors support, up to 36 channels video display. Support multi-channels playback for remote or local. Built-in dual port Gigabit Ethernet. Recording resolutions are 3,840 x 2,160, 2592 x 1944, 2048 x 1536, 1920 x 1080, 1280 x 1024, etc. NAV 2036 supports audio recording, circular recording, limited recording, video archiving, low bitrate recording, and remote network RAID.

FEATURES :

- LILIN IP cameras, PTZ domes, and DVRs/NVRs are supported.
- Up to 36 channels 1080P/3M/5M/8M Network streaming, recording, and display
- 2U 19" chassis, built-in software RAID system, support up to 6 x 3.5" built-in HDDs.
- Dual streamings decoding mode supported
- Dual monitors support, up to 36 channels Video display.
- Achieving management and record file sync.
- Support multi-channels playback/record file backup for remote or local.
- Built-in dual port Gigabit Ethernet.

DIMENSIONS : (Unit : mm)

90 x 430 x 470 mm



SPECIFICATION :

Name	NAV 36CH RECORDER	
Model	NAV2036	
Network video support	LILIN IP camera, LILIN IP PTZ dome, LILIN DVR/NVR, NAV live server	
Network video input	Up to 36 channels at 1080P/3M/5M/8M	
Network video format	H.264 / MJPEG	
Max Network throughput	Max. 500 Mbps download and 500 Mbps upload speed	
Raid support	Built-in 3.5" SATA HDDx6	
Recording	Schedule	7 days x 24 hrs time table, recording mode configurable
Recording mode	Recording mode	Alarm, motion, schedule, and manual
	Recording speed	Max 8MP 30fps, 5MP 12 fps, 3MP 15 fps, 1080p at 120 fps, and ROI recording supported
	Recording resolution	3840x2160, 2592x1944, 2048x1536, 1920x1080, 1280x1024, 1280x768, (720x480 / 720x576), 320x240
	Alarm recording	Face detection, audio detection, tamper, motion, DI alarm detection
	Audio recording	Yes
	Circular recording	Yes / size customizable
	Limited recording	Yes / days customizable
	Video archiving	Yes
	Low bitrate recording	Yes
Remote Network raid	Yes	
Playback	Search	Date, time, event, POS SmartSearch, motion SmartSearch, record tagging
	Resolution	3840x2160, 2592x1944, 2048x1536, 1920x1080, 1280x1024, 1280x768, (720x480 / 720x576), 320x240
	Playback speed	FR: 1/8, 1/4, 1/2, 1X, 2X, 4X, 8X, 16X 32X / FF: 1/8, 1/4, 1/2, 1X, 2X, 4X, 8X, 16X, 32X
	Backup	Max. 36 channels, AVI file format supported
	Remote video	Navigator Server/Navigator Client/DVR/NVR/IP camera SD card supported, max. 36 channels
Video input	Support quantity	Max. 36 channels
	Camera name	20 characters
	Channel editing	Mouse drag-n-drop
	Digital zoom	Yes, ePTZ supported
	Grouping	User grouping authentication assignable for eMap and Navigator 1.0
	Remote monitoring	Yes
Video output	HDMI output	x1 / max. 1080P
	DVI / VGA output	DVI and VGA share same channel
	TV wall	Dual screen, max. 36 channels
	Split screen	4, 9, 16, 25, 36
	Dual stream technology	Multi-channel displays D1 and full screen displays 1080P/3M/5M/8M resolution
	Multi-screen	Dual-screen
Video archiving	Video archiving & sync.	Individual camera configurable, scheduling and instant archiving, sync recording data with Navigator/NVR/DVR/IP camera SD card.
Alarm / event	Alarm management	Alarm popup for full screen, PC sound, redirect IP Camera's digital output, eMail snapshots, redirect a PTZ preset recall
	Alarm recording	Pre-alarm: 1 - 5 seconds and post-alarm: 5 - 50 seconds
	Event	Various alarm log including video loss, stop recording, schedule, logon, operation log
	Digital output	Controllable via IP cameras
Accessories	Keyboard	PIH-931D keyboard controllable via RS-485 for PTZ, ePTZ, and ROI features
	Audio	PCM Two-way audio, audio recording
	Pos/barcode scanner/ATM	RS-232 / PS/2
	Protocols	ARP / TCP/IP / HTTP / SMTP / DNS / PPPoE
	Mobile support	iPhone and Android
	IPScan	Supported, easy-to-setup for IP address
Hardware	CPU	Intel® processor i7-3770
	RAM	4GB DDR3-1333 x1, extendable up to 16GB
	Chipset	Intel® Q77 PCH
	Display card	Intel® HD Graphics 2000/3000 display card
	Usb port	USB 2.0x6
	System FAN	80mm 3200 RPM fans x 2
	Raid control	Intel On board
	Raid mode	RAID 0, 1, 5, 10
	OS HDD	32GB PCI-E DOM x1
Other	Watch dog	NAV monitoring station
	DST	Daylight saving time by Windows OS
	Language	English, Chinese, Spanish, French, Italian, Japanese, Russian, Portuguese, Simplified Chinese, Czech, Slovene, German
	OS	Windows embedded standard 7
Power and environment	Power supply	460W Power Supplies 80 PLUS Bronze
	Operating environment (Main board)	Operating temperature range 5°C - 35°C (41°F - 95°F), Non-Operating temperature range -20°C - 80°C (-68°F - 176°F), humidity range 0% - 95% (non-condensing)
	Dimension (HxWxD)	90 x 430 x 470 mm
	Color	Black
	Weight	22.97 lbs(10.42kg)



LILIN NAV 3025 25-channel recorder supports LILIN IP cameras, PTZ domes, and DVRs/NVRs. Up to 25 channels 1080P/3M/5M/8M network streaming, recording, and display. Tower chassis, Compact size, built-in software RAID system, support up to 4 x 3.5" HDD hot swap trays. video achieve, and SmartSearch support. Dual streaming decoding mode supported.

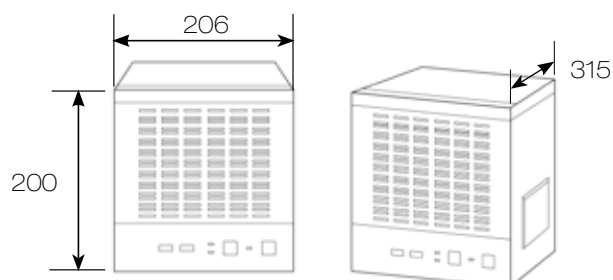
Single Screen support, up to 25 channels video display. Support multi-channels playback for remote or local. Built-in Gigabit Ethernet. Recording resolutions are 3,840 x 2,160, 2592 x 1944, 2048 x 1536, 1920 x 1080, 1280 x 1024, etc. NAV 3025 supports audio recording, circular recording, limited recording, video archiving, low bitrate recording, and remote network RAID.

FEATURES :

- LILIN IP cameras, PTZ domes, and DVRs/NVRs are supported.
- Up to 25 channels 1080P/3M/5M/8M Network streaming, recording, and display
- Tower chassis, Compact size, built-in software RAID system, support up to 4 x 3.5" HDD hot swap trays.
- Dual streamings decoding mode supported
- Single Screen support, up to 25 channels Video display.
- Achieving management and record file sync.
- Support multi-channels playback/record file backup for remote or local.
- Built-in Gigabit Ethernet port.

DIMENSIONS : (Unit : mm)

200 x 206 x 315 mm



SPECIFICATION :

Name		NAV 25CH RECORDER
Model		NAV3025
Network video support		LILIN IP camera, LILIN IP PTZ dome, LILIN DVR/NVR, NAV live server
Network video input		Up to 25 channels at 1080P/3M/5M/8M
Network video format		H.264 / MJPEG
Max Network throughput		Max. 250 Mbps download and 250 Mbps upload speed
Raid support		4 x 3.5" HDD hot swap trays
Recording	Schedule	7 days x 24 hrs time table, recording mode configurable
Recording mode	Recording mode	Alarm, motion, schedule, and manual
	Recording speed	Max 8MP 30fps, 5MP 12 fps, 3MP 15 fps, 1080p at 120 fps, and ROI recording supported
	Recording resolution	3840x2160, 2592x1944, 2048x1536, 1920x1080, 1280x1024, 1280x768, (720x480 / 720x576), 320x240
	Alarm recording	Face detection, audio detection, tamper, motion, DI alarm detection
	Audio recording	Yes
	Circular recording	Yes / size customizable
	Limited recording	Yes / days customizable
	Video archiving	Yes
	Low bitrate recording	Yes
Remote Network raid	Yes	
Playback	Search	Date, time, event, POS SmartSearch, motion SmartSearch, record tagging
	Resolution	3840x2160, 2592x1944, 2048x1536, 1920x1080, 1280x1024, 1280x768, (720x480 / 720x576), 320x240
	Playback speed	FR: 1/8, 1/4, 1/2, 1X, 2X, 4X, 8X, 16X 32X / FF: 1/8, 1/4, 1/2, 1X, 2X, 4X, 8X, 16X, 32X
	Backup	Max. 25 channels, AVI file format supported
	Remote video	Navigator Server/Navigator Client/DVR/NVR/IP camera SD card supported, max. 25 channels
Video input	Support quantity	Max. 25 channels
	Camera name	20 characters
	Channel editing	Mouse drag-n-drop
	Digital zoom	Yes, ePTZ supported
	Grouping	User grouping authentication assignable for eMap and Navigator 1.0
	Remote monitoring	Yes
Video output	HDMI output	x1 / max. 1080P
	DVI / VGA output	DVI and VGA share same channel
	TV wall	Single Screen, max. 25 channels
	Split screen	4, 9, 16, 25
	Dual stream technology	Multi-channel displays D1 and full screen displays 1080P/3M/5M/8M resolution
	Multi-screen	Single Screen
Video archiving	Video archiving & sync.	Individual camera configurable, scheduling and instant archiving, sync recording data with Navigator/NVR/DVR/IP camera SD card.
Alarm / event	Alarm management	Alarm popup for full screen, PC sound, redirect IP Camera's digital output, eMail snapshots, redirect a PTZ preset recall
	Alarm recording	Pre-alarm:1 - 5 seconds and post-alarm: 5 - 50 seconds
	Event	Various alarm log including video loss, stop recording, schedule, logon, operation log
	Digital output	Controllable via IP cameras
Accessories	Keyboard	PIH-931D keyboard controllable via RS-485 for PTZ, ePTZ, and ROI features
	Audio	PCM Two-way audio, audio recording
	Pos/barcode scanner/ATM	RS-232 / PS/2
	Protocols	ARP / TCP/IP / HTTP / SMTP / DNS / PPPoE
	Mobile support	iPhone and Android
	IPScan	Supported, easy-to-setup for IP address
Hardware	CPU	Intel® processor i3-4150
	RAM	4GB DDR3-1333 x1, extendable up to 16GB
	Chipset	Intel® H87/H97 Express
	Display card	Intel® HD Graphics 4400 display card
	Usb port	USB 2.0x6
	System FAN	110mm fans x 1
	Raid control	Intel On board
	Raid mode	RAID 0, 1, 5, 10
	OS HDD	32GB SATA DOM x1
Other	Watch dog	NAV monitoring station
	DST	Daylight saving time by Windows OS
	Language	English, Chinese, Spanish, French, Italian, Japanese, Russian, Portuguese, Simplified chinese Chinese, Czech, Slovene, German
	OS	Windows embedded standard 7
Power and environment	Power supply	250W Power Supplies 80 PLUS Bronze
	Operating environment (Main board)	Operating temperature range 5°C - 35°C (41°F - 95°F), Non-Operating temperature range -20°C - 80°C (-68°F - 176°F), humidity range 0% - 95% (non-condensing)
	Dimension (HxWxD)	200 x 206 x 315 mm
	Color	Black
	Weight	12.13 lbs(5.5kg)



ANPR-FL is perfect technology to read vehicle registration plates suitable for moving cars. ANPR (Automated Number Plate Recognition) is able to read the registration number and characters of vehicles from digital pictures. LILIN's ANPR system allows versatile and client-specific applications such as comparison of number plates with a Blacklist, Whitelist, and Exclusion List. ANPR software configuration dongle device on NVRs are able to capture license plate numbers and transit images back to NVRs in central control room in identifying and screening each vehicle to enter the property.

ANPR-PK is perfect technology to read vehicle registration plates suitable for parking facilities specifically. ANPR (Automated Number Plate Recognition) is able to read the registration number and characters of vehicles from digital pictures. LILIN's ANPR system allows versatile and client-specific applications such as comparison of number plates with a Blacklist, Whitelist, and Exclusion List. ANPR software configuration dongle device on NVRs are able to capture license plate numbers and transit images back to NVRs in central control room in identifying and screening each vehicle to enter the property.

FEATURES :

ANPR-FL

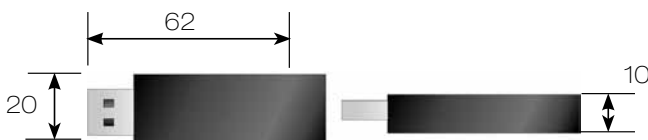
- Full HD ANPR system for free flow
- Support up to 8 channels 1080P resolution for recognition at 15 FPS.
- Recognition up to 4 plates per image
- Black list, white list, and exclusion list triggering various alarm outputs
- Character size and length configurable
- Text overlay for number plates on live and playback
- License plate JPEG snapshots for playback

ANPR-PK

- Full HD ANPR system for parking solution
- Support up to 1 channels 1080P resolution for recognition at 15 FPS.
- Detection interval up to 6 seconds for parking solution
- Recognition up to 1 plates per image
- Black list, white list, and exclusion list triggering various alarm outputs
- Character size and length configurable
- Text overlay for number plates on live and playback
- License plate JPEG snapshots for playback

DIMENSIONS : (Unit : mm)

62 x 20 x 10



SPECIFICATION :

Name	ANPR Software
Model	ANPR-FL Free flow
License key	Included
Support channels	Up to 8 channels at 1080P **
Detection speed	0.2 Second / recognition
Support resolutions	Full HD: 1920 x 1080 / HD: 1280 x 768 / D1: 720 x 480 / VGA: 640 x 384 / CIF 320 x 240
Multiple lane recognition	Up to 4 plates per image
Character size	Minimum and maximum pixel heights configurable
License plate character length	Configurable
Detection area	User configurable
Black list	Alarm triggering and plate text recording
White list	Alarm triggering and plate text recording
Character length	Configurable
Exclusion list	Configurable
Character size	Configurable
Countries supported	USA and Canada: state detectable / Australia: state detectable / China: province detectable Europe: Europe country detectable / Arabic: Arabic country detectable Taiwan and other countries
Playback	
Quick search	Yes
License capture	PIP and OSD text overlay
Video input	
Camera source	IP cameras / IP video encoder
Alarm	
Alarm management on detection	Alarm popup for full screen, PC sound, redirect IP camera DO,eMail snapshots, redirect a PTZ preset recall, LILIN Netowrk I/O Box
Event	Various alarm log, video loss, stop recording, schedule, logon, operation log
Digital output	controllable via IP cameras or LILIN Netowrk I/O Box
Alarm recording	Pre-alarm : 1 - 5 seconds and post-alarm: 5 - 50 seconds
Database	
Vehicle information	Plate number state / province, color, and list
Backup	
Backup	AVI conversion with number plate OSD and JPEG snapshots
System requirement	
Cpu requirement	Minimum Intel i5 CPU 2.0 GHz or above
Ram requirement	4GB memory
Hdd requirement	20GB free size

Name	ANPR SOFTWARE
Model	ANPR-PK Parking solutions
CMX license key	Included
Support channels	1
Detection speed	6 seconds / recognition
Support resolutions	Full HD: 1920 x 1080 / HD: 1280 x 768 / D1: 720 x 480 / VGA: 640 x 384 / CIF 320 x 240
Multiple lane recognition	Up to 1 plates per image
Character size	Minimum and maximum pixel heights configurable
License plate character length	Configurable
Detection area	None
Black list	Alarm triggering and plate text recording
White list	Alarm triggering and plate text recording
Character length	Configurable
Exclusion list	Configurable
Character size	Configurable
Countries supported	None
Playback	
Quick search	Yes
License capture	PIP and OSD text overlay
Video input	
Camera source	IP cameras / IP video encoder
Alarm	
Alarm management on detection	Alarm popup for full screen, PC sound, redirect IP camera DO,eMail snapshots, redirect a PTZ preset recall, LILIN Netowrk I/O Box
Event	Various alarm log, video loss, stop recording, schedule, logon, operation log
Digital output	controllable via IP cameras or LILIN Netowrk I/O Box
Alarm recording	Pre-alarm : 1 - 5 seconds and post-alarm: 5 - 50 seconds
Database	
Vehicle information	Plate number, color, and list
Backup	
Backup	AVI conversion with number plate OSD and JPEG snapshots
System requirement	
Cpu requirement	Minimum Intel i5 CPU 2.0 GHz or above
Ram requirement	4GB memory
Hdd requirement	20GB free size



PMH-IP01



PMH-IP01H



FEATURES :

PMH-IP01

- Send IP camera signal over existing coaxial cable.
- Passive, no power required.
- Exceeds 802.3 10BaseT specifications, isolating the receiver from the transmitted signal.
- Transmission up to 200 meters (Max).

PMH-IP01H

- 4 Port Ethernet Switch with 4 port BNC and 1 port RJ45.
- RJ45 terminal support 10/100Mbps auto detect function
- BNC terminal support 10Mbps, must work with IP01.
- LED indication: Link/Active, Power.
- Complies with standard IEEE802.3 and IEEE802.3u.
- Auto MDI/MDI-X auto cross at RJ45 terminal.

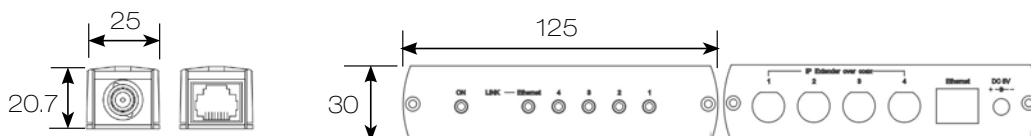
SPECIFICATION :

Name	IP CABLING TRANSMISSION
Model	PMH-IP01
Network input	RJ45 x 1
Link connector	BNC x 1
Impedance	50Ω to dual 100Ω or 75Ω to dual 100Ω or 93Ω to dual 100Ω
Crosstalk	> 30 dB
Cable	Coax cable (RG59) max. 200m
Dimensions	64x25x20.7mm
Weight	25g

Name	IP CABLING TRANSMISSION
Model	PMH-IP01H
Speed	10/100M
Connector	BNC x 4, RJ45 x 1
Power supply	DC5V 1A
Power consumption	500mA
Storage temperature	-30°C - 70°C
Operation temperature	-10°C - 45 °C
Dimensions	125x122.2x30mm
Weight	375g
Material	Metal black

DIMENSIONS : (Unit : mm)

PMH-IP01 : 64x25x20.7 / PMH-IP01H : 125x122.2x30





PMH-POE570WAT

5-PORT 10M/100M DESKTOP POE FAST ETHERNET SWITCH, IEEE802.3AT
(70W / POWER MANAGED)



FEATURES :

- 5 Port 10/100M Nway (Auto-negotiation) Switch
- 4 PSE/PoE function ports
- IEEE 802.3 af/at
- Supporting the power Max. 30 W for each PSE/PoE port Palm with metal case with external power
- Auto-detect full/half-duplex modes for any port
- Dedicated full-duplex 200Mbps bandwidth Store-and-Forward switching methods
- IEEE 802.3x flow control for full-duplex and back-pressure flow control for half-duplex
- Non-blocking full wire speed forwarding Auto-MDI/MDI-X function for any port
- License plate JPEG snapshots for playback

SPECIFICATION :

Standards	IEEE 802.3af/at / IEEE 802.3 10BaseT / IEEE 802.3u 100BaseTX / IEEE 802.3x Flow control
Transmission Media	Cat. 5/5e/6 UTP/STP
LED Indicators	Per Port: Link/Act, PoE Act/Status Per Unit: Power
Power Output/Input	48V/DC Input/Output
Power Consumption	70 Watts (Max)
Dimensions	130 x 97 x 24 mm (L x W x H)
Weight	1.3 kg
Operating Temperature	0 to 45°C
Storage Temperature	-20 to 90°C
Humidity	10 to 90% RH (non-condensing)
Certifications	FCC Class A, CE

DIMENSIONS : (Unit : mm)

130 x 97 x 24





FEATURES :

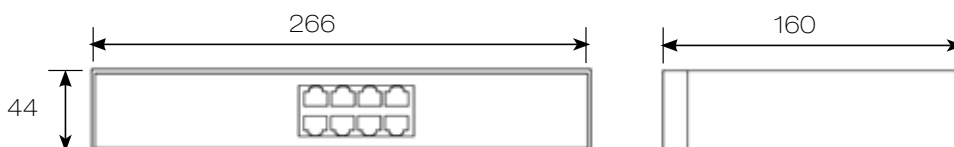
- 8 Port 10/100M Nway (Auto-negotiation) Switch
- 8 PSE/PoE function ports
- Supporting the power Max. 15.4 W for each PSE/PoE port
- 11" Desktop size with metal case
- Can be installed in a 19" cabinet by rack-mount kits
- Auto-learn of networking configurations
- Auto-detect full/half-duplex modes for any port
- Dedicated full-duplex 200Mbps bandwidth
- Store-and-Forward switching methods
- IEEE 802.3x flow control for full-duplex and back-pressure flow control for half-duplex
- Non-blocking & Non-head-of-line blocking full wire speed forwarding
- Auto-MDI/MDI-X function for any port / Smart plug & play

SPECIFICATION :

Standards	IEEE 802.3af / IEEE 802.3 10BaseT / IEEE 802.3u 100BaseTX / IEEE 802.3x Flow control
Filtering/Forwarding Rates	100Mbps port - 148,800pps 10Mbps - 14,880pps"
Transmission Media	10BaseT Cat. 3, 4, 5 UTP/STP 100BaseTX Cat. 5 UTP/STP"
LED Indicators	Per Port: LINK/ACT, PoE ACT/Status Per Unit: Power"
Power Input	100 - 240V/AC, 50 - 60Hz
Power Output	48V/DC Per Port Output -15.4 W Max Per Port 8 Ports at Full 15.4 W Output Supported
Power Consumption	130 Watts (Max)
Dimensions	266 x 160 x 44 mm (L x W x H)
Weight	1.6 kg
Operating Temperature	0 to 55°C
Storage Temperature	-20 to 90°C
Humidity	10 to 90% RH (non-condensing)
Certifications	FCC Class A, CE

DIMENSIONS : (Unit : mm)

266 x 160 x 44





FEATURES :

- 8- Port 10/100M Switch with 4 PSE/PoE function ports (5-8 ports)
- Supporting the power Max. 30 W for each PSE/PoE port
- 19" rack-mount size
- Auto-detect full/half-duplex modes for any port
- Dedicated full-duplex 200Mbps bandwidth
- Store-and-Forward switching methods
- IEEE 802.3x flow control for full-duplex and back-pressure flow control for half-duplex
- Non-blocking full wire speed forwarding
- Auto-MDI/MDI-X function for any port

SPECIFICATION :

Standards	IEEE 802.3at /af / IEEE 802.3 10BaseT / IEEE 802.3u 100BaseTX / IEEE 802.3x Flow control
Filtering / Forwarding Rates	100Mbps port - 148,800pps / 10Mbps - 14,880pps ^a
Transmission Media	10BaseT Cat. 3, 4, 5 UTP/STP / 100BaseTX Cat. 5 UTP/STP ^a
LED Indicators	Per Port: LINK/ACT, PoE ACT/Status / Per Unit: Power ^a
Power Input	100 - 240V/AC, 50 - 60Hz
Power Output	48V/DC Per Port Output -30 W Max Per Port 4 Ports at Full 30 W Output Supported
Power Consumption	130 Watts (Max)
Dimensions	440 x 220 x 44 mm (L x W x H)
Weight	3.8 kg
Operating Temperature	0 to 45°C
Storage Temperature	-20 to 90°C
Humidity	10 to 90% RH (non-condensing)
Certifications	FCC Class A, CE

DIMENSIONS : (Unit : mm)

440 x 220 x 44





FEATURES :

- 8- Port 10/100M (Auto-negotiation) Switch
- 8 PSE/PoE function ports
- Supporting the power Max. 30 W for each PSE/PoE port
- 19" rack-mount size
- Auto-detect full/half-duplex modes for any port
- Dedicated full-duplex 200Mbps bandwidth
- Store-and-Forward switching methods
- IEEE 802.3x flow control for full-duplex and back-pressure flow control for half-duplex
- Non-blocking full wire speed forwarding
- Auto-MDI/MDI-X function for any port

SPECIFICATION :

Standards	IEEE 802.3at / IEEE 802.3 10BaseT / IEEE 802.3u 100BaseTX / IEEE 802.3x Flow control
Filtering/Forwarding Rates	100Mbps port - 148,800pps 10Mbps - 14,880pps
Transmission Media	10BaseT Cat. 3, 4, 5 UTP/STP 100BaseTX Cat. 5 UTP/STP
LED Indicators	Per Port: LINK/ACT, PoE ACT/Status Per Unit: Power
Power Input	100 - 240V/AC, 50 - 60Hz
Power Output	48V/DC Per Port Output - 30 W Max Per Port 8 Ports at Full 30 W Output Supported
Power Consumption	130/260 Watts (Max)
Dimensions	440 x 220 x 44 mm (L x W x H)
Weight	2.6kg/3.8 kg
Operating Temperature	0 to 45°C
Storage Temperature	-20 to 90°C
Humidity	10 to 90% RH(non-condensing)
Certifications	FCC Class A, CE

DIMENSIONS : (Unit : mm)

440 x 220 x 44





FEATURES :

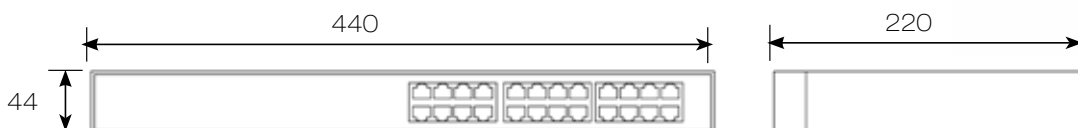
- Complies with the IEEE802.3 Ethernet, IEEE802.3u Fast Ethernet and IEEE 802.3ab Gigabit Ethernet Standards
- 16 /24 Port 10/100/1000M Nway (Auto-negotiation) Switch
- 19" rack-mount size
- Non-blocking & Non-head-of-line blocking full wire speed forwarding
- Store-and-forward operation support
- Supports 9.6 KB JUMBO packet
- Provides 8K MAC address entry
- Supports broadcast storm filtering
- All ports provide Auto-Negotiation and Auto-MDI/ MDI-X functions
- Supports flow control: Back pressure for Half-duplex and IEEE 802.3x for Full-duplex mode
- Smart plug & play

SPECIFICATION :

Standards	IEEE 802.3 10BaseT / IEEE 802.3u 100BaseTX / IEEE 802.3ab 1000BaseT / IEEE 802.3x Flow control
Filtering/Forwarding Rates	1000Mbps port - 1,488,000pps / 100Mbps port - 148,800pps / 10Mbps - 14,880pps
Transmission Media	10BaseT Cat. 3, 4, 5 UTP/STP / 100BaseTX Cat. 5 UTP/STP / 1000BaseT Cat. 5E UTP/STP
LED Indicators	Per Port: LINK/ACT, 1000M / Per Unit: Power
Power Requirement	90 - 260V/AC, 50 - 60Hz
Power Consumption"	20 Watts (Max)
Dimensions	440 x 220 x 44 mm (L x W x H)
Weight	2.9 kg /3 kg
Operating Temperature	0 to 45°C
Storage Temperature	-20 to 90°C
Humidity	10 to 90% RH (non-condensing)
Certifications	FCC Class B, CE
FE/GE	GE
RJ-45 Port	24
Buffer Memory	500 Kbits
MAC Address Table Size	8K
Switching Capacity	48Gbps

DIMENSIONS : (Unit : mm)

440 x 220 x 44





PMH-POE16260WAT

16-PORT 10/100M POE + 2 GIGABIT COPPER/SFP COMBO RACK-MOUNT WEB SMART POE SWITCH



PMH-POE16260WAT is a Web Smart Gigabit Ethernet Switch with 16 10/100M Power over Ethernet (Poe) Ports plus 2 Combo Gigabit Copper/SFP Ports. With its IEEE 802.3at PoE compliance, PMH-POE16260WAT can provide a maximum 260 Watt power consumption per system. PMH-POE16260WAT also provides exceptionally smart Web management features including VLAN, QoS, RSTP, IGMP snooping, LACP, Port Security, etc. Comes with rack-mount brackets, PMH-POE16260WAT's 19-inch size will fit into your rack frame perfectly. PMH-POE16260WAT is a superb choice for boosting medium or large network environment and providing better performances and efficiencies.

IEEE 802.3at Power over Ethernet (PoE) ports

Featuring IEEE 802.3at Power over Ether (PoE) standard, PMH-POE16260WAT can supply power up to 260 Watts. It can also convert standard 100~240 Volts of AC power into low-voltage DC power that runs over existing LAN cable to power IEEE 802.3at compliant network devices. Also, PMH-POE16260WAT features PoE-awareness for verifying if the receiving end of any network device is IEEE 802.4at compliant. If not, only data packets will be sent to that given network device through LAN cable. With PMH-POE16260WAT installed to your existing network environment, adding new network devices such as Access Points and IP Cameras will be easy and manageable, which means these devices can be easily deployed and the network administrators do not have to use heavy AC power adapters for power supply anymore.

PMH-POE16260WAT features a web page management interface which can access via web browsers such as IE, Chrome, and Firefox. This management web page is ideal for simple network configurations and includes basic network monitoring tools to improve network efficiency. Through this management web page, an administrator can configure VLAN for network traffic segregation, QoS for mission-critical data prioritizing, RSTP/Loop Protection for avoiding network loop, Link Aggregation for creating fat traffic pipelines, Bandwidth Control for limiting traffic load, and Port Security for securing your network. All these features provide extra network protection, and the management web page (protected by login password) can be accessed remotely via any PC on the network.

FEATURES :

- 16-Port 10/100BaseT(X) with 16 PoE + 2-Port Gigabit Copper/SFP Combo Uplink
- IEEE 802.3at PoE+, up to 30W per port
- Maximum 260W power consumption
- Web-based Configuration and Management
- VLAN, QoS, RSTP, IGMP Snooping, LACP, Port Security, Bandwidth Control, Storm Control
- 19" Rack-mount

DIMENSIONS : (Unit : mm)

44 × 440 × 220



SPECIFICATION :

Name	16-port 10/100M PoE + 2 Gigabit Copper/SFP Combo Rack-mount Web Smart PoE Switch
Model	PMH-POE16260WAT
Standards	Ethernet: IEEE 802.3 10BaseT, IEEE 802.3u 100BaseTX, IEEE 802.3ab 1000BaseT, IEEE 802.3z 1000BaseSX/LX IEEE 802.3x Flow Control IEEE 802.3ad Link Aggregation Control Protocol IEEE 802.1Q VLAN IEEE 802.1p Class of Service IEEE 802.1D Spanning Tree Protocol IEEE 802.1w Rapid Spanning Tree Protocol IEEE 802.3at Power Over Ethernet (PoE+)
Features	Number of Ports: 18 10/100BaseTX with RJ-45 Connectors: 16 port with PoE+ Gigabit Uplink: 2x 10/100/1000BaseT RJ-45 / Gigabit SFP Combo Port MAC Address: 4K Buffer Memory: 2.75Mb Transmission Method: Store and Forward
Smart Features	Port Based VLAN: 18 Tagged Based VLAN: 32, VID = 1~4094 STP/RSTP IGMP Snooping V1&V2 Link Aggregation: 1, Gigabit Ports Quality of Service(QoS): High & Low queues, 802.1p Security: Port & MAC binding, 3 MAC per port Port: Port State, Speed/Duplex, Flow Control Port Mirroring Bandwidth Control Broadcast Storm Control PoE Control: PoE Port Enable/Disable, PoE Status Management: Web Management, password protected access, Configuration backup/restore, TFTP firmware upgrade
Filtering/Forwarding Rates	1000Mbps port - 1,488,000pps 100Mbps port - 148,800pps, 10Mbps port - 14,880pps
Transmission Media	10/100BaseTX Cat. 5 UTP/STP 1000BaseT Cat. 5 / Cat. 5E UTP/STP
LED Indicators	Per Port: Link/Act, PoE : Act / Status, Per Unit: Power
Power Input	100~240 V/AC, 50~60Hz
Power Output	53V DC Per Port Output
Power Consumption	260 Watts
Dimensions	44 x 440 x 220 mm (H x W x D)
Operating Temperature	0 to 40 °C
Storage Temperature	-20 to 90 °C
Humidity	10 to 90% RH (non-condensing)
Certifications	FCC Class A, CE
Weight	4.2kg



PMH-POE24390WAT

24-PORT 10/100M POE + 2 GIGABIT COPPER/SFP COMBO RACKMOUNT WEB SMART POE SWITCH



PMH-POE24390WAT-at is 24-port 10/100M with PoE + 2 Gigabit Copper/SFP Combo ports Rack-mount Web Smart PoE Switch, the switch supports IEEE 802.3at Power over Ethernet standard, maximum 390W power consumption per system. The switch also provides exceptionally smart Web management features, such as VLAN, QoS, RSTP, IGMP Snooping, LACP, Port Security...etc. The switch is standard 19" rack-mount design to fit into the rack environment. With these features, the switch is a superb choice for medium or large network environment to strengthen its network connection and efficiency.

IEEE 802.3at Power over Ethernet (PoE) ports

PMH-POE24390WAT-at features 24-port PoE+ IEEE 802.3at supplying up to 30 watts per port. This product can convert standard 100~240V/AC power into low-voltage DC that runs over existing LAN cable to power up IEEE 802.3at compliant network accessories. By adding PMH-POE24390WAT-at to existing networking, installing networking products such as Access Points and IP cameras can be easily managed and set up. Wireless device deployments are easily located with available power outlets and network administrators don't need to use heavy AC power adapters

The PMH-POE24390WAT-at features management interface that can be managed through Web Browser and it provides Smart features that are ideal for simple network applications and basic monitoring tools to improve network efficiency. Through a Web-based interface, an administrator can set up VLANs to segregate traffic, QoS to prioritize mission-critical data, RSTP/Loop Protection to avoid network loop, link aggregation to create fat traffic pipelines, bandwidth control to limit traffic load and Port Security to secure your network. All of these features offer extra protection on the network edge. Best of all, the password-protected configuration interface can be accessed remotely.

FEATURES :

- 24-Port 10/100Base-TX with PoE + 2-Port Gigabit Copper/SFP Combo Uplink
- IEEE 802.3at PoE+, up to 30W per port
- Maximum 390W power consumption
- Web-based Configuration and Management
- VLAN, QoS, RSTP, IGMP Snooping, LACP, Port Security, Bandwidth Control, Storm Control
- 19" Racmount

DIMENSIONS : (Unit : mm)

44x440x332



SPECIFICATION :

Name	24-port 10/100M PoE + 2 Gigabit Copper/SFP Combo Rackmount Web Smart PoE Switch
Model	PMH-POE24390WAT
Standards	Ethernet: IEEE 802.3 10BaseT, IEEE 802.3u 100BaseTX, IEEE 802.3ab 1000BaseT, IEEE 802.3z 1000BaseSX/LX IEEE 802.3x Flow Control IEEE 802.3ad Link Aggregation Control Protocol IEEE 802.1Q VLAN IEEE 802.1p Class of Service IEEE 802.1D Spanning Tree Protocol IEEE 802.1w Rapid Spanning Tree Protocol IEEE 802.3at Power Over Ethernet (PoE+)
Features	Number of Ports: 26 10/100BaseTX with RJ-45 Connectors: 24 port with PoE+ Gigabit Uplink: 2x 10/100/1000BaseT RJ-45 / Gigabit SFP Combo Port MAC Address: 4K Buffer Memory: 2.75Mb Transmission Method: Store and Forward
Smart Features	Port Based VLAN: 26 Tagged Based VLAN: 32, VID = 1~4094 STP/RSTP IGMP Snooping V1&V2 Link Aggregation: 3 groups Quality of Service(QoS): High & Low queues, 802.1p Security: Port & MAC binding, 3 MAC per port Port: Port State, Speed/Duplex, Flow Control Port Mirroring Bandwidth Control Broadcast Storm Control PoE Control: PoE Port Enable/Disable, PoE Status Management: Web Management, password protected access, Configuration backup/restore, TFTP firmware upgrade
Filtering/Forwarding Rates	10/100BaseTX Cat. 5 UTP/STP 1000BaseT Cat. 5 / Cat. 5E UTP/STP
Transmission Media	10/100BaseTX Cat. 5 UTP/STP 1000BaseT Cat. 5 / Cat. 5E UTP/STP
LED Indicators	Per Port: Link/Act, PoE : Act / Status, Per Unit: Power
Power Input	100~240 V/AC, 50~60Hz
Power Output	53V DC Per Port Output
Power Consumption	390 Watt (Max.)
Dimensions	44 x 440 x 332 mm (H x W x D)
Operating Temperature	0 to 40 °C
Storage Temperature	-20 to 90 °C
Humidity	10 to 90% RH (non-condensing)
Certifications	FCC Class A, CE
Weight	4.7kg



PMH-24G500W / PMH-24G250W

24-PORT 10/100/1000BASE-T + 4-PORT 10G SFP+
LAYER 2+ FULL MANAGEMENT HIGH POWER POE SWITCH



The switch is 24-port 10/100/1000Base-T + 4 10G SFP+ Open Slot Rack-mount L2+ Full Management Network Switch that is designed for medium or large network environment to strengthen its network connection. The switch supports 88G non-blocking switch fabric, the 24 gigabit ports and 4 10G ports can transmit and receive data traffic without any lost. The EEE feature reduces the power consumption when there is no traffic forwarding even port is still connected. The 10G uplink port design is available and important for high bandwidth uplink request when cascaded with other switch. The switch also supports Layer 2+ full management software features.

4 10 Gigabit SFP+ Open Slots

The switch equips with 4 10G SFP+ open slots as the uplink ports, the 10G uplink design provides an excellent solution for expanding your network from 1G to 10G. By 10G speed, this product provides high flexibility and high bandwidth connectivity to another 10G switch or the Servers, Workstations and other attached devices which support 10G interface. The user can also aggregate the 10G ports as Trunk group to enlarge the bandwidth.

FEATURES :

- 24-Port Gigabit Copper + 4-port 10G SFP+
- 1G SFP/10G SFP+ Available
- 802.3az Energy Efficient Ethernet
- 88G Non-Blocking Switching Capability
- Layer 2+ Full Managed Software Features
- 4K VLAN, 8 queues QoS, Advanced VLANs
- MSTP, LACP, LLDP, sFlow,
- 802.1X, RADIUS, TACAS+, ACL
- IPv6, IPv4/v6 Multicast Filtering

DIMENSIONS : (Unit : mm)

44x440x331



SPECIFICATION :

Name	24-Port 10/100/1000Base-T + 4-Port 10G SFP+ Layer 2+ Full Management High Power PoE Switch
Model	PMH-24G500W / PMH-24G250W
Standards	Ethernet: IEEE 802.3, 802.3u, 802.3ab, 802.3ae IEEE 802.3az Energy Efficient Ethernet (EEE) Protocol: IEEE 802.3x - Flow Control, IEEE 802.1Q - VLAN, IEEE 802.1p - Class of Service, IEEE 802.1D - Spanning Tree, IEEE 802.1w - Rapid Spanning Tree, IEEE 802.1s - Multiple Spanning Tree, IEEE 802.3ad - Link Aggregation Control Protocol (LACP), IEEE802.1v - Protocol VLAN, IEEE 802.1AB - LLDP (Link Layer Discovery Protocol), IEEE 802.1X - Access Control
Interface	Number of Port: 28 10/100/1000Base RJ-45 Port : 24, Auto-negotiation, Auto MDI/MDIX 1G SFP/10G SFP+ : 4
Performance	Switching Capacity: 88G bps MAC Address Table Size: 32K Forwarding Rate: 95.2Mpps Packet Buffer: 4Mb
L2 Features	Flow Control: 802.3x (Full-duplex)ort/ Back-Pressure (Half-duplex) Spanning Tree: IEEE 802.1D-2004(Includes IEEE 802.1w): Rapid Spanning Tree Protocol 802.1s Multiple Spanning Tree Protocol Loop Detection VLAN: IEEE 802.1Q Tagged Based, Max. VLAN Group: 4K QinQ Port-based VLAN Voice VLAN Private VLAN MVR MAC-Based VLAN Protocol-Based VAN Link Aggregation: IEEE 802.3ad with LACP: 14 trunks/ up to 8 port per trunk Static Trunk: 14 trunks/ up to 8 port per trunk Max. Group:14 Max. Ports/Group:8 IGMP Snooping: IGMP Snooping v1/v2/v3 IPv6 MLD Snooping v1/v2 Queries support/ IGMP Filtering, IGMP Leave Proxy, Immediate Leave Storm Control: Broadcast/ Multi-cast/ Un-known Unicast Jumbo Frame Support: 10K
PoE Features	802.3af/at Compliant Max. Power Output Per Port: 30W Power Consumption : 250W / 500W Current Sharing Internal Power: In PD Classification Power Management: Enable/Disable per-port Priority Setting per-port Overloading Protection per-port Power Level Setting per-port
QoS Features	Number of Priority queue: 8 queues/ port Scheduling for priority queue : WRR/Strict Priority scheduling/Hybrid CoS :802.1p/ IP Precedence/ IP TOS Precedence IP DSCP/ Port based Priority Rate Limiting: Ingress/Egress: 1Kbps/ 1pps granularity DiffServ (RFC2474) remarking
Security	User Name / Password Protection User Privilege: up to 15 levels IEEE 802.1x: Port-based Access Control IP Source Guard MAC Based Authentication Web-based Authentication HTTPS SSHv2 RADIUS: Authentication/ Accounting TACACS+: Authentication ACL (Access control list)
Management	Command Line Interface (CLI) Web Based Management Telnet Access Management Filtering: SNMP/ WEB/SSH/TELNET/ SNMP: v1/v2c/v3 RMON: RMON (1,2,3, & 9 groups) DHCP: Client/ Relay/ Option82/ Snooping Event/Error Log: Local Flash/ Remote Server Software Download/ Upgrade: HTTP Configuration Download / Upload sFlow Port Mirroring: One to One/ Many to One Remote Ping NTP/LLDP UPnP EEE Configuration Cable Diagnostics IPv6 Configuration
Power Input	100~240VAC
Dimension mm(H*W*D)	44x440x331
Weight	3.0 kg
Operating Temperature	0 to40°C
Humidity	5-90% (non-condensing)
Certification	CE, FCC Class A





PMH-EWM16RS is 16 Combo UTP/SFP ports +2 SFP ports Rack-mount Gigabit Web Smart Ethernet Switch that is designed for medium or large network environment to strengthen its network connection. Including rack-mount brackets, the 19" size fits into your rack environment. It is a superb choice to boost your network with better performance and efficiency.

16 Combo SFP Open Slots

PMH-EWM16RS supports 16 Combo SFP open slots to uplink to servers, storage, or other switching devices for long loop reach applications.

High-Speed Networking and Jumbo Frames Support

PMH-EWM16RS provides an excellent solution for expanding your Gigabit network. By Gigabit speed, this product provides high flexibility and high bandwidth connectivity to servers, workstations and other attached devices. It enables you to save time transferring large files. In addition, it also supports Jumbo Frames 9.6K to improve network utilization of large file transfers.

FEATURES :

- 19" Industrial Size
- Web-based Configuration and Management
- IEEE 802.1Q VLAN Tagging
- 802.1p Priority Queues
- Jumbo Frames and IGMP Support
- Link Aggregation and Spanning Tree
- ESD protection and Lightning Protection circuitry with Air 15KV and Contact 8KV protection

DIMENSIONS : (Unit : mm)

44 x 440 x 220



SPECIFICATION :

Name	16 Combo UTP/SFP ports +2 SFP ports Rack-mount Gigabit Web Smart Ethernet Switch
Model	PMH-EWM16RS
Standards	IEEE 802.3 10BaseT IEEE 802.3u 100BaseTX IEEE 802.ab 1000BaseT IEEE 802.3x Full-duplex and Flow Control IEEE 802.1x Port-based Network Access Control IEEE 802.1Q VLAN IEEE 802.3ad Link Aggregation IEEE 802.1d Spanning Tree Protocol IEEE 802.1w Rapid Spanning Tree Protocol IEEE 802.1p Class of Service, Priority Protocols
Features	Number of Ports: 16 combo UTP/SFP +2G SFP slots MAC Address: 8K Buffer Memory: 500 KB Jumbo Frames: 9.6 KB Transmission Method: Store and Forward
Smart Features	Port Based VLAN/Tagged VLAN Trunk Groups: 8 Quality of Service: up to 4 queues IGMP Snooping LACP, RSTP MAC Filtering Rate Limiting (Ingress rate and Egress rate) 802.1x Port-based Network Access Control Management: Port Mirroring, Password-protected Access, Port Settings, Web-base Management, Graphic User Interface
Filtering/Forwarding Rates	1000Mbps port - 1,488,000pps 100Mbps port - 148,800pps 10Mbps port - 14,880pps
Transmission Media	10BaseT Cat. 3, 4, 5 UTP/STP 100BaseTX Cat. 5 UTP/STP 1000BaseT Cat. 5E UTP/STP
Led Indicators	Per Port: Link/Act, 1000M Per Unit: Power
Power Requirement	100~240V/AC, 50~60Hz
Power Consumption	20 Watts (Max)
Dimensions	440 x 220 x 44 mm (L x W x H)
Weight	3.0 kg
Operating Temperature	0 to 45°C
Storage Temperature	-20 to 90°C
Humidity	10 to 90% RH (non-condensing)
Certifications	FCC Class A, CE

Configuration List:

The configuration features of the Web Management utility allows the system administrator to set the IP Address, the user name and the password of PMH-EWM16RS.

Monitoring List and Statistic View:

PMH-EWM16RS can be monitored for every status by the system administrator. When an abnormal event occurs on the switch, messages can be set to notify the system administrator.

Maintenance List:

The system can easily maintain PMH-EWM16RS by updating every status.

Auto-MDI/MDI-X

Every port can automatically sense your type of cable, so there is no need for crossover cables whether you are connecting this switch to another switch or to a computer.

Auto-Negotiation

Every port can automatically sense if the connected network devices are running at 10Mbps, 100Mbps or 1000Mbps and Half/Full-Duplex mode, and adjust accordingly.

Non-Blocking

This switch receives and forwards traffic seamlessly with its non-blocking wire-speed. Every port simultaneously supports up to 2000Mbps of bandwidth in full-duplex mode. This feature provides full wire speed to the connected devices and allows you to run a smooth network.

Store and Forward

By this function, this switch can maximize network performance while minimizing the propagation of bad network packets.





FEATURES :

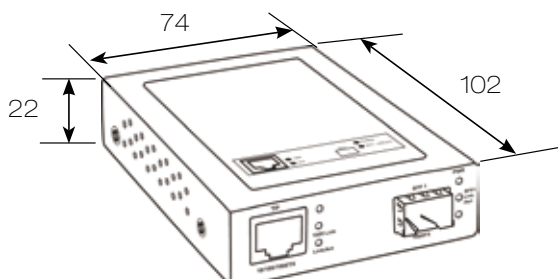
- Compliant with IEEE 802.3ab 1000BaseT and IEEE 802.3z 1000BaseSX/LX Gigabit Ethernet Standards
- One 10/100/1000BaseT Gigabit Ethernet TP Port and One SFP Slot for Gigabit Link
- One SFP slot can support either Multi or Single Mode SFP Modules
- TP Port can support Full-Duplex, Auto-MDI/MDI-X and Auto-Negotiation

SPECIFICATION :

Name	10/100/1000BaseT to 1000SX/LX SFP Media Converter
Model	PMH-RF-G
Standards	IEEE 802.3 10BaseT IEEE 802.3u 100BaseTX IEEE 802.3ab 1000BaseT IEEE 802.3z 1000BaseSX/LX IEEE 802.3x Flow Control
Features	Number of Ports: 1 10/100/1000BaseT with RJ-45 Connector 1 SFP Module Slot
Data Transfer Rate	2000Mbps/Full-Duplex
Transmission Media	TP: 1000BaseT Cat. 5, 5E, 6 UTP/STP, up to 100 m 1000BaseSX: 62.5/125µm Multi Mode Fiber optic cable, up to 220 m 50/125µm Multi Mode Fiber optic cable, up to 550 m 1000BaseLX: 9/125µm Single Mode Fiber optic cable
SFP module Support	MMF, 850nm, 220/550m SMF, 1310nm, 10km/20km/40km/60km SMF, 1550nm, >60km WDM, Bi-directional TX1310nm/RX1550nm, 20km/40km/60km WDM, Bi-directional TX1550nm/RX1310nm, 20km/40km/60km
Led Indicators	Per Port: (TX): 100M/Act, 1000M/Act (FX): Link/Act Per Unit: Power
Power Requirement	DC 5V/2A
Power Consumption	10 Watts (Max)
Dimensions	102 x 74 x 22 mm (L x W x H)
Weight	210 g
Operating Temperature	0 to 45°C
Storage Temperature	-20 to 90°C
Humidity	10 to 90% RH (non-condensing)
Certifications	FCC Class A, CE

DIMENSIONS : (Unit : mm)

102 x 74 x 22 mm





IJ1748D



SL1212D1



IJ5056D

SPECIFICATION :

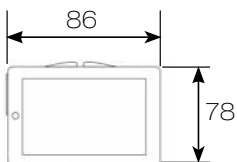
Model	IJ1748D
AC Inout	100 – 240Vac
DC Output	48V / 0.35A L.P.S
Max. Output Current	350mA – 1A
Total Power	16.8 – 24W
Ethernet Suport	10/100 BaseT
802.3af or 802.3at	af
Dimension	78(W) x 35(H) x 86(D)mm
Weight	31g

Model	SL1212D1
Power Input	+44 – 57Vdc / 350mA
Power Ouput	+12Vdc / 1A (12W max.)
Ethernet Suport	10/100 BaseT
802.3af or 802.3at	af
IP rating	IP66
Operating Temperature	-10°C – +50°C (14°F – 122°F)
Dimension	75.5(W) x 33(H) x 86.5(D)mm
Weight	120g

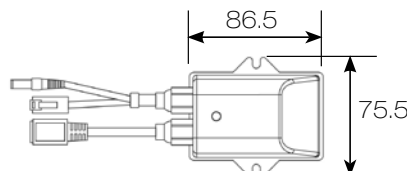
Model	IJ5056D
AC Inout	100 – 240Vac
DC Output	56V / 0.89A
Max. Output Current	350mA – 1A
Total Power	35W – 100W
Ethernet Suport	10/100 BaseT
802.3af or 802.3at	-
Dimension	75(W) x 38mm(H) x 125(D)mm
Weight	57g

DIMENSIONS : (Unit : mm)

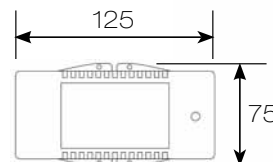
IJ1748D:78 x 35 x 86 / SL1212D1:75.5 x 33 x 86.5 / IJ5056D:75 x 38 x 125



IJ1748D



SL1212D1



IJ5056D



SL4024A



SL4012D

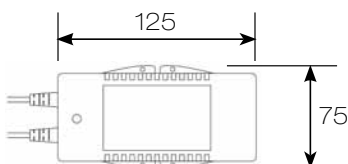
SPECIFICATION :

Model	SL4012D
DC Inout	36 – 60V
AC Output	12V / 3.33A
Output Power	25W – 80W
Ethernet Suport	10/100 BaseT
802.3af or 802.3at	-
Dimension	75(W) x 38mm(H) x 125(D)mm
Weight	36g

Model	SL4024A
DC Inout	48V / 0.7A
DC Output	24V / 1.7A
Total Power	25W – 80W
Ethernet Suport	10/100 BaseT
802.3af or 802.3at	-
Dimension	75(W) x 38mm(H) x 125(D)mm
Weight	37g

DIMENSIONS : (Unit : mm)

125 x 75x 38



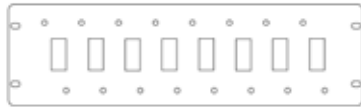
SL4024A / SL4012D

No liability will be accepted for any errors or omissions. Design and specifications are subject to change w

VIDEO ENCODER RACK MOUNT PLATE SPECIFICATION (FOR 8 PCS VS212 / VD022)



For 8 pcs



BTE02S



FEATURES :

- Rack Mount Plate can accommodate up to eight Video Encoder or Video Decoder devices

SPECIFICATION :

Model	BTE02S
Dimension	480 mm (Width) x 133.5 mm (Height) x 2 mm (Depth)
Weight	850 g
Power supplier	12 VDC, 4.2 A, Max: 48W
Power cable	One-to-eight 12 VDC connectors included

DIMENSIONS : (Unit : mm)

480 (W) x 133.5 (H) x 2 (D)





WORLD HEADQUARTERS
MERIT LILIN ENT. CO., LTD.

Tel: +886 2 2298 8988 Fax: +886 2 2298 9077
Web: www.meritlilin.com Email: sales@meritlilin.com
Address: No. 20, Wugong 6th Road, New Taipei Industrial Park, Wugong District, New Taipei City, Taiwan 248

INTERNATIONAL OFFICES

Australia

LILIN Australia Pty. Ltd.

Sydney Office

Tel: +61 (02) 9646 4878
Fax: +61 (02) 9646 5088
Email: sales@lilin.com.au
Address: Unit 25/4A Bachell Avenue
Lidcombe, NSW 2141

Melbourne Office

Tel: +61 (03) 9645 6129
Fax: +61 (03) 9645 6202
Email: sales@lilin.com.au
Address: Unit 18, 3 Westside Avenue
Port Melbourne, VIC 3207

Brisbane Office

Tel: +61 (07) 3715 6663
Fax: +61 (07) 3715 6669
Email: sales@lilin.com.au
Address: Unit 9, 20 Jjaws Street,
Sumner Park, QLD 4074

China

Merit LILIN China

Guangzhou Office

Tel: +86 0282265182 ext. 101
Fax: +86 02082265158
Email: penny.peng@meritlilin.com.cn
Address: Floor 2, No.1, Kehul First St., Kehul
Jingu, No.99, Kexue Boulevard, Sci. City,
Guangzhou, China

Beijing Office

Tel: +86 010 58890236
Fax: +86 02082265158
Email: ying.liu@meritlilin.com.cn
Address: Room 1601, Block A, Jianwai SOHO,
No.39, East Third Ring Road Middle, Chaoyang
District, Beijing, China

Shanghai Office

Tel: +86 02152858565
Fax: +86 02082265158
Email: helena.wu@meritlilin.com.cn
Address: Room 216, The Point Jingan
Mansion, No.555, Anyuan Road, Jing'an
District, Shanghai, China

France Office

Merit LILIN (EUROPE) SA
Tel: +33 1 3972 9898
Fax: +33 1 3972 9896
Email: contact@meritlilin.fr
Address: 34 Rue Des Cayennes 76700 Conflans
Ste Honorines

Germany Office

LILIN Technology GMBH
Tel: +49 (0) 2103 9631788
Fax: +49 (0) 2103 9631789
Email: info@lilin.de
Address: Nikolaus-Otto-Str. 1 40721 Hilden

Hong Kong Office

Merit LILIN CCTV HK Ltd.
Tel: +852 2889 2862
Fax: +852 2889 3134
Email: roger@meritlilinhk.com
Address: Flat A3, 7/F, Kalley Industrial Centre, 12
Fung Yip Street, Chalwan

Italy Office

Merit LILIN ITALIA SRL
Tel: +39 0542 781594
Fax: +39 0542 1952004
Email: info@meritlilin.it
Address: Via Ercolani, 11/F 40026 Imola (Bo)

Malaysia Office

MERIT LILIN MALAYSIA SDN BHD
Tel: +60 3 6274 5066
Fax: +60 3 6276 9011
Email: lnh@lilin.com.my
Address: 32, Jalan Ara Sd7/3b, Bandar Sri
Damansara, 52200 Kuala Lumpur

Spain Office

MERIT LILIN SPAIN S.L.
Tel: +34 90 210 8533
Fax: +34 91 663 6669
Email: info@meritlilinspain.com
Address: Avda. Montes De Oca No 19-
Nave 3 28703 S.S. De Los Reyes, Madrid

UK Office

MERIT LILIN UK LTD.
Tel: +44 870 120 5550
Fax: +44 870 120 5551
Email: uk@meritlilin.com
Address: Davy Avenue, Knowhill Milton
Keynes, MK5 8NB

USA Office

MERIT LILIN (USA) CORP.
Tel: +1 626 930 1000
Fax: +1 626 930 1001
Email: info@meritlilin.us
Address: 11836 Clark St. Arcadia, CA
91006

