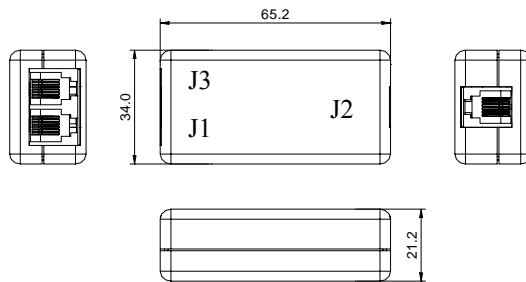


- ★ Compact package, includes connectors for ease of installation
- ★ Design for ADSL ver POTS Application
- ★ 100 mA DC Loop Current Capacity

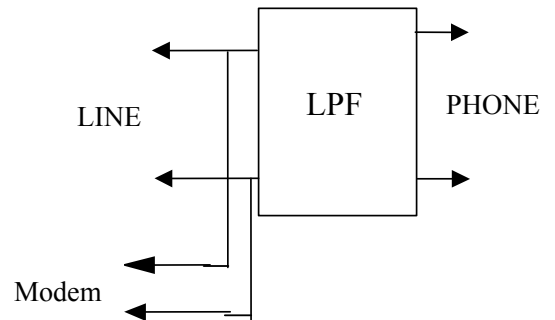
**Specifications** (Operating Temperature 5~40°C, Relative Humidity 20~90%)

POTS Port Impedance	270Ω+(750Ω//150nF)	Return loss	300Hz~3400Hz	>12
Insertion Loss 1004Hz	1.0dB Max		3400Hz~4000Hz	>8
Voice band attenuation 0.2~4KHz	+/- 1dB Max	Delay Distortion @200-4000Hz		<200uS
ADSL band attenuation 32~1104KHz	55dB Min	Longitudinal conversion loss		
DC Resistance	<50Ω	50 Hz to 600 Hz		>40 dB
Insulation resistance Tip to ring	>5MΩ	600 Hz to 3400 Hz		>46 dB

**Dimension**



**Schematic**



Connector	Function	Style	Tip	Ring
J3	Modem	RJ11	Pin3	Pin4
J2	Line	RJ11	Pin3	Pin4
J1	Phone	RJ11	Pin3	Pin4

Data sheet subject to change without notice