

QH-3505PC-N

1.3MP 720P AHD Camera

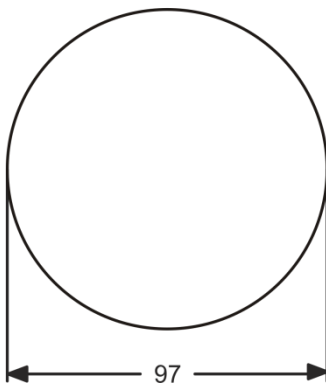
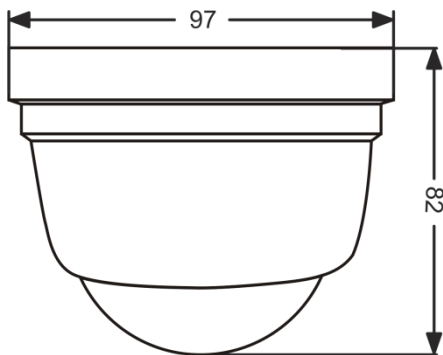
QIHAN
Creation for Safe Life



Feature

- Analog HD, 720P, Long-distance transmission, None-delay, Open standard for good compatibility, Easy operation, High-Integrate for the high-quality reliable transmission.

Dimensions



Unit: mm

Technical Specifications

| | |
|------------------------------------|---|
| Model No. | QH-3505PC-N |
| VIDEO | |
| Image Device | 1/3" HD CMOS |
| TV System | PAL/NTSC |
| Total Pixels | 1.3M Pixels |
| Resolution | 1280 (H) * 720 (V) |
| Scanning System | Progressive |
| Synchronization | Internal |
| Min. Illumination | 0 Lux (LED on) |
| S/N Ratio | >58db |
| Video Output | 1Vp-p,75ohm, BNC |
| LENS | |
| Focal Length | 2.8MM, 3.6MM or 6MM Fixed Lens |
| OPERATIONAL (For OSD Model) | |
| LENS | DC/MANUAL |
| Shutter | Auto,1/25-30(FLK) |
| AGC | 0-15 |
| SENS-UP | OFF/Auto |
| Brightness | 0-100 |
| D-WDR | ON/OFF |
| Defog | ON/OFF |
| Backlight | ON/OFF |
| White Bal | ATW/Indoor/Outdoor |
| Day&Night | EXT/Color/B/W/Auto |
| IR Smart | Yes |
| 2DNR/3DNR | Yes |
| Cam Title | Yes |
| D-Effect | Freeze/Mirror |
| Motion | 4 area |
| Privacy | 4 area |
| Language | CHN1/CHN2/GER/FRA/ITA/SPA/POL/RUS/POR/NED/TUR |
| Defect | Live DPC/White DPC/Black DPC |
| Infrared LED | 24EA |
| IR Distance | 10 ~ 20 Meters |
| IR-CUT | YES |
| Infrared Spectrum | 850nm |
| OPERATIONAL | |
| Operation Temperature | -10°C~ +60°C |
| Storage Temperature | -20°C~ +70°C |
| Water-proof Casing | Plastic |
| ELECTRICAL | |
| Max Power | 4.74W |
| Adapter Requirement | DC12V1A |
| MECHANICAL | |
| Color | White |
| Dimensions | 97*82MM |
| Net Weight | 200g/pcs |
| Transmission distance | 500meters(75-3) |