

QH-V363A13C-N

1.3MP 720P AHD Camera

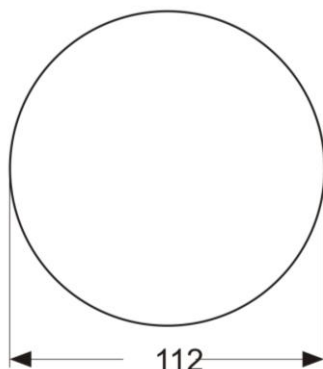
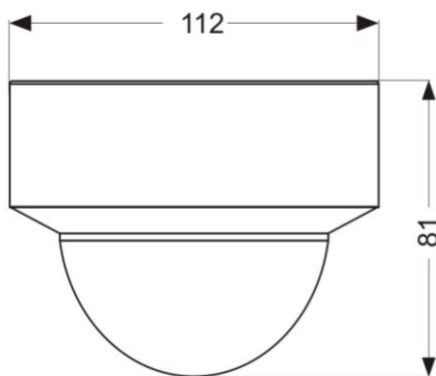
QIHAN
Creation for Intelligent Life



Feature

- Analog HD, 720P,
- Long-distance transmission, None-delay
- Open standard for good compatibility, Easy operation
- High-Integrate for the high-quality reliable transmission

Dimensions



Unit: mm

Technical Specifications

Model NO.	QH-D363A13C-N
Image Device	1/3" HD CMOS
TV System	PAL/NTSC
Total Pixels	1.3M Pixels
Resolution	1280 (H) *720 (V)
Scanning System	Progressive
Synchronization	Internal
Min. Illumination	0 Lux (LED on)
S/N Ratio	>58db
Video Output	1Vp-p, 75ohm, BNC
LENS	
Focal Length	2.8~12MM MF Fixed Iris Lens
OPERATIONAL(For OSD Model)	
LENS	DC/MANUAL
Shutter	Auto,1/25-30(FLK)
AGC	0-15
SENS-UP	OFF/Auto
Brightness	0-100
D-WDR	ON/OFF
Defog	ON/OFF
Backlight	ON/OFF
White Bal	ATW/Indoor/Outdoor
Day&Night	EXT/Color/B/W/Auto
IR Smart	Yes
2DNR/3DNR	Yes
Cam Title	Yes
D-Effect	Freeze/Mirror
Motion	4 area
Privacy	4 area
Language	CHN1/CHN2/GER/FRA/ITA/SPA/POL/RUS/POR/NED/TUR
Defect	Live DPC/White DPC/Black DPC
Infrared LED	24 LEDs
IR Distance	10~20m
IR-CUT	YES
Infrared Spectrum	850nm
OPERATIONAL	
Operation Temperature	-10°C~ +50°C
Storage Temperature	-20°C~ +60°C
Water-proof Casing	Plastic
ELECTRICAL	
Max Power	4.74W
Adapter Requirement	DC12V1A
MECHANICAL	
Color	White
Dimensions	112*112*81MM
Net Weight	240g/pcs
Transmission distance	500meters(75-3)