

# QH-V431SC-NU

2MP 1080P AHD Camera

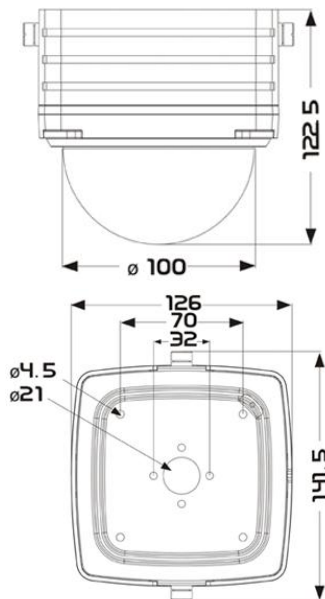
**QIHAN**  
Creation for Safe Life



## Feature

- Analog HD, 1080P,
- Long-distance transmission, None-delay
- Open standard for good compatibility, Easy operation
- High-Integrate for the high-quality reliable transmission

## Dimensions



Unit: mm

## Technical Specifications

<b>Model NO.</b>	<b>QH-V431SC-NU</b>
<b>VIDEO</b>	
Image Device	1/2.9" Sony "Exmor" CMOS
TV System	PAL/NTSC
Total Pixels	2.24M Pixels
Resolution	1920 (H) * 1080 (V)
Scanning System	Progressive
Synchronization	Internal
Min. Illumination	0 Lux (LED on)
S/N Ratio	>58db
Video Output	1Vp-p, 75ohm, BNC
<b>LENS</b>	
Focal Length	2.8~12MM MF Fixed Iris Lens
<b>OPERATIONAL</b>	
LENS	DC/MANUAL
Shutter	Auto, 1/25-30(FLK)
AGC	0-15
SENS-UP	OFF/Auto
Brightness	0-100
D-WDR	ON/OFF
Defog	ON/OFF
Backlight	ON/OFF
White Bal	ATW/Indoor/Outdoor
Day&Night	EXT/Color/B/W/Auto
IR Smart	Yes
2DNR/3DNR	Yes
Language	CHN1/CHN2/GER/FRA/ITA/SPA/POL/RUS/POR/N ED/TUR
Defect	Live DPC/White DPC/Black DPC
Infrared LED	18LEDs
IR Distance	10~20m
Infrared Spectrum	850nm
<b>OPERATIONAL</b>	
Operation Temperature	-10°C~ +60°C
Storage Temperature	-20°C~ +70°C
Water-proof Casing	VandalProof
<b>ELECTRICAL</b>	
Max Power	6.04W
Adapter Requirement	DC12V1A
<b>MECHANICAL</b>	
Dimensions	123*154*154mm
Net Weight	1000g/pcs
Transmission distance	500meters(75-3)