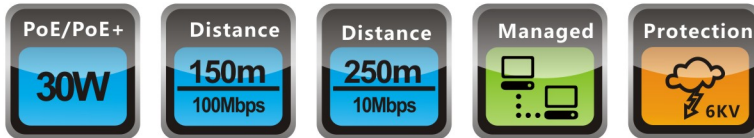
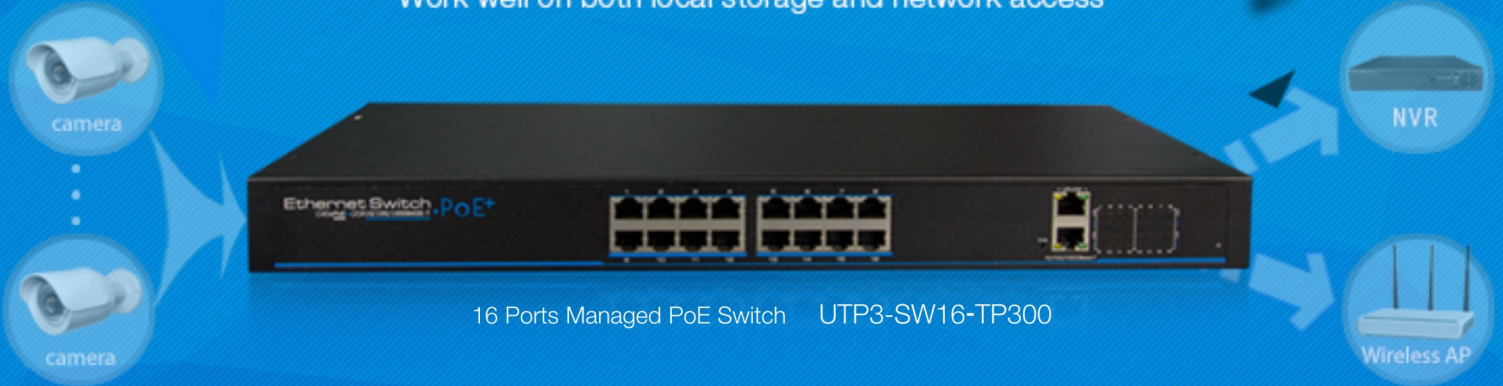


## “THIS” is all you need for small typed surveillance transmission system

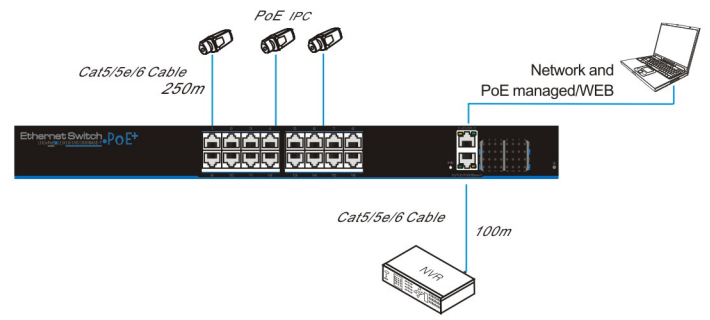
Practical 100Mbps downlink ports and dual Gigabit uplink ports design  
Work well on both local storage and network access



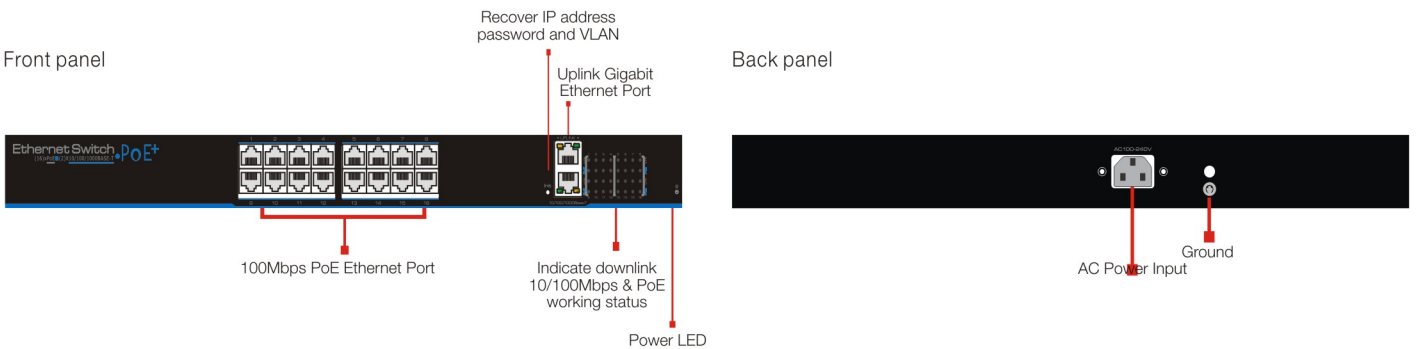
### KEY FEATURES

- RJ45 Ports with 30u Gold-plated Flattened Pins
- No Frame Loss IP Data Transmission
- PoE+ Standard 250m in One-key CCTV Mode
- Easy Remote Management
- 6KV Lightning Protection

### APPLICATION



### BOARD DIAGRAM



### SPECIFICATIONS

Item	Description
<b>Products</b>	16 Ports PoE Ethernet Switch
<b>Power</b>	Power Supply: Mains on load
	Voltage Range: AC 100~240V
	Consumption: 300W
<b>Network Connector</b>	Ethernet Port: 1~16 Ports: 10/100Mbps Ethernet port, adaptive control UPLINK Ethernet port: 10/100/1000Mbps Ethernet port
	Transmission Distance: 1~16 ports: Recommended 120m Max.150m; Uplink 1000Mbps Ethernet port: Max.100m
	PoE Protocol: IEEE802. 3af, IEEE802. 3at
	PoE Power Supply: End-span
	PoE Power Consumption: EachPort≤30W, Total ≤250W
<b>Network Switch</b>	Network Standard: IEEE802. 3 10BASE-T, IEEE802. 3u 100BASE-TX, IEEE802. 3ab 1000BASE-T
<b>Management</b>	Switch Capacity: 11G Management: Management L2
<b>Protection</b>	ESD: Level 3, Per: IEC61000-4-2
	Communication Port Lighting Protection: Level 3, Per: IEC61000-4-5
<b>Environmental</b>	Working Temperature: 0°C ~55°C
	Storage Temperature: -40°C ~85°C
	Humidity: 0~95%
<b>Mechanical</b>	Dimension (L×W×H): 442mm×224mm×44.5mm
	Material: Sheet metal
	Color: Black
	Weight: 2.69kg