



UTP7216E-POE-L2

Security-purpose Industrial PoE Switch

Specially designed for HD IP camera data and PoE access

Port

1000M

2 Optical+2 Ethernet

Power

450W

PoE/PoE+

30W

Managed

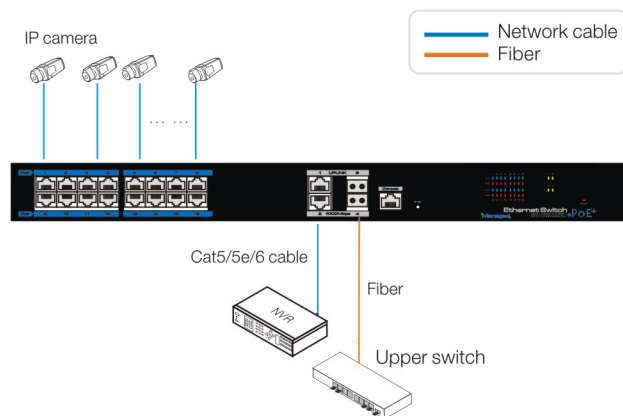
Protection

6KV

KEY FEATURES

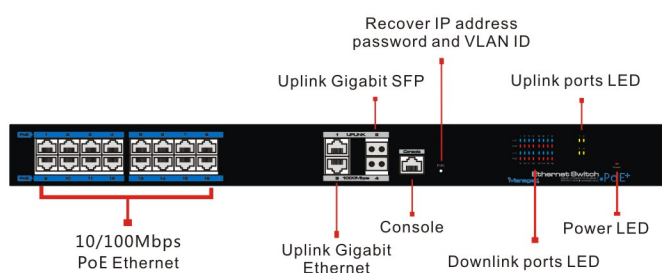
- Industrial-Level Chip Superior Performance
- Hybrid Fiber and Ethernet Gigabit uplink
- PoE+ 150m Downlink Ports
- 6KV Lightning protection and Level 3 ESD
- Web Management Real-time Surveillance
- RJ45 Ports with 30u Gold-plated Flattened Pins

APPLICATION



BOARD DIAGRAM

Front Board



Back Board



SPECIFICATIONS

Item	Description
Products	Products 16 Ports PoE Ethernet Switch
Power	Power Supply Mains on load
	Voltage Range AC 100~240V
	Consumption 320W
Network Connector	Ethernet Port 1 ~ 16 Ports: 10/100Mbps Ethernet port, adaptive control UPLINK Ethernet ports: 10/100/1000Mbps Ethernet port SFP: SFP optical fiber module, 1000Mbps
	Transmission Distance 1 ~ 16 ports: Recommended 120m Max.150m; Uplink 1000Mbps Ethernet port: Max.100m SFP: depend on the optical module performance
	PoE Protocol IEEE802. 3af, IEEE802. 3at
	PoE Power Supply End-span
Network Switch	PoE Power Consumption EachPort≤30W, Total ≤250W
	Network Standard IEEE802. 3 10BASE-T, IEEE802. 3u 100BASE-TX, IEEE802. 3ab 1000BASE-T, IEEE802. 3z 1000BASE-SX/LX
	Switch Capacity 16G
Management	Management Management L2
Protection	ESD Level 3, Per: IEC61000-4-2
	Communication Port Lighting Protection Level 3, Per: IEC61000-4-5
Environmental	Working Temperature 0℃~55℃
	Storage Temperature -40℃~85℃
	Humidity 0~95%
Mechanical	Dimension (LxWxH) 442mmx263mmx44.5mm
	Material Sheet metal
	Color Black
	Weight 3.54kg

