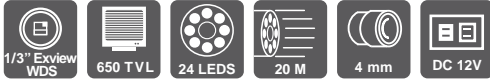


Infrared Dome Camera

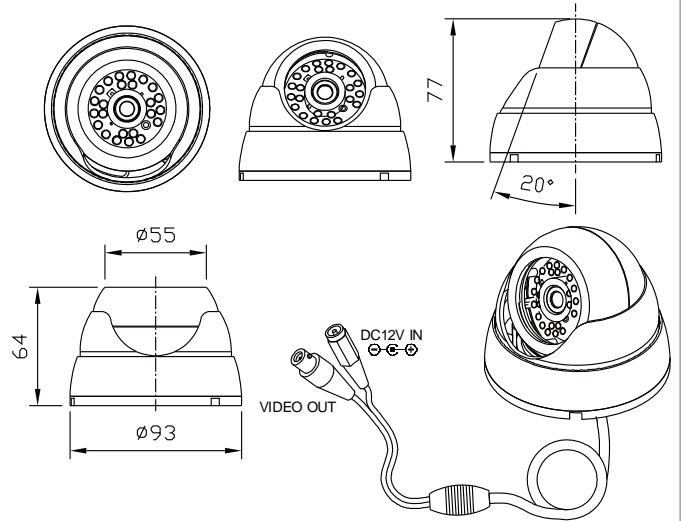
FEATURE



- 1/3" Exview WDS Image Sensor
- 4.0mm Lens Mount
- 650 TV LINES
- 24 PCS IR Leds, IR Range 20 M
- Sensitivity: 0 Lux -IR On
- S/N Ratio: 48dB

DIMENSIONS

UNIT: mm



SPECIFICATIONS

VIDEO SYSTEM	NTSC	PAL
PICK UP ELEMENT	1/3"Exview WDS	
IMAGE SIGNAL PROCESS	DIGITAL SIGNAL PROCESSING SYSTEM	
LENS MOUNT	4.0 mm	
NUMBER OF EFFECTIVE PIXELS	976 (H) x 494 (V)	976 (H) x582 (V)
PICTURE ELEMENTS	Approximately 380k	
HORIZONTAL RESOLUTION	MAX. 650 TV LINES	
POWER SUPPLY	DC +12V	
POWER CONSUMPTION	80 mA IR OFF : 320 mA IR ON	
SYNCHRONIZATION	INTERNAL	
SCANNING SYSTEM	2 : 1 INTERLACE	
SENSITIVITY	0 LUX -IR ON	
S/N RATIO	Max 48 dB	
AUTO GAIN CONTROL	YES	
BACK LIGHT COMPENSATION	YES	
WHITE BALANCE	AUTO	
ELECTRONIC SHUTTER	AUTO: 1/60S TO 1/10,000S	AUTO: 1/50S TO 1/10,000S
OUTPUT	1 Vp-p COMPOSITE VIDEO OUTPUT, 75 OHMS	
LEDS	24PCS	
IR RANGE	20 M	
IR WAVELENGTH	850 nm	
OPERATING TEMPERATURE	-10 °C ~ +40 °C	
DIMENSIONS (D x H)	Φ 93 x 64mm	
WEIGHT	About 185g	