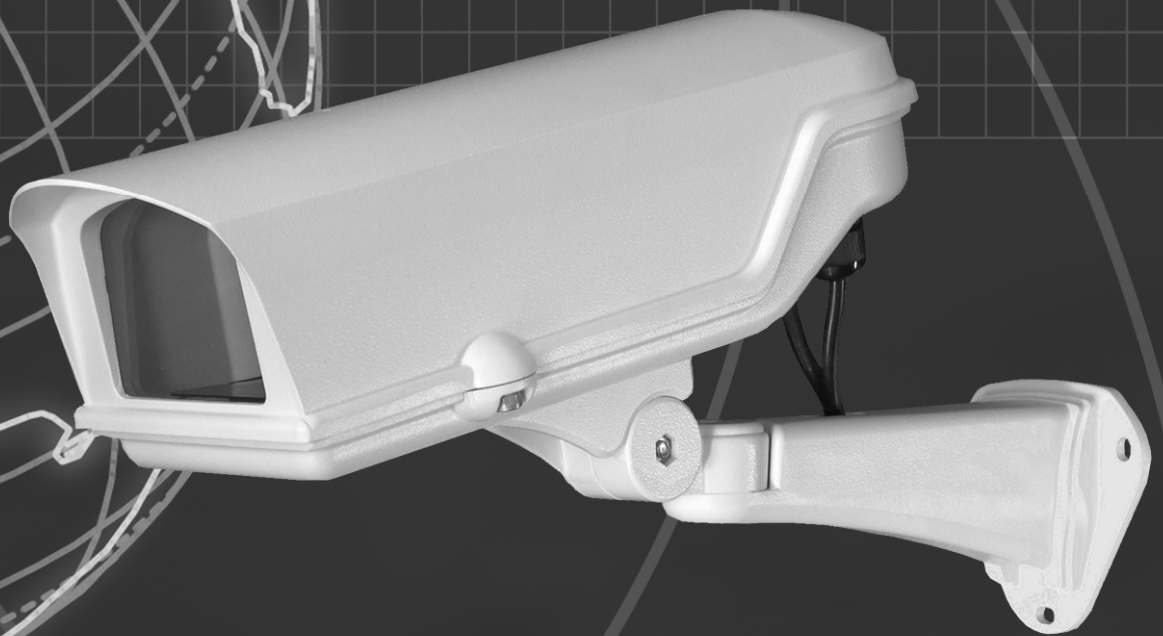


Camera Housing

H1B1

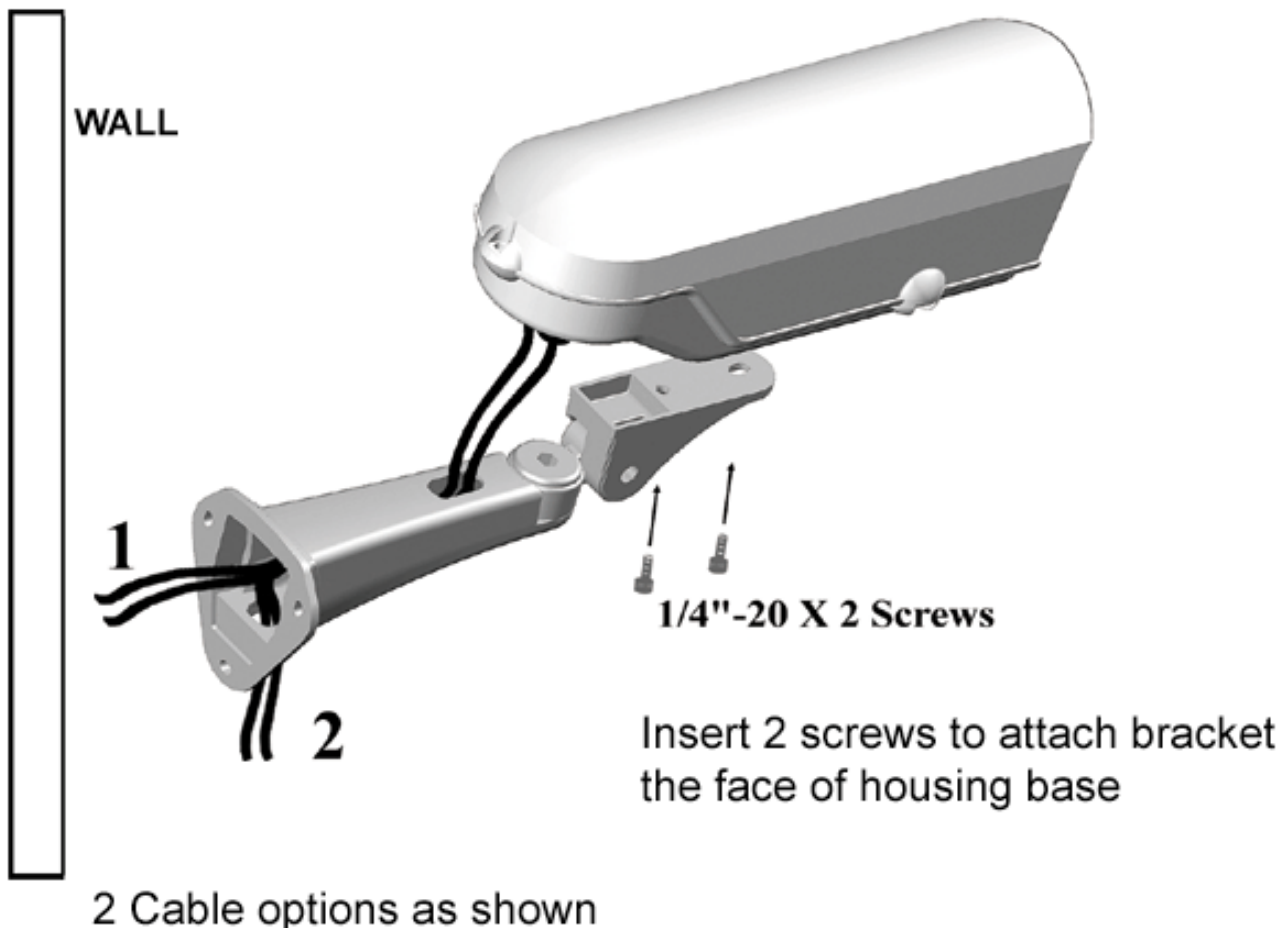


*Product
Manual*

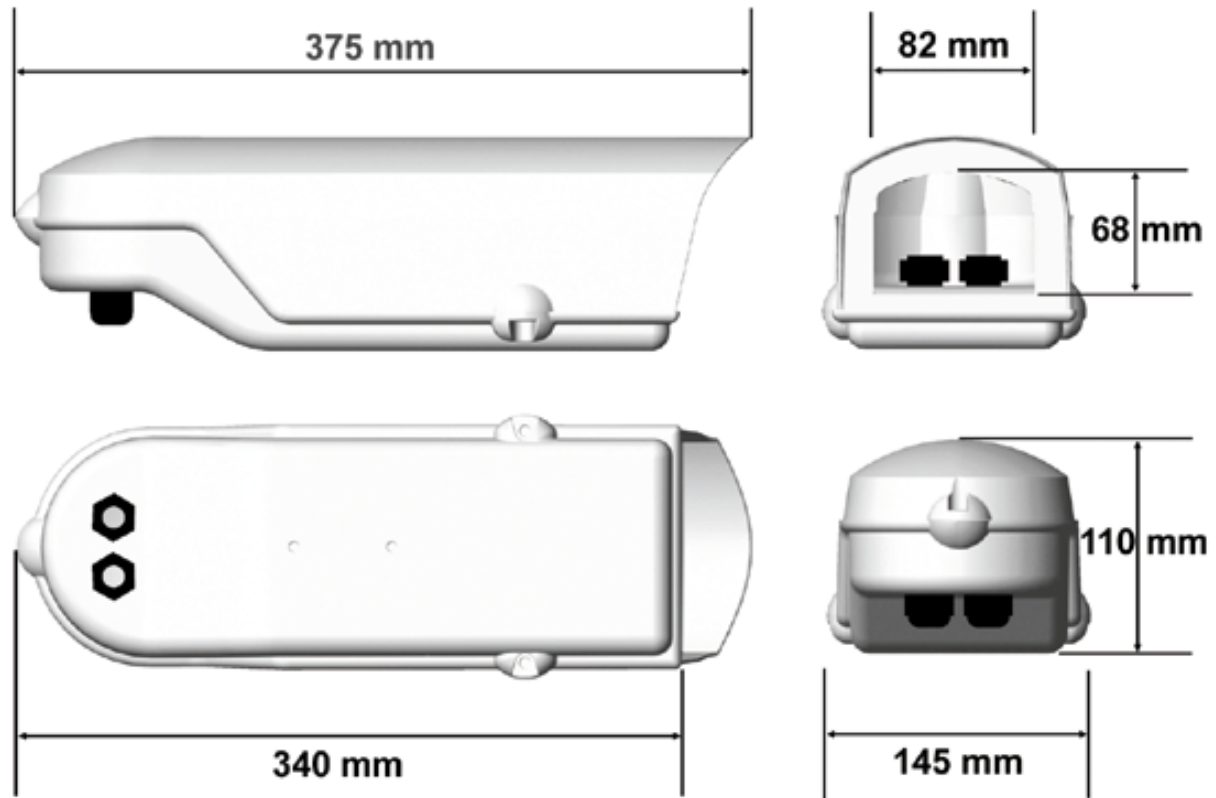
HOUSING MOUNTING

1. Determine the location where the bracket is to be installed.
2. Using the bracket , mark and drill holes in the mounting surface.
3. Bring the wiring in the mounting plate or the bottom side of the bracket near the mounting plate and through the bracket arm.
4. Attach the bracket securely with three wall plugs&screws provided.
5. Attach the housing securely with two 1/4"-20 screws to the bracket by allen key provided.
6. Loosen the two screws on the swivel head and position as desired. Tighten screws and lock into place.
7. Make all necessary electrical connections into the heater (optional) and camera (refer to the manuals provided with camera.) through by the cable glands which located on the rear of housing bottom.
8. For the heater wiring, refer to the following section "WIRING DIAGRAM".

Figure for wall mounting

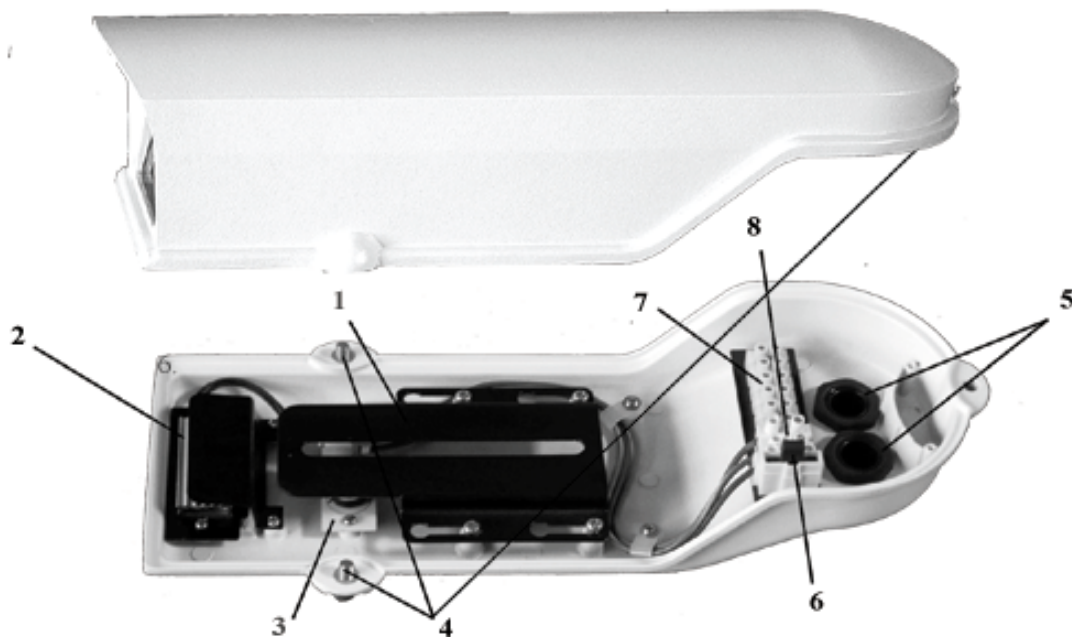


EXTERNAL DIMENSIONS



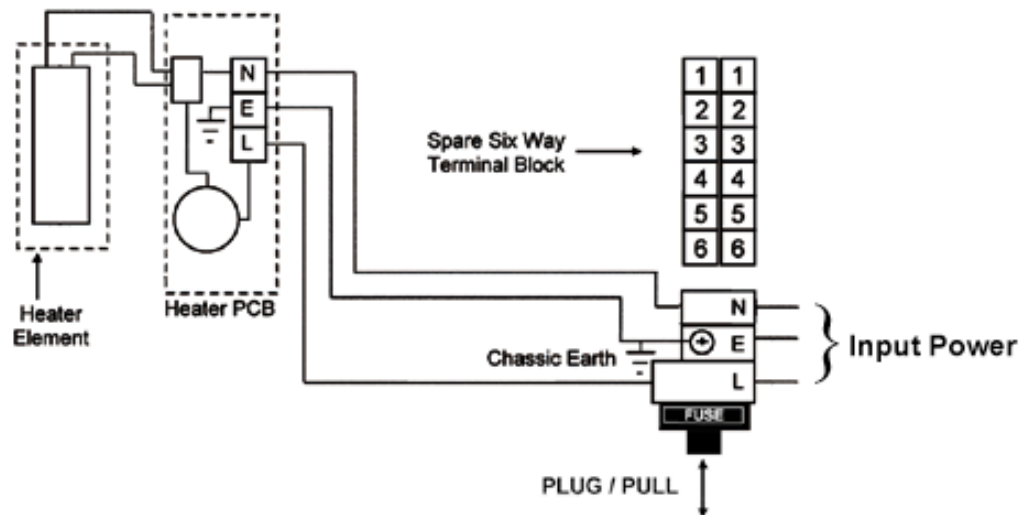
MAXIMUM INTERNAL DIMENSIONS
250mm Length x 110mm Width x 70mm Height

INTERNAL LAYOUT



- | | |
|-----------------------------|----------------------|
| 1. Camera mounting plate | 5. Cable glands |
| 2. Heater element | 6. Fuse plug |
| 3. Thermostat control board | 7. Connector block |
| 4. Retained housing fixings | 8. Earth screw point |

WIRING DIAGRAM



POWER CONSUMPTION

Dual Voltage (12dc/24vac) 12v = 400 Ma 24v = 600Ma

**** WARNING ****

- 1. Always disconnect the power supply before working on the housing.**
- 2. These instructions are for use by qualified service personnel only. To reduce the risk of electric shock do not perform any servicing other than that contained in the operating instructions unless you are qualified to do so.**
- 3. For low voltage installation only the Live and the Neutral are required. However some sites (petrol stations etc) may still require that you earth the housings.**

CONTENTS LIST

Main Pack

1 x Allen Key
3 x Wall Plugs
3 x Wall Screws
3 x Washers
1 x Pack A

Pack A - Camera Mounting

1 x Rubber washer
1 x Recess washer
1 x 1/4" UNC mounting screw

Pack B - Bracket to housing fixings

2 x 1/4" UNC Screws