

Full HD Multiple Streams Micro Bullet IP Camera

User's Manual

Ver. 1.1

Table of Contents

1. Overview	2
1.1 Features	2
1.2 Package Contents	3
1.3 Dimensions	6
1.4 Connectors (Indoor Models Only)	8
1.5 All in One Cable (Outdoor Models Only)	9
1.6 microSD Card Slot / Default Button	10
2. Camera Cabling	11
2.1 Connect Power	11
2.2 Connect Ethernet Cable	11
2.3 Connect Alarm I/O	11
3. System Requirements	12
4. Access Camera	13
5. Setup Video Resolution	16
6. Configuration Files Export / Import	17
Appendix A: Technical Specifications	18
Appendix B: Delete the Existing DC Viewer	22
Appendix C: Setup Internet Security	23
Appendix D: Video Resolution	24
2M- Quad Streams	24
2M- Triple Streams	28
2M- Dual Streams	30
2M- Single Stream	30
2M Real time / 3M / 5M- Quad Streams	31
2M Real time / 3M / 5M- Triple Streams	36
2M Real time / 3M / 5M- Dual Streams	39
2M Real time / 3M / 5M- Single Stream	40

1. Overview

The Full HD Multiple Streams Micro Bullet IP Camera is a compact camera with an easy setup design. PoE is supported to reduce complicated cabling without sacrificing performance. 3 Megapixel Resolution is available for providing high definition images. Quad Streams Compression (H.264 Baseline / Main / High Profile + MJPEG) are supported for efficient bandwidth and storage management. Moreover, the camera is featured with functions such as WDR, 3D Noise Reduction, Day/Night ICR, etc. For more camera features, please see the feature list below.

1.1 Features

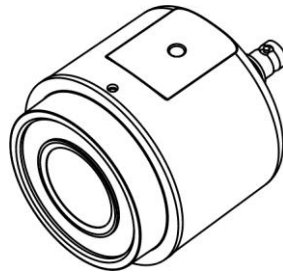
- Progressive Scan CMOS Sensor
- 2M / 3M Resolution
- Quad Streams Support
- Dual Streams- Full HD 1080P Real Time + D1 Real Time
- Quad Streams Compression- H.264 Baseline / Main / High Profile + MJPEG
- Multi-language Support
- Wide Dynamic Range
- Two-Way Audio Support
- Motion Detection
- Privacy Masks
- Smart Picture Quality / 3D Noise Reduction
- Smart IR Mode
- Day/Night (ICR)
- IR LED Module (working distance up to 15m)
- microSD Support
- Weatherproof (IP66 International)*
- Sunshield
- Integrated Mounting Bracket with Cable Management*
- BNC Analog Output*
- ONVIF Support

(*) Optional

1.2 Package Contents

Please check the package contains the following items listed below.

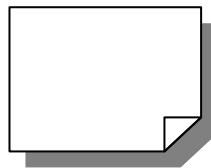
Indoor



Full HD Multiple Streams
Micro Bullet IP Camera



4 Pins Terminal Block

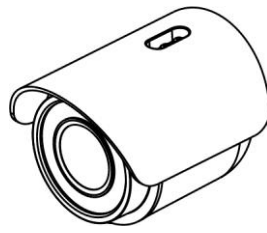


Quick Guide

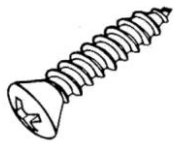


CD
(bundled software and
documentation)

Outdoor (without Cable Management)



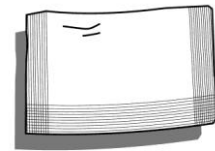
Full HD Multiple Streams
Micro Bullet IP Camera



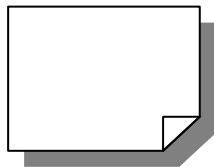
Self Tapping Screws
(x5)



Plastic Screw Anchors
(x5)



Desiccant

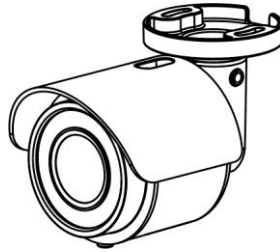


Quick Guide

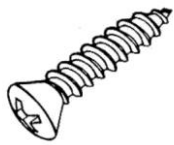


CD
(bundled software and documentation)

Outdoor (with Cable Management)



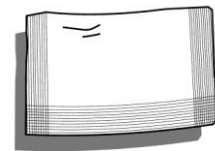
Full HD Multiple Streams
Micro Bullet IP Camera



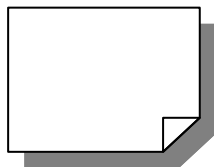
Self Tapping Screws
(x5)



Plastic Screw Anchors
(x5)



Desiccant



Quick Guide

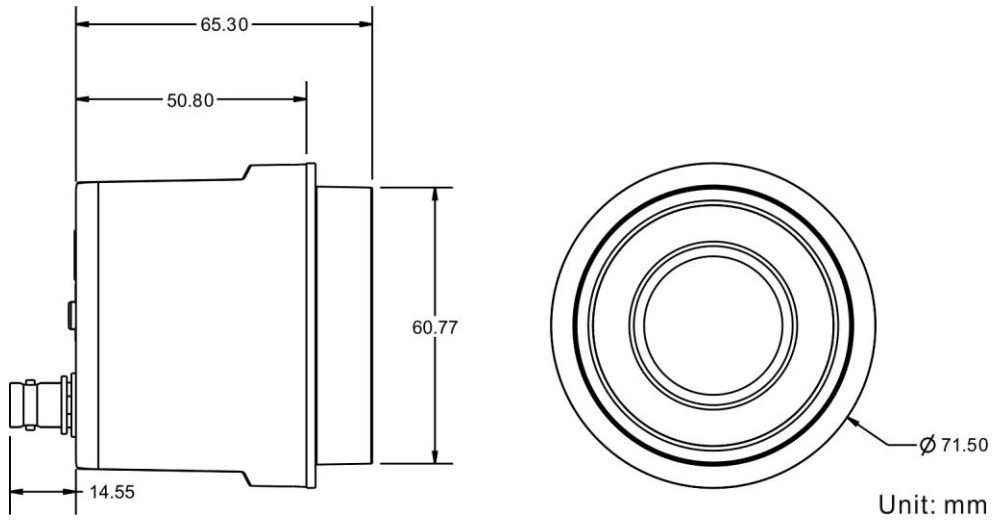


CD
(bundled software and documentation)

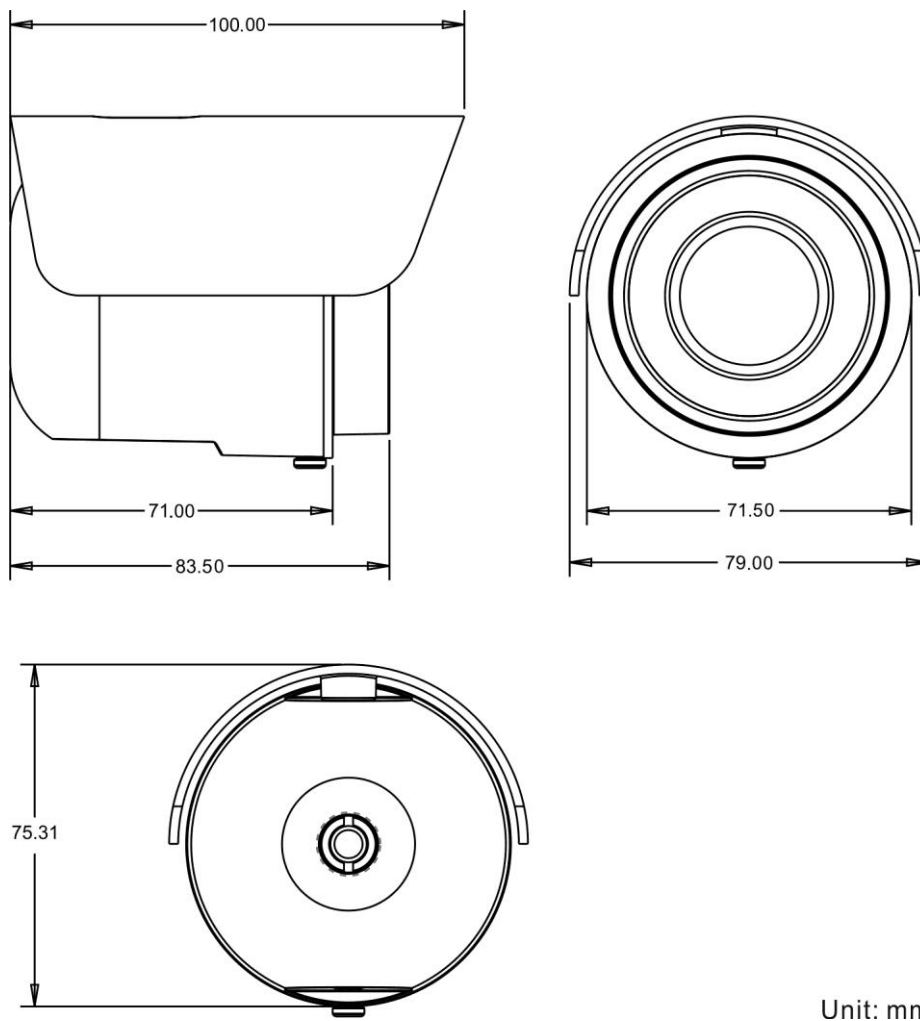
1.3 Dimensions

The dimensions of the camera are shown below.

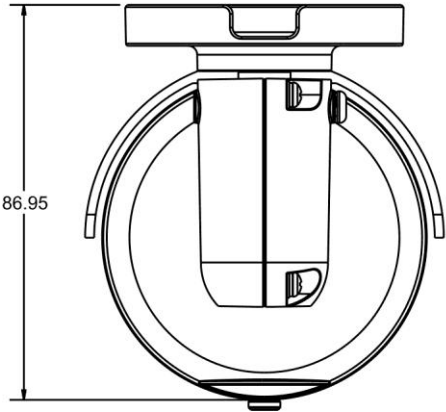
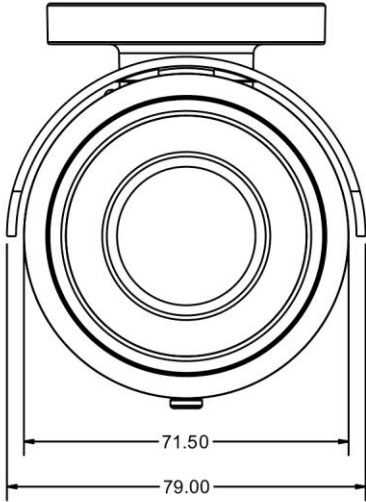
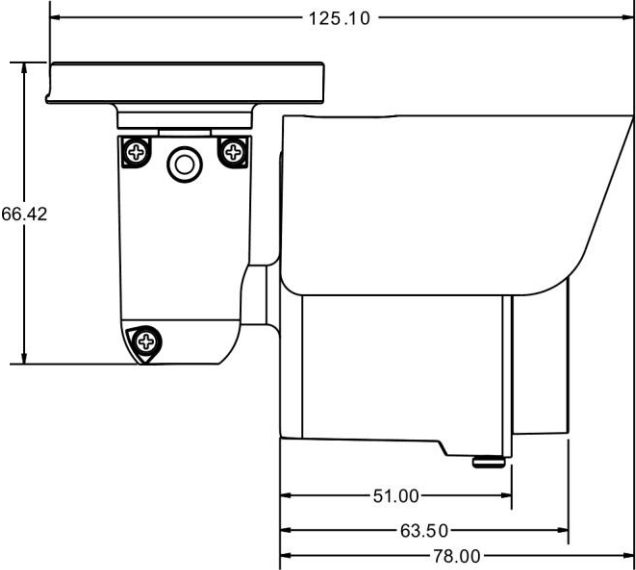
Indoor



Outdoor (without Cable Management)



Outdoor (with Cable Management)

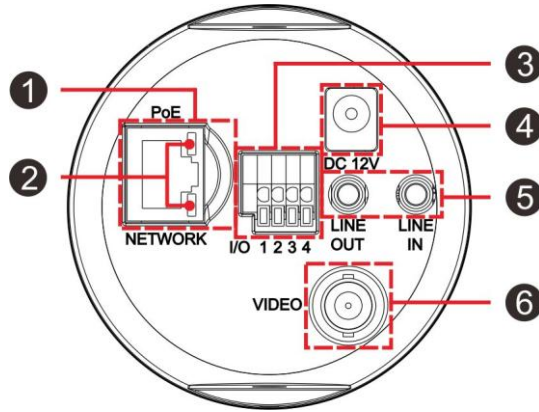


Unit: mm

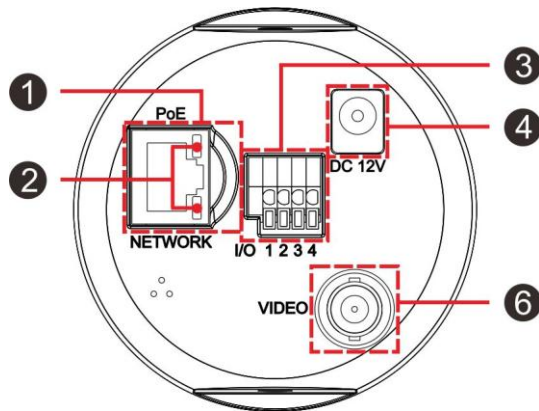
1.4 Connectors (Indoor Models Only)

The diagram below shows the connectors of the IP Camera. Definition for each connector will be given as follows.

Rear Panel 1



Rear Panel 2



Pin Definition

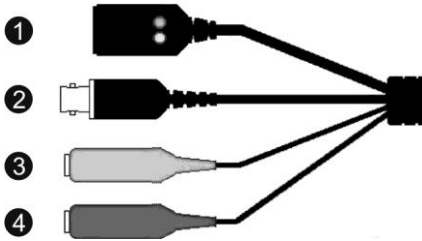
No.	Connector	Definition
1	PoE NETWORK	For Ethernet Cable and PSE connection
2	Network LEDs	Network connection and activity indication
3	Alarm I/O	1 Input - 3 Output -
		2 Input + 4 Output +
4	Power DC Jack	DC 12V connectors / Power connection
5	LINE IN & LINE OUT	Two-way audio transmission
6	VIDEO (BNC Connector)	For analog video output

1.5 All in One Cable (Outdoor Models Only)

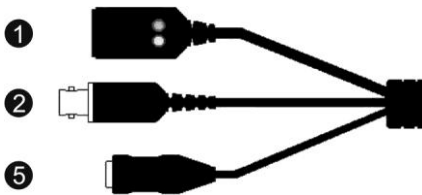
RJ-45 Cable



All in One Cable 1



All in One Cable 2

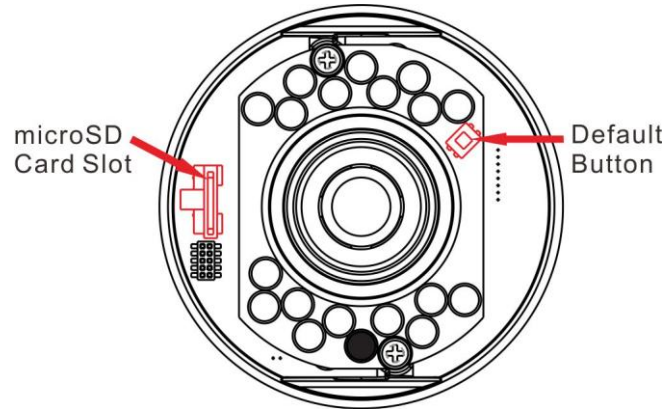


Pin Definition

No.	Connector	Definition	Remarks
1	RJ-45	For Ethernet Cable and PSE connection	
2	VIDEO (BNC Connector)	For analog video output	
3	Audio Out	Line Out	Two-way audio transmission
4	Audio In	Line In	
5	Power DC Jack	DC 12V connectors / Power connection	

1.6 microSD Card Slot / Default Button

The positions of the microSD Card Slot and the Default Button are shown as below.



microSD Card Slot

Insert the SD Card in the microSD Card Slot to store videos and snapshots.

Default Button

Press the button with a proper tool to restore the system to default setting.

2. Camera Cabling

Please follow the instructions below to complete IP Camera connection.

2.1 Connect Power

For power connection, please refer to section [1.4 Connectors](#) for Indoor models and see section [1.5 All in One Cable](#) for Outdoor models. Alternatively, users can power the camera by PoE. Refer to the section below to connect the Ethernet Cable for PoE connection.



NOTE: If PoE is used, make sure Power Sourcing Equipment (PSE) is in used in the network.

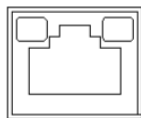
2.2 Connect Ethernet Cable

Use of Category 5 Ethernet Cable is recommended for network connection; to have best transmission quality, cable length shall not exceed 100 meters. Connect one end of the Ethernet Cable to the RJ-45 connector of the camera, and the other end of the cable to the network switch or PC.



NOTE: In some cases, Ethernet Crossover Cable might be needed when connecting the IP Camera directly to the PC.

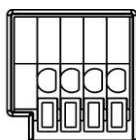
Check the status of the link indicator and activity indicator LEDs. If the LEDs are unlit, please check the LAN connection.



Green Link Light indicates good network connection.
Orange Activity Light flashes for network activity indication.

2.3 Connect Alarm I/O

The camera equips one alarm input and one relay output for alarm application. Refer to the alarm pin definition below to connect alarm devices to the Indoor Camera. For Outdoor models, there will be no Alarm I/O available.



I/O 1 2 3 4

PIN 1: Input - PIN 3: Output -
PIN 2: Input + PIN 4: Output +

3. System Requirements

To perform the IP Camera via web browser, please ensure the PC is in good network connection, and meet system requirements as described below.

Items	System Requirement
Personal Computer	1. Intel® Pentium® M, 2.16 GHz or Intel® Core™2 Duo, 2.0 GHz 2. 2 GB RAM or more
Operating System	Windows VISTA / Windows XP / Windows 7
Web Browser	Microsoft Internet Explorer 6.0 or later Firefox Chrome Safari
Network Card	10Base-T (10 Mbps) or 100Base-TX (100 Mbps) operation
Viewer	ActiveX control plug-in for Microsoft IE

4. Access Camera

For initial access to the camera, users can search the camera through the installer program: DeviceSearch.exe, which can be found in “Device Search” folder in the supplied CD.

Access Device Search Software

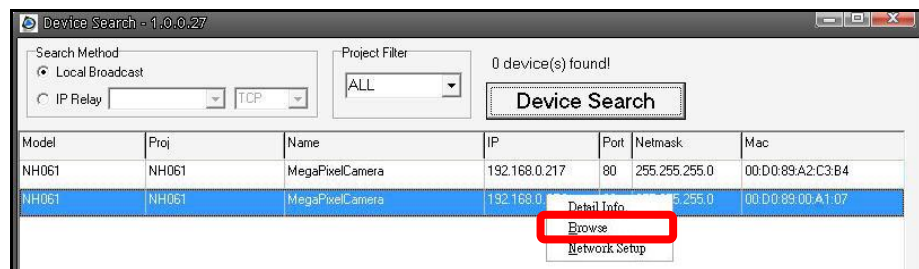
Step 1: Double click on the program Device Search.exe. After its window appeared, click on the <Device Search> button on the top side.

Step 2: The security alert window will pop up. Click on <Unblock> to continue.

Device Search

Step 3: Click on <Device Search> again, and all the finding IP devices will be listed in the page. The camera’s default IP address is: **192.168.0.250**.

Step 4: Double click or right click and select <Browse> to access the camera directly via web browser.



Step 5: A login window will pop up. Enter the administrator’s default login ID and password shown below to login to the camera.

Login ID	Password
Admin	1234



NOTE: ID and password are case sensitive.



NOTE: It is strongly advised that administrator’s password be altered for the security concerns. Refer to [Full HD Multiple Streams IP Camera Menu Tree](#) for further details.

Additionally, users can change the network property of the camera to DHCP or Static IP directly in the device finding list. Refer to the following section for changing the camera's network property.

Example of Changing IP Camera's Network Property- Static IP to DHCP

Step 1: In the finding device list, click on the camera which its network property is going to be changed. On the selected item, right click and select <Network Setup>. Meanwhile, record the MAC address of the camera, for future identification.

Step 2: The <Network Setup> page will come out. Select <DHCP>, and click on <Apply> button down the page.

Step 3: Click on <OK> on the Note of setting change. Wait for one minute to re-search the camera.

Step 4: Click on the <Device Search> button to re-search all the devices. Then double click on the camera with the correct MAC address.

Step 5: The login window will come out. Enter username and password to access the camera.

Installing DC Viewer Software Online

For the initial access to the camera, a client program, DC Viewer, will be automatically installed to the PC when connecting to the camera.

If the web browser doesn't allow DC Viewer installation, please check the Internet security settings or ActiveX controls and plug-ins settings (refer to [Internet Security Settings](#)) to continue the process.

The Information Bar (just below the URL bar) may come out and ask for permission to install the ActiveX Control for displaying video in browser. Right click on the Information Bar and select <Install ActiveX Control...> to allow the installation. Then the security warning window will pop up. Click on <Install> to carry on software installation.

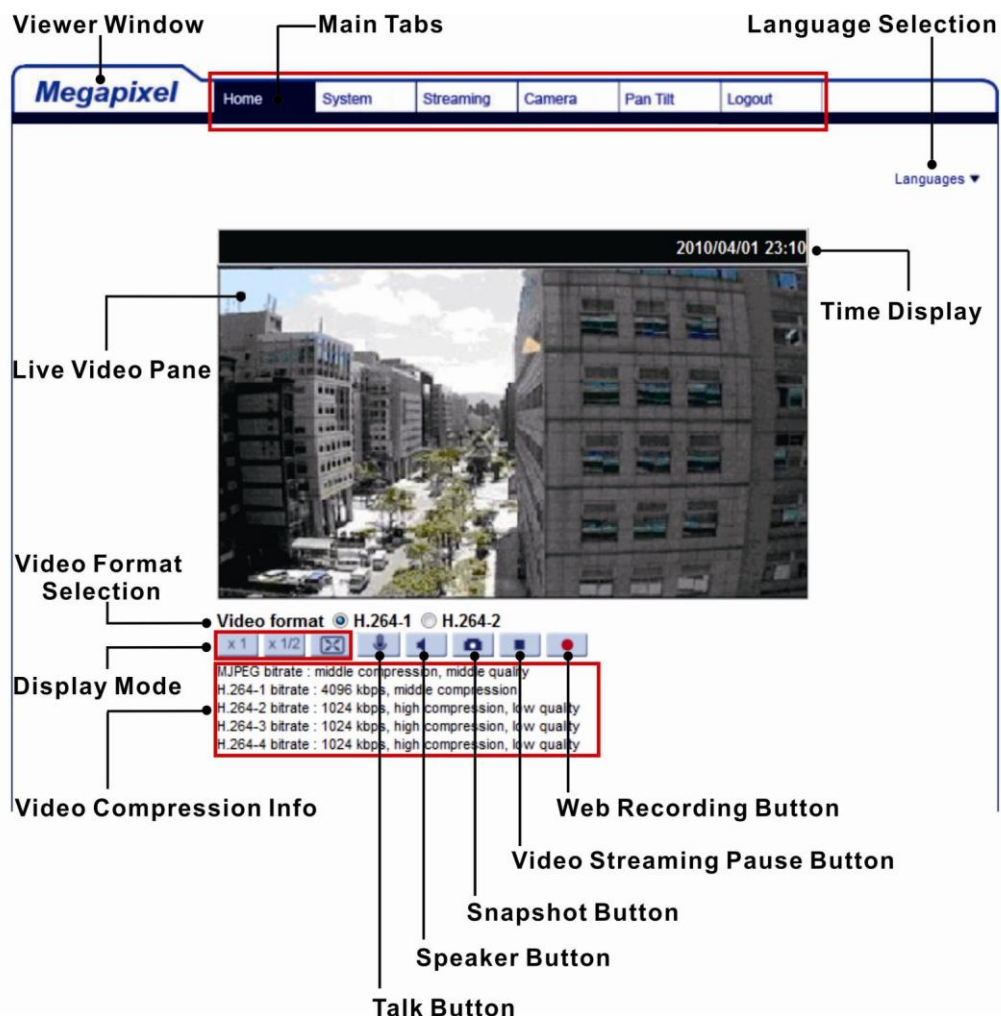
The download procedure of DC Viewer software is specified as follows.

Step 1: In the DC Viewer installation window, click on <Next> to start the installation.

Step 2: A status bar will be displayed to show the installation progress. After the installation is completed, click on <Finish> to exit the installation process.

Step 3: Click on <Finish> to close the DC Viewer installation page.

Once the DC Viewer is successfully installed, the IP Camera's Home page will be displayed as the figure below.



NOTE: Please refer to [Full HD Multiple Streams IP Camera Menu Tree](#) for more button function details.

5. Setup Video Resolution

Users can setup Video Resolution on Video Format page of the user-friendly browser-based configuration interface.

Video Format can be found under this path: **Streaming> Video Format**.

The screenshot shows the Megapixel configuration interface. The top navigation bar includes 'Home', 'System', 'Streaming', 'Camera', 'Pan Tilt', and 'Logout'. The 'Streaming' menu item is highlighted with a red box. On the left sidebar, the 'Video Format' option is highlighted with a red box. The main content area is titled 'Video Format' and contains the following settings:

- Video Resolution :** H.264 + H.264 (dropdown)
- H.264-1 format : 1920 x 1080 (30 fps) (dropdown)
- H.264-2 format : 720 x 480 (30 fps) (dropdown)
- BNC support : Yes
- Save button

Note :
Image attachment by FTP or E-mail will be available only while MJPEG streaming is selected.

Text Overlay Settings :

- Include date
- Include time
- Include text string: [text input field]
- Save button

Video Rotate Type :

- Normal video (dropdown)
- Save button

GOV Settings :

- H.264-1 GOV Length : 60
- H.264-2 GOV Length : 60
- H.264-3 GOV Length : 30
- H.264-4 GOV Length : 30
- Save button

H.264 Profile :

- H.264-1 : Main profile (dropdown)
- H.264-2 : Main profile (dropdown)
- H.264-3 : Main profile (dropdown)
- H.264-4 : Main profile (dropdown)
- Save button

The default value of Video Resolution is as below.

2M	H.264- 1920 x 1080 (30 fps) + H.264- 720 x 480 (30 fps)
-----------	---

For more Video Resolution combination details, please refer to [Appendix D: Video Resolution](#).

6. Configuration Files Export / Import

To export / import configuration files, users can access the Maintenance page on the user-friendly browser-based configuration interface.

The Maintenance setting can be found under this path: **System> Maintenance**.

Users can export configuration files to a specified location and retrieve data by uploading an existing configuration file to the IP Camera. It is especially convenient to make multiple cameras having the same configuration.

Export

Users can save the system settings by exporting the configuration file (.bin) to a specified location for future use. Click on the <Export> button, and the pop up File Download window will come out. Click on <Save> and specify a desired location for saving the configuration file.

Upload

To upload an existing configuration file to the IP Camera, please first click on <Browse> to select the configuration file, and then click on the <Upload> button for uploading.

Appendix A: Technical Specifications

Camera		2M
Image Sensor		1/2.7" Progressive CMOS
Effective Pixels		1920 (H) x 1080 (V)
Minimum Illumination		TBD
White Balance		Manual / AWB / ATW
Shutter Speed		1 ~ 1/10000 sec.
Lens		
Focal Length		3.0 ~ 6.0 mm / 3.6 mm / 4.0 mm / 2.8 mm
F Number		3.0 ~ 6.0 mm- F 2.0 3.6 mm- F 1.8 4.0 mm- F 1.5 2.8 mm- F 2.0
Operation		
Multiple Languages		English / French / German / Italian / Japanese / Korean / Portuguese / Russian / Simplified Chinese / Spanish / Traditional Chinese
Image Setting	Backlight Compensation	On / Off
	White Balance	Auto / Manual / ATW
	Noise Reduction (3D)	On / Off
	Wide Dynamic Range	On / Off
	Privacy Mask	On / Off
	Brightness	Manual
	Exposure	Auto / Manual
	Sharpness	Manual
	Contrast	Manual
	Saturation	Manual
	Hue	Manual
	Digital Zoom	Support
	Motion Detection	On / Off / By Schedule
	Privacy Mask Type	Color
	ICR	Auto / On / Off / Smart
ICR + IR LED	Auto / LED On / LED Off / Smart IR / Light Sensor	
Tampering Alarm	On / Off / By Schedule	
Audio	Two-way Audio	Indoor Terminal Block Outdoor Pone Jack*
	Compression	G.711 / G.726
Network		
Interface		RJ-45, 10/100 Mbps
Video Compression		H.264 / MJPEG
Video Streaming		Dual Streams- H.264 + MJPEG / H.264 + H.264 Quad Streams- H.264 x 4 / H.264 x 3 + MJPEG
Video Resolution		H.264- Full HD 1080P / SXGA / HD 720P / XGA / SVGA / D1 / VGA / CIF MJPEG- Full HD 1080P / SXGA / HD 720P / XGA / SVGA / D1 / VGA / CIF
Frame Rate		Single Stream- 1080P (30/25 fps) Dual Streams- 1080P (15/13 fps) + 720P (30/25 fps)
Protocol		IPv4/v6, TCP/IP, UDP, RTP, RTSP, HTTP, HTTPS, ICMP, FTP, SMTP, DHCP, PPPoE, UPnP, IGMP, SNMP, QoS, ONVIF
Security		HTTPS / IP Filter / IEEE 802.1x
Alarm	Input	1 Set, 5V 10kΩ pull up
	Output	1 Set, Photo Relay Output 300V DC/AC
Event Notification		HTTP / FTP / SMTP
microSD		microSDHC 32GB support
Supported Web Browser		Internet Explorer (6.0+) / Chrome / Firefox / Safari
User Account		20
Password Levels		User and Administrator

Mechanical			
Built-in IR Illuminator*	Working Distance		up to 15 m
	Wavelength		850 nm
	Number of LEDs		18
Power Connection			PoE / DC Jack*
Bracket			Cable Management*
LED Indicator			Power / Link / ACT
Connectors	Alarm	Indoor	4 of 7 Pin Terminal Block (Female)
		Outdoor	N/A
	Power	Indoor	DC Jack
		Outdoor	DC Jack of All in One Cable*
	Ethernet	Indoor	RJ-45
		Outdoor	RJ-45 of All in One Cable*
	Analog Video	Indoor	1.0 Vp-p / 75Ω, BNC
		Outdoor	BNC of All in One Cable*
	Audio	Indoor	3 of 7 Pin Terminal Block
		Outdoor	Phone Jack of All in One Cable*
General			
Operating Temperature			-10°C ~ 50°C (14°F ~ 122°F)
Humidity			10% ~ 90%, No Condensation
Weatherproof Standard			IP66 (Optional)
Dimension	Indoor		∅ 71.50 x 79.85 mm (∅ 2.82 x 3.14 in.)
	Outdoor		∅ 71.50 x 100.00 mm (∅ 2.82 x 3.94 in.)
	Outdoor w/ Cable Management		∅ 71.50 x 125.10 x 86.95 mm (∅ 2.82 x 4.93 x 3.42 in.)
Weight			330 g
Power Source			PoE / DC 12V
Power Consumption	System		2.5 W
	Built-in IR Illuminator		1.3 W
Regulatory			FCC / EMC / LVD / RoHS

(*) Optional

Camera		2M Real Time	
Image Sensor		1/2.7" Progressive CMOS	
Effective Pixels		1920 (H) x 1080 (V)	
Minimum Illumination		TBD	
White Balance		Manual / AWB / ATW	
Shutter Speed		1 ~ 1/10000 sec.	
Lens			
Focal Length		3.0 ~ 6.0 mm / 3.6 mm / 4.0 mm / 2.8 mm	
F Number		3.0 ~ 6.0 mm- F 2.0 3.6 mm- F 1.8 4.0 mm- F 1.5 2.8 mm- F 2.0	
Operation			
Multiple Languages		English / French / German / Italian / Japanese / Korean / Portuguese / Russian / Simplified Chinese / Spanish / Traditional Chinese	
Image Setting	Backlight Compensation		On / Off
	White Balance		Auto / Manual / ATW
	Noise Reduction (3D)		On / Off
	Wide Dynamic Range		On / Off
	Privacy Mask		On / Off
	Brightness		Manual
	Exposure		Auto / Manual
	Sharpness		Manual
	Contrast		Manual
	Saturation		Manual
	Hue		Manual
	Digital Zoom		Support
	Motion Detection		On / Off / By Schedule
	Privacy Mask Type		Color
	ICR		Auto / On / Off / Smart
ICR + IR LED		Auto / LED On / LED Off / Smart IR / Light Sensor	
Tampering Alarm		On / Off / By Schedule	
Audio	Two-way Audio	Indoor	Terminal Block
		Outdoor	Pone Jack*
	Compression		G.711 / G.726
Network			
Interface		RJ-45, 10/100 Mbps	
Video Compression		H.264 / MJPEG	
Video Streaming		Dual Streams- H.264 + MJPEG / H.264 + H.264 Quad Streams- H.264 x 4 / H.264 x 3 + MJPEG	
Video Resolution		H.264- Full HD 1080P / SXGA / HD 720P / XGA / SVGA / D1 / VGA / CIF MJPEG- Full HD 1080P / SXGA / HD 720P / XGA / SVGA / D1 / VGA / CIF	
Frame Rate		Dual Streams- 1080P (30/25 fps) + D1 (30/25 fps)	
Protocol		IPv4/v6, TCP/IP, UDP, RTP, RTSP, HTTP, HTTPS, ICMP, FTP, SMTP, DHCP, PPPoE, UPnP, IGMP, SNMP, QoS, ONVIF	
Security		HTTPS / IP Filter / IEEE 802.1x	
Alarm	Input	Indoor	1 Set, 5V 10kΩ pull up
		Outdoor	N/A
	Output	Indoor	1 Set, Photo Relay Output 300V DC/AC
		Outdoor	N/A
Event Notification		HTTP / FTP / SMTP	
microSD		microSDHC 32GB support	
Supported Web Browser		Internet Explorer (6.0+) / Chrome / Firefox / Safari	
User Account		20	
Password Levels		User and Administrator	

Mechanical			
Built-in IR Illuminator*	Working Distance		up to 15 m
	Wavelength		850 nm
	Number of LEDs		18
Power Connection		PoE / DC Jack*	
Bracket		Cable Management*	
LED Indicator		Power / Link / ACT	
Connectors	Alarm	Indoor	4 of 7 Pin Terminal Block (Female)
		Outdoor	N/A
	Power	Indoor	DC Jack
		Outdoor	DC Jack of All in One Cable*
	Ethernet	Indoor	RJ-45
		Outdoor	RJ-45 of All in One Cable*
	Analog Video	Indoor	1.0 Vp-p / 75Ω, BNC
		Outdoor	BNC of All in One Cable*
	Audio	Indoor	3 of 7 Pin Terminal Block
		Outdoor	Phone Jack of All in One Cable*
General			
Operating Temperature		-10°C ~ 50°C (14°F ~ 122°F)	
Humidity		10% ~ 90%, No Condensation	
Weatherproof Standard		IP66 (Optional)	
Dimension	Indoor		∅ 71.50 x 79.85 mm (∅ 2.82 x 3.14 in.)
	Outdoor		∅ 71.50 x 100.00 mm (∅ 2.82 x 3.94 in.)
	Outdoor w/ Cable Management		∅ 71.50 x 125.10 x 86.95 mm (∅ 2.82 x 4.93 x 3.42 in.)
Weight		330 g	
Power Source		PoE / DC 12V	
Power Consumption	System		2.5 W
	Built-in IR Illuminator		1.3 W
Regulatory		FCC / EMC / LVD / RoHS	

(*) Optional

Appendix B: Delete the Existing DC Viewer

For users who have installed DC Viewer in the PC previously, please remove the existing DC Viewer before accessing the IP Camera.

Deleting the DC Viewer

Activate the <Control Panel>, and then double click on <Add or Remove Programs>. In the <Currently installed programs> list, select <DC Viewer> and click on <Remove> to uninstall the existing DC Viewer.

Deleting Temporary Internet Files

To improve browser performance, it is suggested to clean up all the files in the <Temporary Internet Files>. The procedure is as follows.

Step 1: In the web browser, click on the <Tools> tab on the menu bar and select <Internet Options>.

Step 2: Click on the <Delete> button under the <Browsing History> section.

Step 3: In the appeared window, tick the box beside <Temporary Internet Files> and click on <Delete> to start deleting the files.

Appendix C: Setup Internet Security

If ActiveX control installation is blocked, please either set Internet security level to default or change ActiveX controls and plug-ins settings.

Internet Security Level: Default

Step 1: Start the Internet Explorer (IE).

Step 2: Click on the <Tools> tab on the menu bar and select <Internet Options>.

Step 3: Click on the <Security> tab, and select <Internet> zone.

Step 4: Down the page, click on the <Default Level> button and click on <OK> to confirm the setting. Close the browser window, and restart a new one later to access the camera.

ActiveX Controls and Plug-ins Settings

Step 1: Repeat **Steps 1 ~ 3** of the previous section above.

Step 2: Down the page, click on the <Custom Level> button to change ActiveX controls and plug-ins settings. The Security Settings window will pop up.

Step 3: Under <ActiveX controls and plug-ins>, set **ALL** items (as listed below) to <Enable> or <Prompt>. Please note that the items vary by IE version.

ActiveX controls and plug-ins settings:

1. Binary and script behaviors.
2. Download signed ActiveX controls.
3. Download unsigned ActiveX controls.
4. Allow previously unused ActiveX controls to run without prompt.
5. Allow Scriptlets.
6. Automatic prompting for ActiveX controls.
7. Initialize and script ActiveX controls not marked as safe for scripting.
8. Run ActiveX controls and plug-ins.
9. Only allow approved domains to use ActiveX without prompt.
10. Script ActiveX controls marked safe for scripting*.
11. Display video and animation on a webpage that does not use external media player.

Step 4: Click on <OK> to accept the settings. A prompt window will appear for confirming the setting changes, click <Yes(Y)> to close the Security Setting window.

Step 5: Click on <OK> to close the Internet Options screen.

Step 6: Close the browser window, and restart a new one later to access the camera.

Appendix D: Video Resolution

2M- Quad Streams

H.264 + H.264 + H.264 + H.264 / MJPEG				
H.264-1	H.264-2	H.264-3	H.264-4 / MJPEG	
1920 x 1080 (15 fps)	1280 x 1024 (15 fps)	720 x 480 (15 fps)	352 x 240 (30 fps)	
		640 x 480 (15 fps)	352 x 240 (30 fps)	
		352 x 240 (30 fps)	352 x 240 (30 fps)	
	1280 x 720 (15 fps)	800 x 600 (15 fps)	720 x 480 (15 fps)	720 x 480 (15 fps)
			640 x 480 (15 fps)	640 x 480 (15 fps)
			352 x 240 (30 fps)	352 x 240 (30 fps)
			352 x 240 (30 fps)	352 x 240 (30 fps)
		720 x 480 (15 fps)	720 x 480 (15 fps)	720 x 480 (15 fps)
			640 x 480 (15 fps)	640 x 480 (15 fps)
			352 x 240 (30 fps)	352 x 240 (30 fps)
			352 x 240 (30 fps)	352 x 240 (30 fps)
	1024 x 768 (15 fps)	800 x 600 (15 fps)	720 x 480 (15 fps)	720 x 480 (15 fps)
			640 x 480 (15 fps)	640 x 480 (15 fps)
			352 x 240 (30 fps)	352 x 240 (30 fps)
			352 x 240 (30 fps)	352 x 240 (30 fps)
		720 x 480 (15 fps)	720 x 480 (15 fps)	720 x 480 (15 fps)
			640 x 480 (15 fps)	640 x 480 (15 fps)
			352 x 240 (30 fps)	352 x 240 (30 fps)
			352 x 240 (30 fps)	352 x 240 (30 fps)
	800 x 600 (15 fps)	800 x 600 (15 fps)	720 x 480 (15 fps)	720 x 480 (15 fps)
			640 x 480 (15 fps)	640 x 480 (15 fps)
			352 x 240 (30 fps)	352 x 240 (30 fps)
		720 x 480 (15 fps)	720 x 480 (15 fps)	720 x 480 (15 fps)
			640 x 480 (15 fps)	640 x 480 (15 fps)
			352 x 240 (30 fps)	352 x 240 (30 fps)
	800 x 600 (30 fps)	800 x 600 (30 fps)	720 x 480 (30 fps)	720 x 480 (30 fps)
			640 x 480 (30 fps)	640 x 480 (30 fps)
			352 x 240 (30 fps)	352 x 240 (30 fps)
	720 x 480 (15 fps)	720 x 480 (15 fps)	720 x 480 (15 fps)	720 x 480 (15 fps)
			640 x 480 (15 fps)	640 x 480 (15 fps)
			352 x 240 (30 fps)	352 x 240 (30 fps)
	720 x 480 (30 fps)	720 x 480 (30 fps)	720 x 480 (30 fps)	720 x 480 (30 fps)
			640 x 480 (30 fps)	640 x 480 (30 fps)
352 x 240 (30 fps)			352 x 240 (30 fps)	
640 x 480 (30 fps)	640 x 480 (30 fps)	640 x 480 (30 fps)	640 x 480 (30 fps)	
		352 x 240 (30 fps)	352 x 240 (30 fps)	
352 x 240 (30 fps)	352 x 240 (30 fps)	352 x 240 (30 fps)	352 x 240 (30 fps)	
		352 x 240 (30 fps)	352 x 240 (30 fps)	

H.264 + H.264 + H.264 + H.264 / MJPEG				
H.264-1	H.264-2	H.264-3	H.264-4 / MJPEG	
1280 x 1024 (15 fps)	1280 x 1024 (15 fps)	1280 x 720 (15 fps)	720 x 480 (30 fps)	
			640 x 480 (30 fps)	
			352 x 240 (30 fps)	
		1280 x 1024 (15 fps)	800 x 600 (15 fps)	720 x 480 (30 fps)
				640 x 480 (30 fps)
			800 x 600 (30 fps)	352 x 240 (30 fps)
			720 x 480 (15 fps)	720 x 480 (30 fps)
			720 x 480 (30 fps)	640 x 480 (30 fps)
	640 x 480 (30 fps)		640 x 480 (30 fps)	
			352 x 240 (30 fps)	
	352 x 240 (30 fps)	352 x 240 (30 fps)		
	1280 x 720 (15 fps)	1280 x 720 (15 fps)	1280 x 720 (15 fps)	720 x 480 (30 fps)
				640 x 480 (30 fps)
				352 x 240 (30 fps)
		800 x 600 (30 fps)	800 x 600 (30 fps)	720 x 480 (30 fps)
				640 x 480 (30 fps)
				352 x 240 (30 fps)
		720 x 480 (30 fps)	720 x 480 (30 fps)	720 x 480 (30 fps)
				640 x 480 (30 fps)
	640 x 480 (30 fps)	640 x 480 (30 fps)	640 x 480 (30 fps)	
			352 x 240 (30 fps)	
	1280 x 720 (30 fps)	1280 x 720 (30 fps)	352 x 240 (30 fps)	352 x 240 (30 fps)
	1024 x 768 (15 fps)	1024 x 768 (15 fps)	800 x 600 (30 fps)	720 x 480 (30 fps)
				640 x 480 (30 fps)
			720 x 480 (30 fps)	720 x 480 (30 fps)
				640 x 480 (30 fps)
	1024 x 768 (30 fps)	1024 x 768 (30 fps)	720 x 480 (30 fps)	352 x 240 (30 fps)
			640 x 480 (30 fps)	352 x 240 (30 fps)
			352 x 240 (30 fps)	352 x 240 (30 fps)
	800 x 600 (15 fps)	800 x 600 (15 fps)	800 x 600 (30 fps)	720 x 480 (30 fps)
	800 x 600 (30 fps)	800 x 600 (30 fps)	800 x 600 (30 fps)	640 x 480 (30 fps)
				352 x 240 (30 fps)
720 x 480 (30 fps)				
720 x 480 (30 fps)		720 x 480 (30 fps)	640 x 480 (30 fps)	
			640 x 480 (30 fps)	
			352 x 240 (30 fps)	
640 x 480 (30 fps)	640 x 480 (30 fps)	640 x 480 (30 fps)		
		352 x 240 (30 fps)		
		720 x 480 (30 fps)		
720 x 480 (30 fps)	720 x 480 (30 fps)	720 x 480 (30 fps)	720 x 480 (30 fps)	
			640 x 480 (30 fps)	
		640 x 480 (30 fps)	640 x 480 (30 fps)	
			352 x 240 (30 fps)	
640 x 480 (30 fps)	640 x 480 (30 fps)	640 x 480 (30 fps)		
		352 x 240 (30 fps)		
1280 x 1024 (30 fps)	800 x 600 (30 fps)	352 x 240 (30 fps)	352 x 240 (30 fps)	
	720 x 480 (30 fps)	352 x 240 (30 fps)	352 x 240 (30 fps)	
	640 x 480 (30 fps)	352 x 240 (30 fps)	352 x 240 (30 fps)	
	352 x 240 (30 fps)	352 x 240 (30 fps)	352 x 240 (30 fps)	

H.264 + H.264 + H.264 + H.264 / MJPEG				
H.264-1	H.264-2	H.264-3	H.264-4 / MJPEG	
1280 x 720 (15 fps)	1280 x 720 (15 fps)	1280 x 720 (15 fps)	720 x 480 (30 fps)	
			640 x 480 (30 fps)	
		1280 x 720 (30 fps)	352 x 240 (30 fps)	
		800 x 600 (30 fps)	720 x 480 (30 fps)	
			640 x 480 (30 fps)	
		720 x 480 (30 fps)	720 x 480 (30 fps)	
		640 x 480 (30 fps)	640 x 480 (30 fps)	
	1280 x 720 (30 fps)	1280 x 720 (30 fps)	800 x 600 (30 fps)	352 x 240 (30 fps)
				352 x 240 (30 fps)
				352 x 240 (30 fps)
				352 x 240 (30 fps)
	1024 x 768 (15 fps)	1024 x 768 (15 fps)	800 x 600 (30 fps)	720 x 480 (30 fps)
				640 x 480 (30 fps)
	1024 x 768 (30 fps)	1024 x 768 (30 fps)	800 x 600 (30 fps)	352 x 240 (30 fps)
				720 x 480 (30 fps)
				640 x 480 (30 fps)
			352 x 240 (30 fps)	352 x 240 (30 fps)
			640 x 480 (30 fps)	640 x 480 (30 fps)
			640 x 480 (30 fps)	352 x 240 (30 fps)
			352 x 240 (30 fps)	352 x 240 (30 fps)
	800 x 600 (30 fps)	800 x 600 (30 fps)	800 x 600 (30 fps)	720 x 480 (30 fps)
				640 x 480 (30 fps)
				352 x 240 (30 fps)
				720 x 480 (30 fps)
				640 x 480 (30 fps)
	1280 x 720 (30 fps)	1024 x 768 (30 fps)	352 x 240 (30 fps)	352 x 240 (30 fps)
		800 x 600 (30 fps)	720 x 480 (30 fps)	352 x 240 (30 fps)
				640 x 480 (30 fps)
720 x 480 (30 fps)		720 x 480 (30 fps)	720 x 480 (30 fps)	720 x 480 (30 fps)
			640 x 480 (30 fps)	640 x 480 (30 fps)
			352 x 240 (30 fps)	352 x 240 (30 fps)
		640 x 480 (30 fps)	640 x 480 (30 fps)	640 x 480 (30 fps)
		352 x 240 (30 fps)	352 x 240 (30 fps)	352 x 240 (30 fps)
640 x 480 (30 fps)		640 x 480 (30 fps)	640 x 480 (30 fps)	640 x 480 (30 fps)
				352 x 240 (30 fps)
352 x 240 (30 fps)	352 x 240 (30 fps)	352 x 240 (30 fps)	352 x 240 (30 fps)	
1024 x 768 (15 fps)	1024 x 768 (15 fps)	800 x 600 (30 fps)	720 x 480 (30 fps)	
			640 x 480 (30 fps)	
	1024 x 768 (30 fps)	800 x 600 (30 fps)	352 x 240 (30 fps)	720 x 480 (30 fps)
			720 x 480 (30 fps)	640 x 480 (30 fps)
			640 x 480 (30 fps)	352 x 240 (30 fps)
		640 x 480 (30 fps)	640 x 480 (30 fps)	640 x 480 (30 fps)
800 x 600 (30 fps)	800 x 600 (30 fps)	800 x 600 (30 fps)	720 x 480 (30 fps)	
			640 x 480 (30 fps)	

2M- Triple Streams

H.264-1 + H.264-2 + H.264-3 / MJPEG		
H.264-1	H.264-2	H.264-3 / MJPEG
1920 x 1080 (15 fps)	1280 x 1024 (15 fps)	800 x 600 (15 fps)
		720 x 480 (15 fps)
		640 x 480 (15 fps)
		352 x 240 (30 fps)
	1280 x 720 (15 fps)	1280 x 720 (15 fps)
		800 x 600 (15 fps)
		720 x 480 (30 fps)
		640 x 480 (30 fps)
	1024 x 768 (15 fps)	352 x 240 (30 fps)
		800 x 600 (30 fps)
	1024 x 768 (30 fps)	720 x 480 (30 fps)
		640 x 480 (30 fps)
	800 x 600 (15 fps)	640 x 480 (30 fps)
		352 x 240 (30 fps)
800 x 600 (30 fps)	720 x 480 (30 fps)	
	640 x 480 (30 fps)	
720 x 480 (30 fps)	352 x 240 (30 fps)	
	720 x 480 (30 fps)	
	640 x 480 (30 fps)	
	352 x 240 (30 fps)	
640 x 480 (30 fps)	640 x 480 (30 fps)	
	352 x 240 (30 fps)	
352 x 240 (30fps)	352 x 240 (30fps)	
1280 x 1024 (15 fps)	1280 x 1024 (15 fps)	1280 x 720 (15 fps)
		800 x 600 (30 fps)
		720 x 480 (30 fps)
		640 x 480 (30 fps)
		352 x 240 (30 fps)
	1280 x 720 (15 fps)	1280 x 720 (15 fps)
		800 x 600 (30 fps)
	1280 x 720 (30 fps)	720 x 480 (30 fps)
		640 x 480 (30 fps)
		352 x 240 (30 fps)
	1024 x 768 (30 fps)	800 x 600 (30 fps)
		720 x 480 (30 fps)
		640 x 480 (30 fps)
		352 x 240 (30 fps)
800 x 600 (30 fps)	800 x 600 (30 fps)	
	720 x 480 (30 fps)	
	640 x 480 (30 fps)	
720 x 480 (30 fps)	720 x 480 (30 fps)	
800 x 600 (30 fps)	352 x 240 (30 fps)	
1280 x 1024 (30 fps)	720 x 480 (30 fps)	640 x 480 (30 fps)
		352 x 240 (30 fps)
	640 x 480 (30 fps)	640 x 480 (30 fps)
		352 x 240 (30 fps)
	352 x 240 (30 fps)	352 x 240 (30 fps)
1280 x 720 (15 fps)	1280 x 720 (15 fps)	1280 x 720 (30 fps)
	1280 x 720 (30 fps)	800 x 600 (30 fps)
		720 x 480 (30 fps)
		640 x 480 (30 fps)
	1024 x 768 (30 fps)	800 x 600 (30 fps)
		720 x 480 (30 fps)
640 x 480 (30 fps)	640 x 480 (30 fps)	

H.264-1 + H.264-2 + H.264-3 / MJPEG			
H.264-1	H.264-2	H.264-3 / MJPEG	
1280 x 720 (30 fps)	1280 x 720 (30 fps)	352 x 240 (30 fps)	
	1024 x 768 (30 fps)	352 x 240 (30 fps)	
	800 x 600 (30 fps)	800 x 600 (30 fps)	800 x 600 (30 fps)
			720 x 480 (30 fps)
			640 x 480 (30 fps)
			352 x 240 (30 fps)
	720 x 480 (30 fps)	720 x 480 (30 fps)	720 x 480 (30 fps)
			640 x 480 (30 fps)
352 x 240 (30 fps)			
640 x 480 (30 fps)	640 x 480 (30 fps)	640 x 480 (30 fps)	
		352 x 240 (30 fps)	
352 x 240 (30 fps)	352 x 240 (30 fps)	352 x 240 (30 fps)	
1024 x 768 (15 fps)	1024 x 768 (30 fps)	800 x 600 (30 fps)	
1024 x 768 (30 fps)	1024 x 768 (30 fps)	720 x 480 (30 fps)	
		640 x 480 (30 fps)	
		352 x 240 (30 fps)	
	800 x 600 (30 fps)	800 x 600 (30 fps)	800 x 600 (30 fps)
			720 x 480 (30 fps)
			640 x 480 (30 fps)
			352 x 240 (30 fps)
	720 x 480 (30 fps)	720 x 480 (30 fps)	720 x 480 (30 fps)
			640 x 480 (30 fps)
			352 x 240 (30 fps)
	640 x 480 (30 fps)	640 x 480 (30 fps)	640 x 480 (30 fps)
			352 x 240 (30 fps)
352 x 240 (30 fps)	352 x 240 (30 fps)	352 x 240 (30 fps)	
800 x 600 (30 fps)	800 x 600 (30 fps)	800 x 600 (30 fps)	
		720 x 480 (30 fps)	
		640 x 480 (30 fps)	
		352 x 240 (30 fps)	
	720 x 480 (30 fps)	720 x 480 (30 fps)	720 x 480 (30 fps)
			640 x 480 (30 fps)
720 x 480 (30 fps)	720 x 480 (30 fps)	640 x 480 (30 fps)	
		352 x 240 (30 fps)	
		640 x 480 (30 fps)	
		352 x 240 (30 fps)	
720 x 480 (30 fps)	720 x 480 (30 fps)	720 x 480 (30 fps)	
		640 x 480 (30 fps)	
		352 x 240 (30 fps)	
640 x 480 (30 fps)	640 x 480 (30 fps)	640 x 480 (30 fps)	
		352 x 240 (30 fps)	
		352 x 240 (30 fps)	
352 x 240 (30 fps)	352 x 240 (30 fps)	352 x 240 (30 fps)	

2M- Dual Streams

H.264-1 + H.264-2 / MJPEG		
H.264-1	H.264-2 / MJPEG	BNC SUPPORT
1920 x 1080 (15 fps)	1280 x 1024 (15 fps)	-
	1280 x 720 (30 fps)	-
	1024 x 768 (30 fps)	-
	800 x 600 (30 fps)	-
	720 x 480 (30 fps)	√
	640 x 480 (30 fps)	√
	352 x 240 (30 fps)	√
1280 x 1024 (30 fps)	1280 x 1024 (15 fps)	√
	1280 x 720 (15 fps)	-
	1024 x 768 (15 fps)	-
	800 x 600 (30 fps)	-
	720 x 480 (30 fps)	√
	640 x 480 (30 fps)	√
1280 x 720 (30 fps)	352 x 240 (30 fps)	√
	1280 x 720 (30 fps)	√
	1024 x 768 (30 fps)	-
	800 x 600 (30 fps)	-
	720 x 480 (30 fps)	√
	640 x 480 (30 fps)	√
1024 x 768 (30 fps)	352 x 240 (30 fps)	√
	1024 x 768 (30 fps)	√
	800 x 600 (30 fps)	-
	720 x 480 (30 fps)	√
	640 x 480 (30 fps)	√
800 x 600 (30 fps)	352 x 240 (30 fps)	√
	800 x 600 (30 fps)	√
	720 x 480 (30 fps)	√
	640 x 480 (30 fps)	√
720 x 480 (30 fps)	352 x 240 (30 fps)	√
	720 x 480 (30 fps)	√
	640 x 480 (30 fps)	√
640 x 480 (30 fps)	640 x 480 (30 fps)	√
	352 x 240 (30 fps)	√
352 x 240 (30 fps)	352 x 240 (30 fps)	-

2M- Single Stream

H.264 Only	BNC SUPPORT
1920 x 1080 (15 fps) Low Latency	-
1920 x 1080 (15 fps)	√
1280 x 1024 (30 fps)	√
1280 x 720 (30 fps)	√
1024 x 768 (30 fps)	√
800 x 600 (30 fps)	√
720 x 480 (30 fps)	√
640 x 480 (30 fps)	√
352 x 240 (30 fps)	-

MJPEG Only	BNC SUPPORT
1920 x 1080 (15 fps)	√
1280 x 1024 (30 fps)	√
1280 x 720 (30 fps)	√
1024 x 768 (30 fps)	√
800 x 600 (30 fps)	√
720 x 480 (30 fps)	√
640 x 480 (30 fps)	√
352 x 240 (30 fps)	-

2M Real time / 3M / 5M- Quad Streams

H.264 + H.264 + H.264 + H.264 / MJPEG				
H.264-1	H.264-2	H.264-3	H.264-4 / MJPEG	
2592 x 1944 (12 fps)	720 x 480 (12 fps)	720 x 480 (12 fps)	352 x 240 (12 fps)	
		640 x 480 (12 fps)	640 x 480 (12 fps)	
		352 x 240 (12 fps)	352 x 240 (12 fps)	
	640 x 480 (12 fps)	640 x 480 (12 fps)	640 x 480 (12 fps)	640 x 480 (12 fps)
		640 x 480 (12 fps)	352 x 240 (12 fps)	352 x 240 (12 fps)
		352 x 240 (12 fps)	352 x 240 (12 fps)	352 x 240 (12 fps)

*The resolution is for 5M Model only.

H.264 + H.264 + H.264 + H.264 / MJPEG					
H.264-1	H.264-2	H.264-3	H.264-4 / MJPEG		
2048 x 1536 (15 fps)	1280 x 720 (15 fps)	720 x 480 (15 fps)	640 x 480 (15 fps)		
			352 x 240 (15 fps)		
		640 x 480 (15 fps)	640 x 480 (15 fps)		
	800 x 600 (15 fps)	352 x 240 (15 fps)	352 x 240 (15 fps)	352 x 240 (15 fps)	
		800 x 600 (15 fps)	800 x 600 (15 fps)	720 x 480 (15 fps)	
				640 x 480 (15 fps)	
				352 x 240 (15 fps)	
		720 x 480 (15 fps)	720 x 480 (15 fps)	720 x 480 (15 fps)	720 x 480 (15 fps)
				640 x 480 (15 fps)	640 x 480 (15 fps)
				352 x 240 (15 fps)	352 x 240 (15 fps)
			640 x 480 (15 fps)	640 x 480 (15 fps)	640 x 480 (15 fps)
				352 x 240 (15 fps)	352 x 240 (15 fps)
	352 x 240 (15 fps)		352 x 240 (15 fps)	352 x 240 (15 fps)	
	720 x 480 (15 fps)	720 x 480 (15 fps)	720 x 480 (15 fps)	720 x 480 (15 fps)	
			640 x 480 (15 fps)	640 x 480 (15 fps)	
			352 x 240 (15 fps)	352 x 240 (15 fps)	
	640 x 480 (15 fps)	640 x 480 (15 fps)	640 x 480 (15 fps)	640 x 480 (15 fps)	
			352 x 240 (15 fps)	352 x 240 (15 fps)	
		352 x 240 (15 fps)	352 x 240 (15 fps)	352 x 240 (15 fps)	
	352 x 240 (15 fps)	352 x 240 (15 fps)	352 x 240 (15 fps)	352 x 240 (15 fps)	

*The resolution is for 3M & 5M Model only.

H.264 + H.264 + H.264 + H.264 / MJPEG					
H.264-1	H.264-2	H.264-3	H.264-4 / MJPEG		
1920 x 1080 (15 fps)	1280 x 1024 (15 fps)	1280 x 720 (15 fps)	720 x 480 (15 fps)		
			640 x 480 (15 fps)		
			352 x 240 (30 fps)		
		800 x 600 (15 fps)	720 x 480 (30 fps)	720 x 480 (30 fps)	
				640 x 480 (30 fps)	
			800 x 600 (30 fps)	352 x 240 (30 fps)	
				720 x 480 (30 fps)	
			720 x 480 (15 fps)	720 x 480 (30 fps)	
				640 x 480 (30 fps)	
			720 x 480 (30 fps)	640 x 480 (30 fps)	
		352 x 240 (30 fps)			
		1280 x 720 (15 fps)	1280 x 720 (15 fps)	1280 x 720 (15 fps)	720 x 480 (30 fps)
					640 x 480 (30 fps)
					352 x 240 (30 fps)
	800 x 600 (30 fps)			720 x 480 (30 fps)	
			640 x 480 (30 fps)		
			352 x 240 (30 fps)		
	720 x 480 (30 fps)		720 x 480 (30 fps)		
			640 x 480 (30 fps)		
			352 x 240 (30 fps)		
	1280 x 720 (30 fps)		720 x 480 (30 fps)		
		640 x 480 (30 fps)			
		352 x 240 (30 fps)			
	1024 x 768 (15 fps)	1024 x 768 (15 fps)	800 x 600 (30 fps)	720 x 480 (30 fps)	
				640 x 480 (30 fps)	
			720 x 480 (30 fps)	720 x 480 (30 fps)	
		640 x 480 (30 fps)			
		640 x 480 (30 fps)			
		1024 x 768 (30 fps)	1024 x 768 (30 fps)	800 x 600 (30 fps)	
	720 x 480 (30 fps)				
	640 x 480 (30 fps)				
	352 x 240 (30 fps)				
800 x 600 (30 fps)	800 x 600 (30 fps)	800 x 600 (30 fps)	720 x 480 (30 fps)		
			640 x 480 (30 fps)		
			352 x 240 (30 fps)		
		720 x 480 (30 fps)	720 x 480 (30 fps)		
			640 x 480 (30 fps)		
	640 x 480 (30 fps)	640 x 480 (30 fps)			
		352 x 240 (30 fps)			
		352 x 240 (30 fps)			
	720 x 480 (30 fps)	720 x 480 (30 fps)	720 x 480 (30 fps)	720 x 480 (30 fps)	
				640 x 480 (30 fps)	
352 x 240 (30 fps)					
640 x 480 (30 fps)			640 x 480 (30 fps)		
		352 x 240 (30 fps)			
		352 x 240 (30 fps)			
640 x 480 (30 fps)		640 x 480 (30 fps)	640 x 480 (30 fps)		
	352 x 240 (30 fps)				
	352 x 240 (30 fps)				
1920 x 1080 (30 fps)	352 x 240 (30 fps)	352 x 240 (30 fps)	352 x 240 (30 fps)		

H.264 + H.264 + H.264 + H.264 / MJPEG				
H.264-1	H.264-2	H.264-3	H.264-4 / MJPEG	
1280 x 1024 (15 fps)	1280 x 1024 (15 fps)	1280 x 720 (15 fps)	720 x 480 (30 fps)	
			640 x 480 (30 fps)	
		1280 x 720 (30 fps)	352 x 240 (30 fps)	
		800 x 600 (30 fps)	720 x 480 (30 fps)	
			640 x 480 (30 fps)	
			352 x 240 (30 fps)	
	720 x 480 (30 fps)	720 x 480 (30 fps)		
		640 x 480 (30 fps)		
		640 x 480 (30 fps)		
	640 x 480 (30 fps)	720 x 480 (30 fps)		
		640 x 480 (30 fps)		
		352 x 240 (30 fps)		
	1280 x 1024 (30 fps)	1280 x 1024 (30 fps)	720 x 480 (30 fps)	
			640 x 480 (30 fps)	
			352 x 240 (30 fps)	
	1280 x 720 (15 fps)	1280 x 720 (30 fps)	720 x 480 (30 fps)	
			640 x 480 (30 fps)	
			352 x 240 (30 fps)	
	1280 x 1024 (15 fps)	1280 x 720 (30 fps)	800 x 600 (30 fps)	720 x 480 (30 fps)
				640 x 480 (30 fps)
				352 x 240 (30 fps)
			720 x 480 (30 fps)	720 x 480 (30 fps)
				640 x 480 (30 fps)
				352 x 240 (30 fps)
640 x 480 (30 fps)		640 x 480 (30 fps)		
		352 x 240 (30 fps)		
		352 x 240 (30 fps)		
1024 x 768 (30 fps)		800 x 600 (30 fps)	800 x 600 (30 fps)	720 x 480 (30 fps)
				640 x 480 (30 fps)
				352 x 240 (30 fps)
	720 x 480 (30 fps)	720 x 480 (30 fps)		
		640 x 480 (30 fps)		
		352 x 240 (30 fps)		
800 x 600 (30 fps)	800 x 600 (30 fps)	800 x 600 (30 fps)	720 x 480 (30 fps)	
			640 x 480 (30 fps)	
			720 x 480 (30 fps)	
1280 x 1024 (30 fps)	1024 x 768 (30 fps)	352 x 240 (30 fps)	352 x 240 (30 fps)	
	800 x 600 (30 fps)	800 x 600 (30 fps)	352 x 240 (30 fps)	
			720 x 480 (30 fps)	
			640 x 480 (30 fps)	
			352 x 240 (30 fps)	
	720 x 480 (30 fps)	720 x 480 (30 fps)	720 x 480 (30 fps)	720 x 480 (30 fps)
				640 x 480 (30 fps)
				352 x 240 (30 fps)
		640 x 480 (30 fps)	640 x 480 (30 fps)	640 x 480 (30 fps)
				352 x 240 (30 fps)
				352 x 240 (30 fps)
	640 x 480 (30 fps)	640 x 480 (30 fps)	640 x 480 (30 fps)	640 x 480 (30 fps)
			352 x 240 (30 fps)	
352 x 240 (30 fps)	352 x 240 (30 fps)	352 x 240 (30 fps)	352 x 240 (30 fps)	
1280 x 720 (15 fps)	1280 x 720 (15 fps)	1280 x 720 (30 fps)	720 x 480 (30 fps)	
			640 x 480 (30 fps)	
	1280 x 720 (30 fps)	1280 x 720 (30 fps)	1280 x 720 (30 fps)	352 x 240 (30 fps)
				720 x 480 (30 fps)
		800 x 600 (30 fps)	800 x 600 (30 fps)	640 x 480 (30 fps)
				720 x 480 (30 fps)
	720 x 480 (30 fps)	720 x 480 (30 fps)	720 x 480 (30 fps)	640 x 480 (30 fps)
				640 x 480 (30 fps)
1024 x 768 (30 fps)	800 x 600 (30 fps)	800 x 600 (30 fps)	720 x 480 (30 fps)	
			640 x 480 (30 fps)	

H.264 + H.264 + H.264 + H.264 / MJPEG				
H.264-1	H.264-2	H.264-3	H.264-4 / MJPEG	
1280 x 720 (30 fps)	1280 x 720 (30 fps)	800 x 600 (30 fps)	352 x 240 (30 fps)	
		720 x 480 (30 fps)	352 x 240 (30 fps)	
		640 x 480 (30 fps)	352 x 240 (30 fps)	
		352 x 240 (30 fps)	352 x 240 (30 fps)	
	1024 x 768 (30 fps)	800 x 600 (30 fps)	800 x 600 (30 fps)	352 x 240 (30 fps)
			720 x 480 (30 fps)	720 x 480 (30 fps)
			640 x 480 (30 fps)	640 x 480 (30 fps)
		720 x 480 (30 fps)	640 x 480 (30 fps)	352 x 240 (30 fps)
			352 x 240 (30 fps)	352 x 240 (30 fps)
			352 x 240 (30 fps)	352 x 240 (30 fps)
	800 x 600 (30 fps)	800 x 600 (30 fps)	800 x 600 (30 fps)	720 x 480 (30 fps)
			720 x 480 (30 fps)	640 x 480 (30 fps)
			640 x 480 (30 fps)	352 x 240 (30 fps)
		720 x 480 (30 fps)	720 x 480 (30 fps)	352 x 240 (30 fps)
			640 x 480 (30 fps)	352 x 240 (30 fps)
			352 x 240 (30 fps)	352 x 240 (30 fps)
	640 x 480 (30 fps)	640 x 480 (30 fps)	640 x 480 (30 fps)	640 x 480 (30 fps)
			352 x 240 (30 fps)	352 x 240 (30 fps)
		352 x 240 (30 fps)	352 x 240 (30 fps)	352 x 240 (30 fps)
			352 x 240 (30 fps)	352 x 240 (30 fps)
	1024 x 768 (30 fps)	1024 x 768 (30 fps)	800 x 600 (30 fps)	720 x 480 (30 fps)
				640 x 480 (30 fps)
				352 x 240 (30 fps)
			720 x 480 (30 fps)	720 x 480 (30 fps)
640 x 480 (30 fps)				
352 x 240 (30 fps)				
800 x 600 (30 fps)		800 x 600 (30 fps)	800 x 600 (30 fps)	720 x 480 (30 fps)
			720 x 480 (30 fps)	640 x 480 (30 fps)
			640 x 480 (30 fps)	352 x 240 (30 fps)
		720 x 480 (30 fps)	720 x 480 (30 fps)	352 x 240 (30 fps)
			640 x 480 (30 fps)	352 x 240 (30 fps)
			352 x 240 (30 fps)	352 x 240 (30 fps)
720 x 480 (30 fps)		720 x 480 (30 fps)	720 x 480 (30 fps)	720 x 480 (30 fps)
			640 x 480 (30 fps)	640 x 480 (30 fps)
			352 x 240 (30 fps)	352 x 240 (30 fps)
		640 x 480 (30 fps)	640 x 480 (30 fps)	640 x 480 (30 fps)
			352 x 240 (30 fps)	352 x 240 (30 fps)
			352 x 240 (30 fps)	352 x 240 (30 fps)
640 x 480 (30 fps)		640 x 480 (30 fps)	640 x 480 (30 fps)	640 x 480 (30 fps)
			352 x 240 (30 fps)	352 x 240 (30 fps)
		352 x 240 (30 fps)	352 x 240 (30 fps)	352 x 240 (30 fps)
			352 x 240 (30 fps)	352 x 240 (30 fps)

H.264 + H.264 + H.264 + H.264 / MJPEG				
H.264-1	H.264-2	H.264-3	H.264-4 / MJPEG	
800 x 600 (30 fps)	800 x 600 (30 fps)	800 x 600 (30 fps)	352 x 240 (30 fps)	
		720 x 480 (30 fps)	720 x 480 (30 fps)	720 x 480 (30 fps)
			640 x 480 (30 fps)	640 x 480 (30 fps)
		720 x 480 (30 fps)	640 x 480 (30 fps)	640 x 480 (30 fps)
	640 x 480 (30 fps)		352 x 240 (30 fps)	640 x 480 (30 fps)
			352 x 240 (30 fps)	352 x 240 (30 fps)
	640 x 480 (30 fps)		640 x 480 (30 fps)	640 x 480 (30 fps)
		352 x 240 (30 fps)	352 x 240 (30 fps)	640 x 480 (30 fps)
			352 x 240 (30 fps)	352 x 240 (30 fps)
		352 x 240 (30 fps)	352 x 240 (30 fps)	352 x 240 (30 fps)
	720 x 480 (30 fps)	720 x 480 (30 fps)	720 x 480 (30 fps)	720 x 480 (30 fps)
				640 x 480 (30 fps)
640 x 480 (30 fps)			640 x 480 (30 fps)	352 x 240 (30 fps)
			352 x 240 (30 fps)	352 x 240 (30 fps)
640 x 480 (30 fps)		640 x 480 (30 fps)	640 x 480 (30 fps)	640 x 480 (30 fps)
			352 x 240 (30 fps)	352 x 240 (30 fps)
		352 x 240 (30 fps)	352 x 240 (30 fps)	352 x 240 (30 fps)
			352 x 240 (30 fps)	352 x 240 (30 fps)
640 x 480 (30 fps)	640 x 480 (30 fps)	640 x 480 (30 fps)	640 x 480 (30 fps)	
		352 x 240 (30 fps)	352 x 240 (30 fps)	
	352 x 240 (30 fps)	352 x 240 (30 fps)	352 x 240 (30 fps)	
352 x 240 (30 fps)	352 x 240 (30 fps)	352 x 240 (30 fps)	352 x 240 (30 fps)	

2M Real time / 3M / 5M- Triple Streams

H.264-1 + H.264-2 + H.264-3 / MJPEG		
H.264-1	H.264-2	H.264-3 / MJPEG
2592 x 1944 (12 fps)	720 x 480 (12 fps)	720 x 480 (12 fps)
		640 x 480 (12 fps)
		352 x 240 (12 fps)
	640 x 480 (12 fps)	640 x 480 (12 fps)
		352 x 240 (12 fps)

*The resolution is for 5M Model only.

H.264-1 + H.264-2 + H.264-3 / MJPEG		
H.264-1	H.264-2	H.264-3 / MJPEG
2048 x 1536 (15 fps)	1280 x 720 (15 fps)	720 x 480 (15 fps)
		640 x 480 (15 fps)
		352 x 240 (15 fps)
	800 x 600 (15 fps)	800 x 600 (15 fps)
		720 x 480 (15 fps)
		640 x 480 (15 fps)
	720 x 480 (15 fps)	352 x 240 (15 fps)
		720 x 480 (15 fps)
		640 x 480 (15 fps)
	640 x 480 (15 fps)	352 x 240 (15 fps)
		640 x 480 (15 fps)
		352 x 240 (15 fps)
	352 x 240 (15 fps)	352 x 240 (15 fps)

*The resolution is for 3M & 5M Model only.

H.264-1 + H.264-2 + H.264-3 / MJPEG		
H.264-1	H.264-2	H.264-3 / MJPEG
1920 x 1080 (15 fps)	1280 x 1024 (15 fps)	1280 x 720 (15 fps)
		800 x 600 (30 fps)
		720 x 480 (30 fps)
		640 x 480 (30 fps)
		352 x 240 (30 fps)
	1280 x 720 (15 fps)	1280 x 720 (30 fps)
		800 x 600 (30 fps)
	1280 x 720 (30 fps)	720 x 480 (30 fps)
		640 x 480 (30 fps)
		352 x 240 (30 fps)
	1024 x 768 (30 fps)	800 x 600 (30 fps)
		720 x 480 (30 fps)
		640 x 480 (30 fps)
		352 x 240 (30 fps)
	800 x 600 (30 fps)	800 x 600 (30 fps)
		720 x 480 (30 fps)
		640 x 480 (30 fps)
		352 x 240 (30 fps)
	720 x 480 (30 fps)	720 x 480 (30 fps)
		640 x 480 (30 fps)
		352 x 240 (30 fps)
640 x 480 (30 fps)	640 x 480 (30 fps)	
	352 x 240 (30 fps)	
1920 x 1080 (30 fps)	352 x 240 (30 fps)	

H.264-1 + H.264-2 + H.264-3 / MJPEG			
H.264-1	H.264-2	H.264-3 / MJPEG	
1280 x 1024 (15 fps)	1280 x 1024 (15 fps)	1280 x 720 (30 fps)	
		800 x 600 (30 fps)	
	1280 x 1024 (30 fps)	720 x 480 (30 fps)	
		640 x 480 (30 fps)	
	1280 x 720 (15 fps)	1280 x 720 (30 fps)	352 x 240 (30 fps)
			1280 x 720 (30 fps)
1280 x 720 (30 fps)	1280 x 720 (30 fps)	800 x 600 (30 fps)	
		720 x 480 (30 fps)	
1024 x 768 (30 fps)	1024 x 768 (30 fps)	640 x 480 (30 fps)	
		800 x 600 (30 fps)	
1280 x 1024 (30 fps)	1280 x 720 (30 fps)	720 x 480 (30 fps)	
		352 x 240 (30 fps)	
	1024 x 768 (30 fps)	1024 x 768 (30 fps)	640 x 480 (30 fps)
			352 x 240 (30 fps)
	800 x 600 (30 fps)	800 x 600 (30 fps)	800 x 600 (30 fps)
			720 x 480 (30 fps)
			640 x 480 (30 fps)
	720 x 480 (30 fps)	720 x 480 (30 fps)	640 x 480 (30 fps)
			352 x 240 (30 fps)
			352 x 240 (30 fps)
640 x 480 (30 fps)	640 x 480 (30 fps)	640 x 480 (30 fps)	
		352 x 240 (30 fps)	
352 x 240 (30 fps)	352 x 240 (30 fps)	352 x 240 (30 fps)	
1280 x 720 (15 fps)	1280 x 720 (30 fps)	1280 x 720 (30 fps)	
1280 x 720 (30 fps)	1280 x 720 (30 fps)	800 x 600 (30 fps)	
		720 x 480 (30 fps)	
		640 x 480 (30 fps)	
		352 x 240 (30 fps)	
	1024 x 768 (30 fps)	1024 x 768 (30 fps)	800 x 600 (30 fps)
			720 x 480 (30 fps)
			640 x 480 (30 fps)
			352 x 240 (30 fps)
	800 x 600 (30 fps)	800 x 600 (30 fps)	800 x 600 (30 fps)
			720 x 480 (30 fps)
			640 x 480 (30 fps)
			352 x 240 (30 fps)
	720 x 480 (30 fps)	720 x 480 (30 fps)	720 x 480 (30 fps)
			640 x 480 (30 fps)
352 x 240 (30 fps)			
352 x 240 (30 fps)			
640 x 480 (30 fps)	640 x 480 (30 fps)	640 x 480 (30 fps)	
		352 x 240 (30 fps)	
352 x 240 (30 fps)	352 x 240 (30 fps)	352 x 240 (30 fps)	
1024 x 768 (30 fps)	1024 x 768 (30 fps)	800 x 600 (30 fps)	
		720 x 480 (30 fps)	
		640 x 480 (30 fps)	
		352 x 240 (30 fps)	
	800 x 600 (30 fps)	800 x 600 (30 fps)	800 x 600 (30 fps)
			720 x 480 (30 fps)
			640 x 480 (30 fps)
	720 x 480 (30 fps)	720 x 480 (30 fps)	352 x 240 (30 fps)
			720 x 480 (30 fps)
			640 x 480 (30 fps)
640 x 480 (30 fps)	640 x 480 (30 fps)	352 x 240 (30 fps)	
		640 x 480 (30 fps)	
352 x 240 (30 fps)	352 x 240 (30 fps)	352 x 240 (30 fps)	

H.264-1 + H.264-2 + H.264-3 / MJPEG			
H.264-1	H.264-2	H.264-3 / MJPEG	
800 x 600 (30 fps)	800 x 600 (30 fps)	800 x 600 (30 fps)	
		720 x 480 (30 fps)	
		640 x 480 (30 fps)	
		352 x 240 (30 fps)	
	720 x 480 (30 fps)	720 x 480 (30 fps)	720 x 480 (30 fps)
			640 x 480 (30 fps)
			352 x 240 (30 fps)
			352 x 240 (30 fps)
640 x 480 (30 fps)	640 x 480 (30 fps)	640 x 480 (30 fps)	
		640 x 480 (30 fps)	
		352 x 240 (30 fps)	
		352 x 240 (30 fps)	
352 x 240 (30 fps)	352 x 240 (30 fps)	352 x 240 (30 fps)	
		352 x 240 (30 fps)	

2M Real time / 3M / 5M- Dual Streams

H.264-1 + H.264-2 / MJPEG		
H.264-1	H.264-2 / MJPEG	BNC SUPPORT
2592 x 1944 (12 fps)	720 x 480 (12 fps)	-
	640 x 480 (12 fps)	-
	352 x 240 (12 fps)	-

*The resolution is for 5M Model only.

H.264-1 + H.264-2 / MJPEG		
H.264-1	H.264-2 / MJPEG	BNC SUPPORT
2048 x 1536 (15 fps)	1280 x 720 (15 fps)	-
	800 x 600 (15 fps)	-
	720 x 480 (15 fps)	-
	640 x 480 (15 fps)	-
	352 x 240 (15 fps)	-

*The resolution is for 3M & 5M Model only.

H.264-1 + H.264-2 / MJPEG		
H.264-1	H.264-2 / MJPEG	BNC SUPPORT
1920 x 1080 (15 fps)	1920 x 1080 (15 fps)	√
	1280 x 1024 (30 fps)	-
	1280 x 720 (30 fps)	-
	1024 x 768 (30 fps)	-
	800 x 600 (30 fps)	-
1920 x 1080 (30 fps)	720 x 480 (30 fps)	√
	640 x 480 (30 fps)	√
	352 x 240 (30 fps)	√
1280 x 1024 (30 fps)	1280 x 1024 (15 fps)	√
	1280 x 720 (30 fps)	-
	1024 x 768 (30 fps)	-
	800 x 600 (30 fps)	-
	720 x 480 (30 fps)	√
	640 x 480 (30 fps)	√
1280 x 720 (30 fps)	352 x 240 (30 fps)	√
	1280 x 720 (30 fps)	√
	1024 x 768 (30 fps)	-
	800 x 600 (30 fps)	-
	720 x 480 (30 fps)	√
1024 x 768 (30 fps)	640 x 480 (30 fps)	√
	352 x 240 (30 fps)	√
	1024 x 768 (30 fps)	√
	800 x 600 (30 fps)	-
	720 x 480 (30 fps)	√
800 x 600 (30 fps)	640 x 480 (30 fps)	√
	352 x 240 (30 fps)	√
	800 x 600 (30 fps)	√
	720 x 480 (30 fps)	√
720 x 480 (30 fps)	640 x 480 (30 fps)	√
	352 x 240 (30 fps)	√
	720 x 480 (30 fps)	√
640 x 480 (30 fps)	640 x 480 (30 fps)	√
	352 x 240 (30 fps)	√
352 x 240 (30 fps)	352 x 240 (30 fps)	-

2M Real time / 3M / 5M- Single Stream

H.264 Only	BNC SUPPORT
2592 x 1944 (12 fps)*	-
2048 x 1536 (15 fps)**	-
1920 x 1080 (30 fps) Low Latency***	-
1920 x 1080 (30 fps)	√
1280 x 1024 (30 fps)	√
1280 x 720 (30 fps)	√
1024 x 768 (30 fps)	√
800 x 600 (30 fps)	√
720 x 480 (30 fps)	√
640 x 480 (30 fps)	√
352 x 240 (30 fps)	-

* The resolution is for 5M Model only.

** The resolution is for 3M & 5M Model only.

*** 1920 x 1080 (30 fps) Low Latency does not support BNC, 3DNR, Motion Detection and digital zoom.

MJPEG Only	BNC SUPPORT
1920 x 1080 (30 fps)	√
1280 x 1024 (30 fps)	√
1280 x 720 (30 fps)	√
1024 x 768 (30 fps)	√
800 x 600 (30 fps)	√
720 x 480 (30 fps)	√
640 x 480 (30 fps)	√
352 x 240 (30 fps)	-