

Full HD Multi-Streams Compact Dome IP Camera

User's Manual

Ver. 1.3

Table of Contents

1. Overview	2
1.1 Features	2
1.2 Package Contents	3
1.3 Dimensions.....	5
1.4 Connectors (for Indoor Only)	7
1.5 Function Cable Definition (for Outdoor only)	8
2. Camera Cabling	9
2.1 Connect Power	9
2.2 Connect Ethernet Cable.....	9
2.3 Connect Alarm I/O	9
3. System Requirements	10
4. Access Camera	11
5. Setup Video Resolution	16
6. Configuration Files Export / Import	17
Appendix A: Technical Specifications	18
Appendix B: Delete the Existing DC Viewer	28
Appendix C: Setup Internet Security	29
Appendix D: Video Resolution	30
2M- Quad Streams.....	30
2M- Triple Streams.....	34
2M- Dual Streams	36
2M- Single Stream	36
2M Real time / 3M / 5M- Quad Streams	37
2M Real time / 3M / 5M- Triple Streams.....	42
2M Real time / 3M / 5M- Dual Streams.....	45
2M Real time / 3M / 5M- Single Stream.....	46

1. Overview

The Full HD Multi-Streams Compact Dome IP Camera is a compact camera with an easy setup design. High Power PoE is supported to reduce complicated cabling without sacrificing performance. Moreover, 5 Megapixel Resolution is offered for providing high definition images. Quad Streams Compression (H.264 Baseline / Main / High Profile + MJPEG) are supported for efficient bandwidth and storage management. For dark environments, the camera has incorporated WDR, 3DNR and Day/Night ICR technologies to capture clear images in lowlight conditions.

1.1 Features

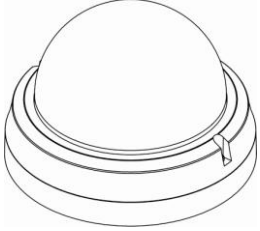

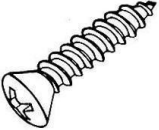

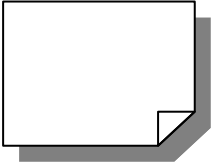

- 2M / 5M Progressive Scan CMOS Sensor
- Dual Streaming- Full HD 1080P Real Time + D1 Real Time
- Quad Streams Compression- H.264 Baseline / Main / High Profile + MJPEG
- Multi-language Support
- Tampering Alarm
- Remote Zoom & Focus (Motorized Lens)*
- Wide Dynamic Range
- Motion Detection
- Privacy Masks
- Smart Picture Quality / 3D Noise Reduction
- Vertical View Mode (image rotation by 90 degrees)
- Smart IR Mode
- Network Failure Detection
- Day/Night (ICR)
- IR LED Module (working distance up to 25m)*
- microSD Support
- BNC Analog Output
- Weatherproof (IP66 International)
- High Power PoE (PoE+)
- ONVIF Support

(*) Optional

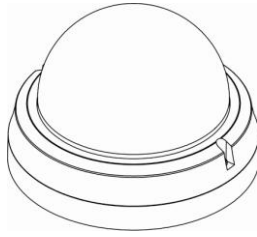
1.2 Package Contents

Please check the package contains the following items listed below.

Indoor Camera Package Contents

 <p>Full HD Multi-Streams Compact Dome IP Camera</p>	 <p>Power Terminal Block</p>
 <p>Self Tapping Screws (x2)</p>	 <p>Plastic Screw Anchors (x2)</p>
 <p>Quick Guide</p>	 <p>CD (bundled software and documentation)</p>

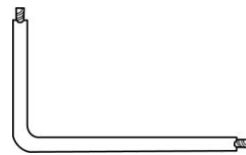
Outdoor Camera Package Contents



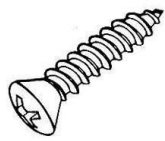
Full HD Multi-Streams Compact Dome IP Camera



Rubber Washers (x6)



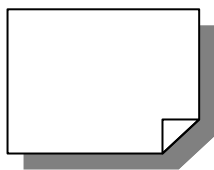
Security Torx



Self Tapping Screws (x2)



Plastic Screw Anchors (x2)



Quick Guide

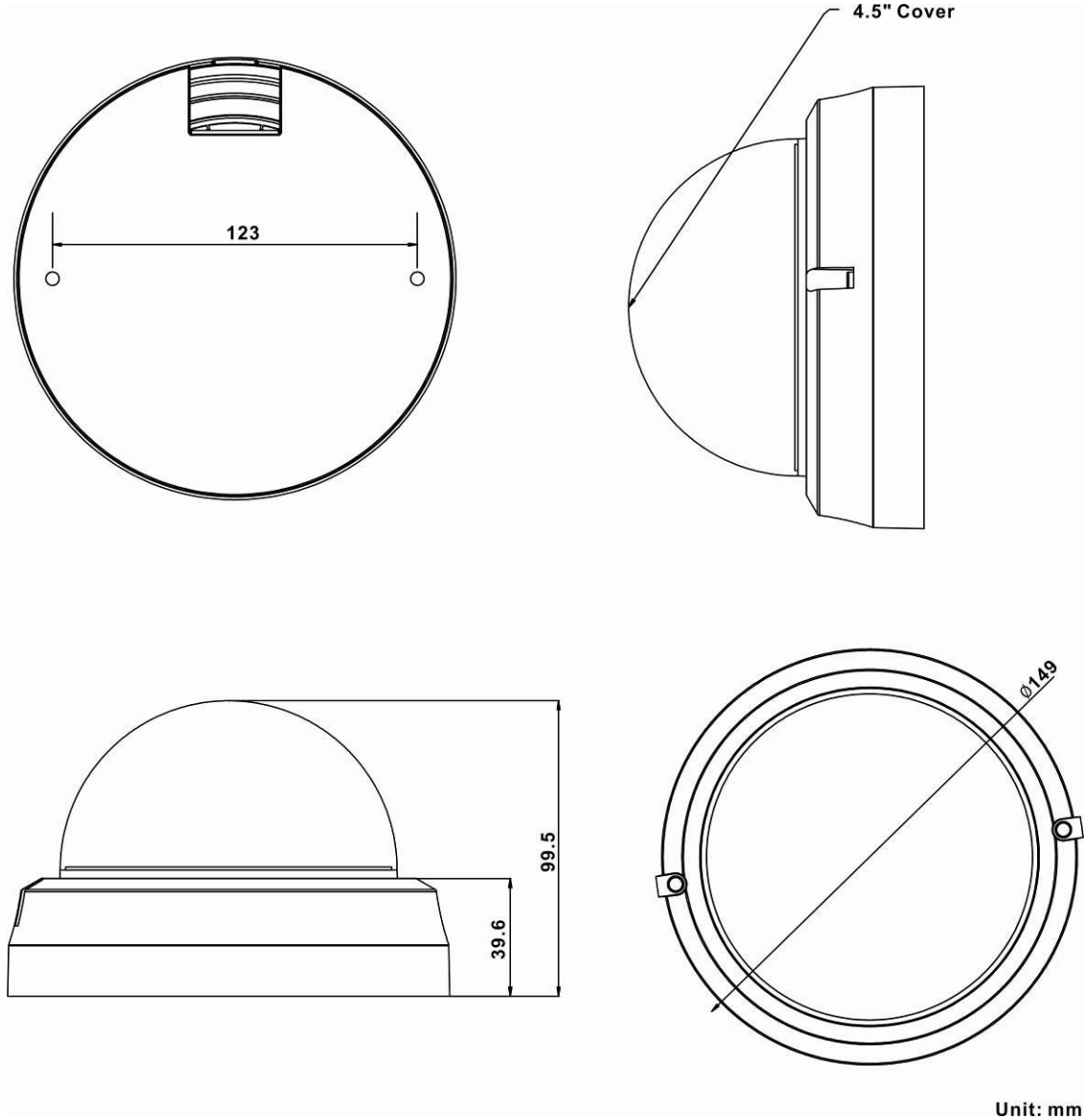


CD
(bundled software and documentation)

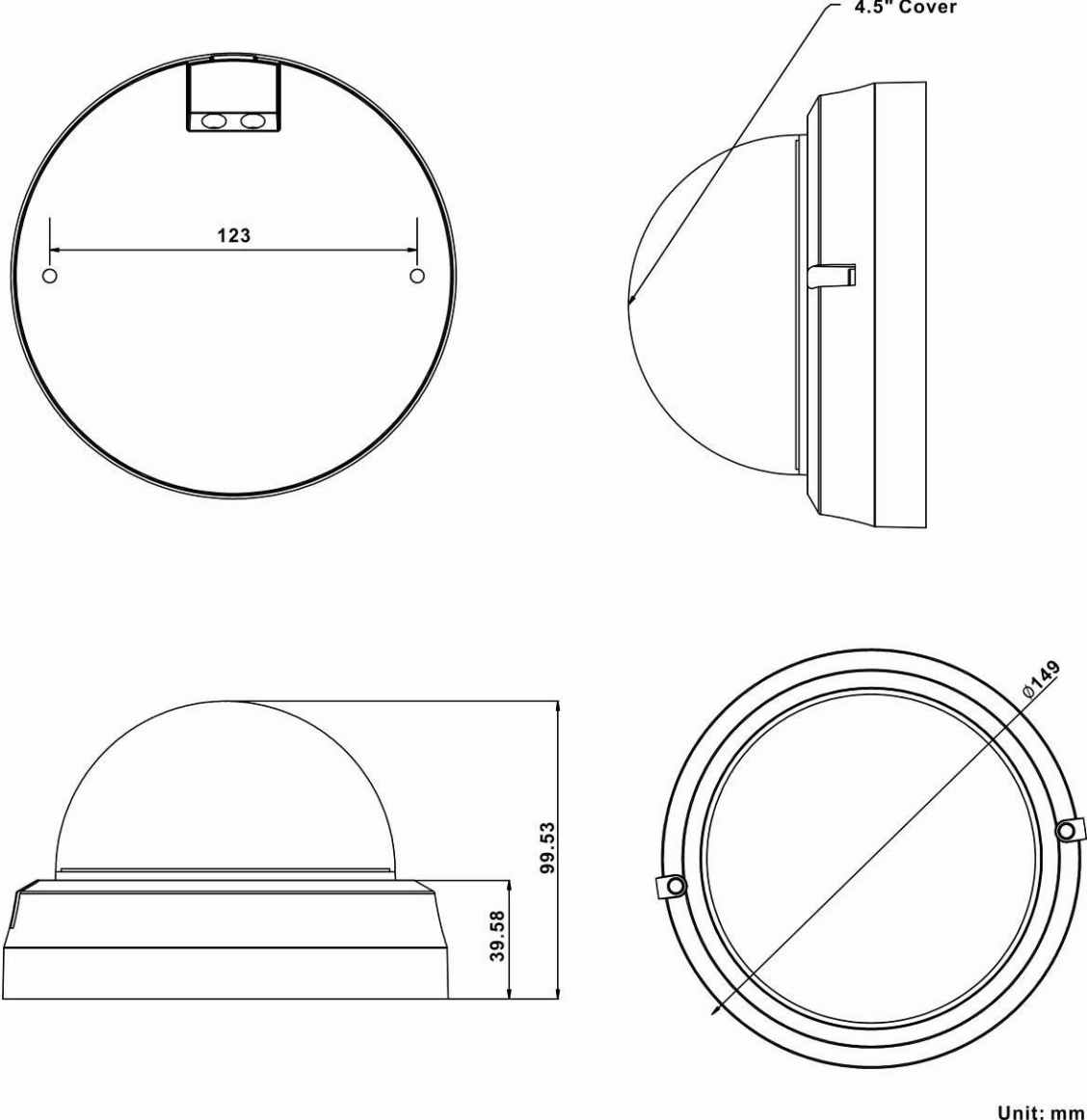
1.3 Dimensions

The dimensions of the IP Camera are shown below.

Indoor



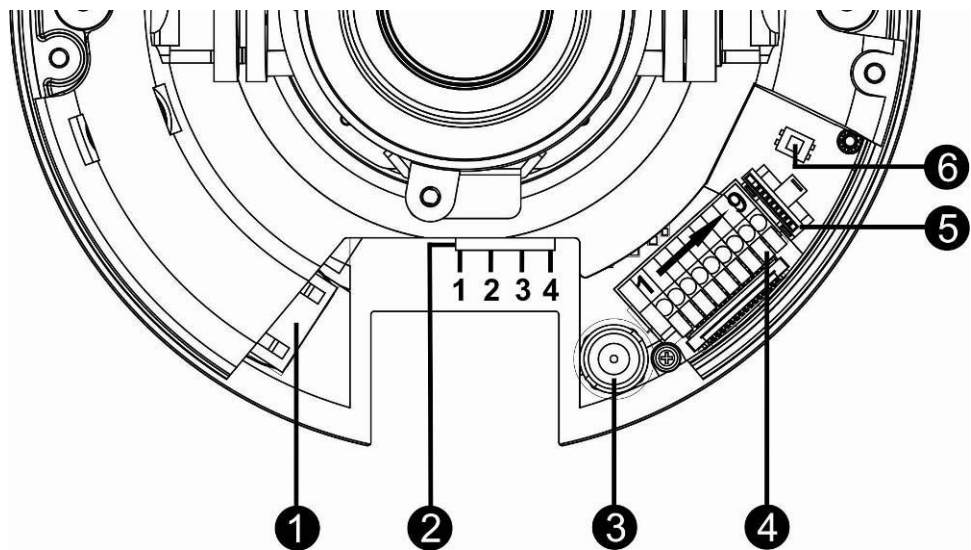
Outdoor



Unit: mm

1.4 Connectors (for Indoor Only)

The diagram below shows the IP Camera's default button and various connectors. Definition for each connector will be given as follows.

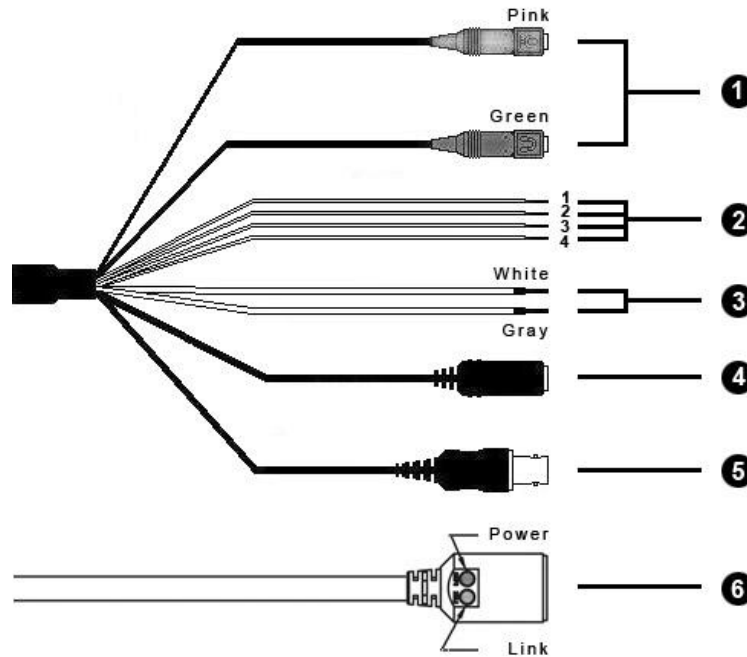


No.	Connector	Pin	Definition	Remarks
1	RJ-45	-	10/100 Mbps Ethernet / PoE	
2	Power	AC 24V	1 AC 24_1 2 AC 24_2	Power connection
		DC 12V	3 GND 4 DC 12V (+)	
			3	
		4	DC 12V (+)	
3	BNC	-	For analog Video Output	
4	Alarm & Audio I/O	1	Alarm In (-)	Alarm connection
		2	Alarm In (+)	
		3	Alarm Out (-)	
		4	Alarm Out (+)	
		5	Audio Out (R)	Line Out
		6	Audio Out (L)	
		7	Audio GND	
		8	Audio In (R)	Line In
		9	Audio In (L)	
5	microSD Card Slot	-	For video recording storage	
6	Default Button	-	Press the button with one finger to restore the system.	



NOTE: Please insert the SD card into the microSD Card Slot before power on the camera. If the camera is already powered on, reboot the camera after the SD card is inserted.

1.5 Function Cable Definition (for Outdoor only)



No.	Connector		Pin	Definition	Remarks
1	Audio I/O		Pink	Line In	Two-way audio transmission
			Green	Line Out	
2	Alarm (4-Pin Terminal Block)		1	Alarm In (-)	Blue
			2	Alarm In (+)	Green
			3	Alarm Out (-)	Yellow
			4	Alarm Out (+)	Orange
3	Power	AC 24V	White	AC 24_1	Power connection
			Gray	AC 24_2	
4	Power DC Jack		-	DC 12V	Power connection
5	BNC		-	For analog Video Output	
6	RJ-45		-	10/100 Mbps Ethernet / PoE	
-	Default Button		-	Please refer to Default Button in the table under Section: Connectors .	

*If the function cable is used, make sure the color pins are connected correctly.

2. Camera Cabling

Please follow the instructions below to complete IP Camera connection.

2.1 Connect Power

For power connection, please refer to the [Connectors](#) section of the previous chapter. Alternatively, connect the Ethernet Cable to the camera's PoE port and plug the other end of the cable into a PoE switch.



NOTE: If PoE is used, make sure Power Sourcing Equipment (PSE) is in used in the network.

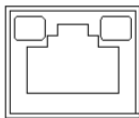
2.2 Connect Ethernet Cable

Use of Category 5 Ethernet Cable is recommended for network connection; to have best transmission quality, cable length shall not exceed 100 meters. Connect one end of the Ethernet Cable to the RJ-45 connector of the IP Camera, and the other end of the cable to the network switch or PC.



NOTE: In some cases, Ethernet Crossover Cable might be needed when connecting the IP Camera directly to the PC.

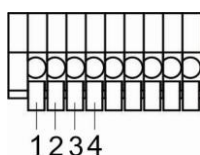
Check the status of the link indicator and activity indicator LEDs. If the LEDs are unlit, please check the LAN connection.



Green Link Light indicates good network connection.
Orange Activity Light flashes for network activity indication.

2.3 Connect Alarm I/O

The camera equips one alarm input and one relay output for alarm application. Refer to the alarm pin definition below to connect alarm devices to the IP Camera if needed.



PIN 1: GND (Input-)
PIN 2: Input+
PIN 3: Output-
PIN 4: Output+

3. System Requirements

To perform the IP Camera via web browser, please ensure the PC is in good network connection, and meet system requirements as described below.

Items	System Requirement
Personal Computer	1. Intel® Pentium® M, 2.16 GHz or Intel® Core™2 Duo, 2.0 GHz 2. 2 GB RAM or more
Operating System	Windows VISTA / Windows XP / Windows 7
Web Browser	Microsoft Internet Explorer 6.0 or later Firefox Chrome Safari
Network Card	10Base-T (10 Mbps) or 100Base-TX (100 Mbps) operation
Viewer	ActiveX control plug-in for Microsoft IE

4. Access Camera

For initial access to the IP Camera, users can search the camera through the installer program: DeviceSearch.exe, which can be found in “DeviceSearch” folder in the supplied CD.

Accessing Device Search Software

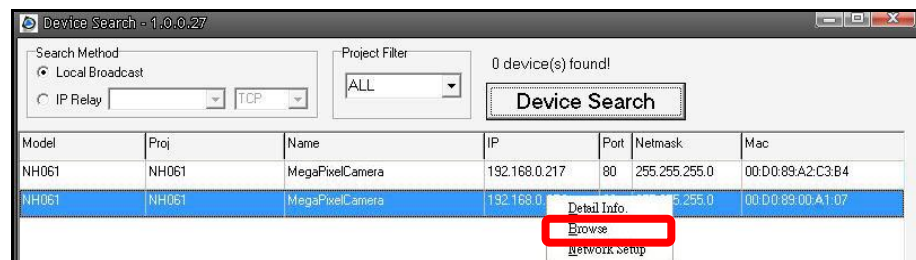
Step 1: Double click on the program Device Search.exe. After its window appears, click on the <Device Search> button on the top side.

Step 2: The security alert window will pop up. Click on <Unblock> to continue.

Device Search

Step 3: Click on <Device Search> again, and all the finding IP devices will be listed in the page. The default IP address of the IP Camera is: **192.168.0.250**.

Step 4: Double click or right click and select <Browse> to access the camera directly via web browser.



Step 5: A prompt window requesting for default username and password will appear. Enter the default username and password shown below to login to the IP Camera.

Login ID	Password
Admin	1234



NOTE: ID and password are case sensitive.



NOTE: It is strongly advised that administrator's password be altered for the security concerns. Refer to [Full HD Multiple Streams IP Camera Menu Tree](#) for further details.

Additionally, users can change the network property of the IP Camera to DHCP or Static IP directly in the device finding list. Refer to the following section for changing the IP Camera's network property.

Example of Changing IP Camera's Network Property

Step 1: In the finding device list, click on the IP Camera that is wished to change its network property. On the selected item, right click and select <Network Setup>. Meanwhile, record the MAC address of the IP Camera, for future identification.

Step 2: The Network Setup page will come out. Select <DHCP>, and click <Apply> button down the page.

Step 3: Click on <OK> on the note of setting change. Wait for one minute to re-search the IP Camera.

Step 4: Click on the <Device Search> button to re-search all the devices. Then select the IP Camera with the correct MAC address. Double click on the IP Camera, and the login window will come out.

Step 5: Enter User name and Password to access the IP Camera.

Installing DC Viewer Software Online

For the initial access to the IP Camera, a client program, DC Viewer, will be automatically installed to the PC when connecting to the IP Camera.

If the Web browser doesn't allow DC Viewer installation, please check the Internet security settings or ActiveX controls and plug-ins settings (refer to chapter [Appendix C: Setup Internet Security](#)) to continue the process.

The Information Bar (just below the URL bar) may come out and ask for permission to install the ActiveX Control for displaying video in browser. Right click on the Information Bar and select <Install ActiveX Control...> to allow the installation.

The download procedure of DC Viewer software is specified as follows.

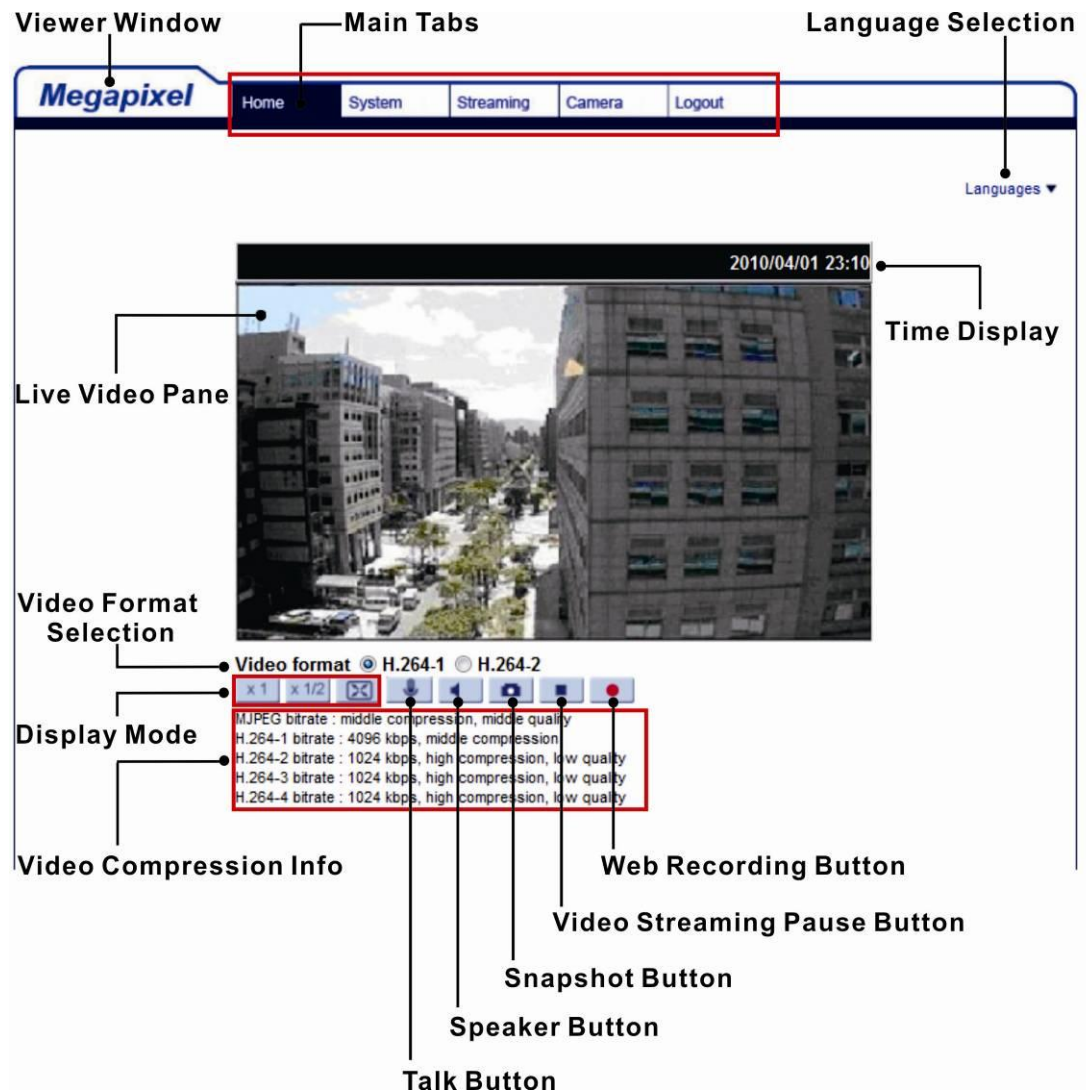
Step 1: In the DC Viewer installation window, click on <Next> to start installation.

Step 2: The status bar will show the installation progress. After the installation is completed, click on <Finish> to exit the installation process.

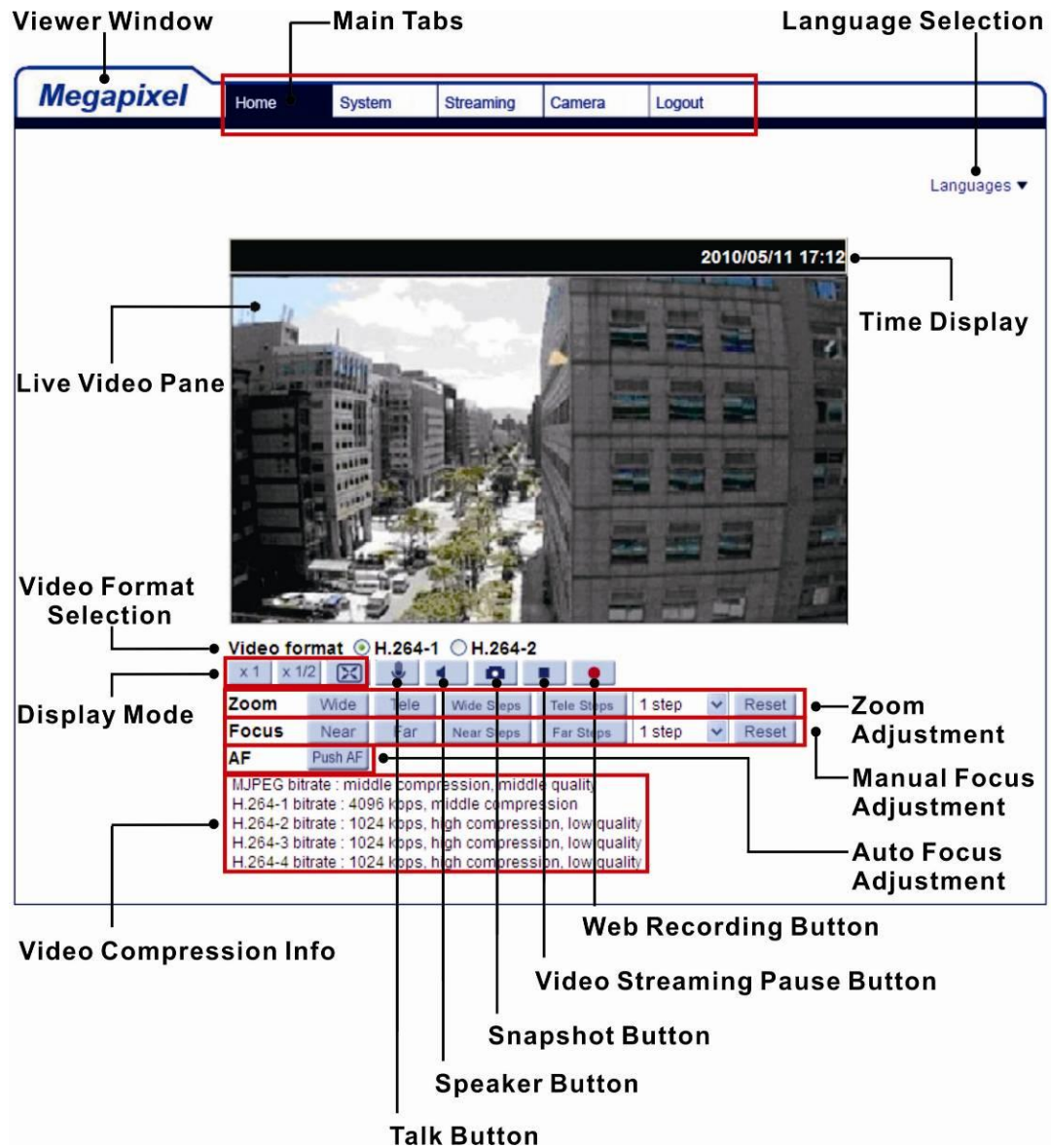
Step 3: Click on <Finish> to close the DC Viewer installation page.

Once the DC Viewer is successfully installed, the Home page of the IP Camera will be shown as the figure below.

Board Lens Models



Motorized Lens Models



3x Zoom Lens Models

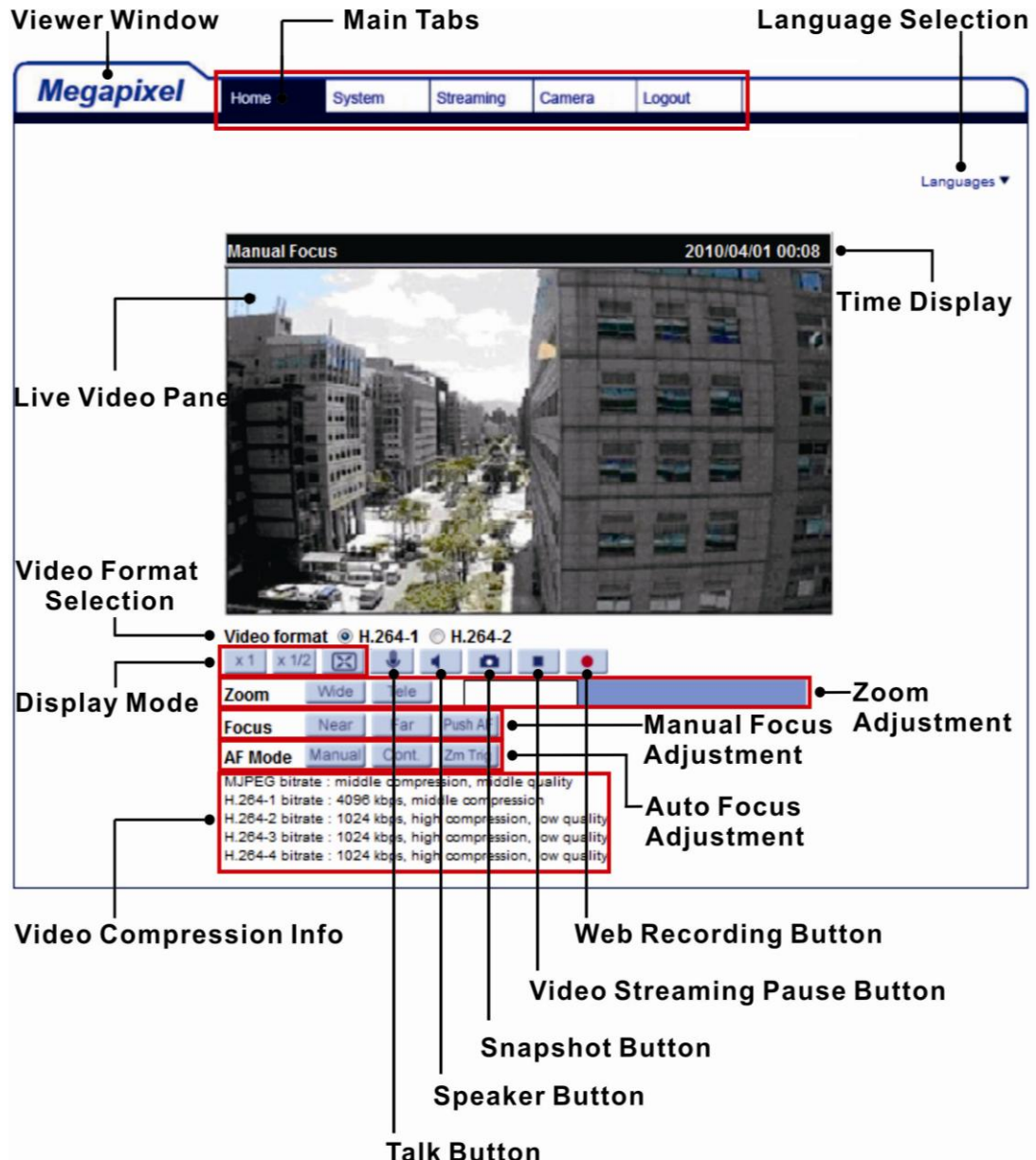


Image and Focus Adjustment

The image will be displayed on the Home page when the IP Camera is successfully accessed. Adjust zoom and focus as necessary to produce a clear image.



NOTE: Please refer to [Full HD Multiple Streams IP Camera Menu Tree](#) for more details about the function items on the Home page.

5. Setup Video Resolution

Users can setup Video Resolution on Video Format page of the user-friendly browser-based configuration interface.

Video Format can be found under this path: **Streaming> Video Format**.

The screenshot shows the Megapixel configuration interface. The top navigation bar includes 'Home', 'System', 'Streaming', 'Camera', and 'Logout'. The 'Streaming' menu item is highlighted in red. On the left sidebar, the 'Video Format' menu item is also highlighted in red. The main content area is titled 'Video Format' and contains the following settings:

- Video Resolution :** A dropdown menu is set to 'H.264 + H.264'. Below it, 'H.264-1 format' is set to '1920 x 1080 (30 fps)' and 'H.264-2 format' is set to '720 x 480 (30 fps)'. 'BNC support' is set to 'Yes'. A 'Save' button is present.
- Note :** Image attachment by FTP or E-mail will be available only while MJPEG streaming is selected.
- Text Overlay Settings :** Includes checkboxes for 'Include date', 'Include time', and 'Include text string'. A text input field is provided for the text string. A 'Save' button is present.
- Video Rotate Type :** A dropdown menu is set to 'Normal video'. A 'Save' button is present.
- GOV Settings :** Includes input fields for 'H.264-1 GOV Length' (60), 'H.264-2 GOV Length' (60), 'H.264-3 GOV Length' (30), and 'H.264-4 GOV Length' (30). A 'Save' button is present.
- H.264 Profile :** Includes dropdown menus for 'H.264-1' (Main profile), 'H.264-2' (Main profile), 'H.264-3' (Main profile), and 'H.264-4' (Main profile). A 'Save' button is present.

The default value of Video Resolution is as below.

2M	H.264- 1920 x 1080 (30 fps) + H.264- 720 x 480 (30 fps)
-----------	---

For more Video Resolution combination details, please refer to chapter [Appendix D: Video Resolution](#).

6. Configuration Files Export / Import

To export / import configuration files, users can access the Maintenance page on the user-friendly browser-based configuration interface.

The Maintenance setting can be found under this path: **System> Maintenance**.

Users can export configuration files to a specified location and retrieve data by uploading an existing configuration file to the IP Camera. This is especially convenient to make multiple cameras having the same configuration.

Export

Users can save the system settings by exporting the configuration file (.bin) to a specified location for future use. Click on the <Export> button, and the popup File Download window will come out. Click on <Save> and specify a desired location for saving the configuration file.

Upload

To upload an configuration file to the IP Camera, please first click on <Browse> to select the configuration file, and then click on the <Upload> button for uploading.

Appendix A: Technical Specifications

Camera		2M	2M Real time
Image Sensor		1/2.7" Progressive CMOS	
Effective Pixels		1920 (H) x 1080 (V)	
Minimum Illumination		Vari-focal / Motorized- 0.2 lux (Color) / 0.02 lux (B/W) Board 2.8 mm- 0.1 lux (Color) / 4.0 mm- 0.1 lux (Color)	
Shutter Speed		1 ~ 1/10000 sec.	
Lens			
Lens		Vari-focal / Motorized / Board	
Focal Length		Vari-focal / Motorized- 3.0 ~ 9.0 mm Board- 2.8 mm / 4.0 mm	
F Number		Vari-focal / Motorized- F1.2 Board 2.8 mm- F2.0 / 4.0 mm- F1.5	
FOV		Vari-focal / Motorized- 103.5° (Wide); 34.3° (Tele) Board 2.8 mm- 105° / 4.0 mm- 78°	
Operation			
Multiple Languages		English / French / German / Italian / Japanese / Korean / Portuguese / Russian / Simplified Chinese / Spanish / Traditional Chinese	
Image Setting	Backlight Compensation	On / Off	
	White Balance	Auto / Manual / ATW	
	3D Noise Reduction	On / Off	
	Wide Dynamic Range	On / Off	
	Privacy Mask	On / Off	
	Brightness	Manual	
	Exposure	Auto / Manual	
	Sharpness	Manual	
	Contrast	Manual	
	Saturation	Manual	
	Hue	Manual	
	Digital Zoom	Support	
	Motion Detection	On / Off / By Schedule	
	Privacy Mask Type	Color	
	ICR	Auto / On / Off / Smart	
ICR + IR LED*	Auto / LED On / LED Off / Smart IR / Light Sensor		
Tampering Alarm	On / Off / By Schedule		
Audio	Two-way Audio	Line In / Line Out	
	Compression	G.711 / G.726	
Network			
Interface		RJ-45, 10/100 Mbps Ethernet	
Video Compression		H.264 / MJPEG	
Video Streaming		Dual Streams- H.264 + MJPEG / H.264 + H.264 Quad Streams- H.264 x 3 + MJPEG / H.264 x 4	
Video Resolution		H.264- Full HD 1080P / SXGA / HD 720P / XGA / SVGA / D1 / VGA / CIF MJPEG- Full HD 1080P / SXGA / HD 720P / XGA / SVGA / D1 / VGA / CIF	
Frame Rate	Single Stream	1080P (30/25 fps)	1080P (30/25 fps)
	Dual Streams	1080P (15/13 fps) + 720P (30/25 fps)	1080P (30/25 fps) + D1 (30/25 fps)
Protocol		IPv4/v6, TCP/IP, UDP, RTP, RTSP, HTTP, HTTPS, ICMP, FTP, SMTP, DHCP, PPPoE, UPnP, IGMP, SNMP, QoS, ONVIF	
Security		HTTPS / IP Filter / IEEE 802.1x	
Alarm	Input	1 Set, 5V 10kΩ pull up	
	Output	1 Set, Photo Relay Output 300V DC/AC	
Event Notification		HTTP / FTP / SMTP	
microSD		microSDHC 32GB support	
Supported Web Browser		Internet Explorer (6.0+) / Chrome / Firefox / Safari	
User Account		20	
Password Levels		User and Administrator	

Mechanical		
Built-in IR Illuminator*	Working Distance	up to 25 m
	Wavelength	850 nm
	Number of LEDs	24
LED Indicator		Power / Link / ACT
Connectors	Alarm	4 of 9 Pin Terminal Block
	Power	4 Pin Terminal Block
	Ethernet	RJ-45
	Analog Video	1.0 Vp-p / 75Ω, BNC
	Audio*	5 of 9 Pin Terminal Block
General		
Operating Temperature		TBD
Humidity		TBD
Weatherproof Standard*		IP66
Dimension		∅ 149 x 99.53 mm
Weight		TBD
Power Source		DC 12V / AC 24V / PoE+
Power Consumption	System	Max. 5W
	IR LED	Max. 3.6W
	Heater	Max. 13W
	Motorized	Max. 3W
Regulatory		CE / FCC / RoHS

(*) Optional

Camera		5M
Image Sensor	1/2.5" Progressive CMOS	
Effective Pixels	2592 (H) x 1944 (V)	
Minimum Illumination	Vari-focal / Motorized- 0.2 lux (Color); 0.02 lux (B/W) Board 3.6 mm- TBD / 6.0 mm- TBD	
Shutter Speed	1 ~ 1/10000 sec.	
Lens		
Lens	Vari-focal / Motorized / Board	
Focal Length	Vari-focal / Motorized- 3.6 ~ 9.0 mm Board- 3.6 mm / 6.0 mm	
F Number	Vari-focal- F1.8; Motorized- F1.2 Board 3.6 mm- F1.6 / 6.0 mm- F1.6	
FOV	Vari-focal / Motorized- 90° (Wide); 36° (Tele) Board 3.6 m- TBD / 6.0 mm- TBD	
Operation		
Multiple Languages	English / French / German / Italian / Japanese / Korean / Portuguese / Russian / Simplified Chinese / Spanish / Traditional Chinese	
Image Setting	Backlight Compensation	On / Off
	White Balance	Auto / Manual / ATW
	3D Noise Reduction	On / Off
	Wide Dynamic Range	On / Off
	Privacy Mask	On / Off
	Brightness	Manual
	Exposure	Auto / Manual
	Sharpness	Manual
	Contrast	Manual
	Saturation	Manual
	Hue	Manual
	Digital Zoom	Support
	Motion Detection	On / Off / By Schedule
	Privacy Mask Type	Color
	ICR	Auto / On / Off / Smart
ICR + IR LED*	Auto / LED On / LED Off / Smart IR / Light Sensor	
Tampering Alarm	On / Off / By Schedule	
Audio	Two-way Audio	Line In / Line Out
	Compression	G.711 / G.726
Network		
Interface	RJ-45, 10/100 Mbps Ethernet	
Video Compression	H.264 / MJPEG	
Video Streaming	Dual Streams- H.264 + MJPEG / H.264 + H.264 Quad Streams- H.264 x 3 + MJPEG / H.264 x 4	
Video Resolution	H.264- 2592 x 1944 (5M) / 2048 x 1536 (3M) / Full HD 1080P / SXGA / HD 720P / XGA / SVGA / D1 / VGA / CIF MJPEG- Full HD 1080P / SXGA / HD 720P / XGA / SVGA / D1 / VGA / CIF	
Frame Rate	5M Dual Streams	H.264 2592 x 1944 (12 fps) + H.264 / MJPEG D1 (12 fps)
	3M Dual Streams	H.264 2048 x 1536 (15 fps) + H.264 / MJPEG 720P (15 fps)
	2M Dual Streams	H.264 1080P (30/25 fps) + H.264 / MJPEG D1 (30/25 fps)
Protocol	IPv4/v6, TCP/IP, UDP, RTP, RTSP, HTTP, HTTPS, ICMP, FTP, SMTP, DHCP, PPPoE, UPnP, IGMP, SNMP, QoS, ONVIF	
Security	HTTPS / IP Filter / IEEE 802.1x	
Alarm	Input	1 Set, 5V 10kΩ pull up
	Output	1 Set, Photo Relay Output 300V DC/AC
Event Notification	HTTP / FTP / SMTP	
microSD	microSDHC 32GB support	
Supported Web Browser	Internet Explorer (6.0+) / Chrome / Firefox / Safari	
User Account	20	
Password Levels	User and Administrator	

Mechanical		
Built-in IR Illuminator*	Working Distance	up to 25 m
	Wavelength	850 nm
	Number of LEDs	24
LED Indicator		Power / Link / ACT
Connectors	Alarm	4 of 9 Pin Terminal Block
	Power	4 Pin Terminal Block
	Ethernet	RJ-45
	Analog Video	1.0 Vp-p / 75Ω, BNC
	Audio*	5 of 9 Pin Terminal Block
General		
Operating Temperature		TBD
Humidity		TBD
Weatherproof Standard*		IP66
Dimension		∅ 149 x 99.53 mm
Weight		TBD
Power Source		DC 12V / AC 24V / PoE+
Power Consumption	System	Max. 5W
	IR LED	Max. 3.6W
	Heater	Max. 13W
	Motorized	Max. 3W
Regulatory		CE / FCC / RoHS

(*) Optional

Camera		3x Optical Zoom- 2M	
Image Sensor		1/2.7" Progressive CMOS	1/2.8" Progressive CMOS
Effective Pixels		1920 (H) x 1080 (V)	
Shutter Speed		1 ~ 1/10000 sec.	
Lens			
Lens		3x Optical Zoom, Auto Focus	
FOV		108° (Wide); 41° (Tele)	99° (Wide); 35° (Tele)
Operation			
Multiple Languages		English / French / German / Italian / Japanese / Korean / Portuguese / Russian / Simplified Chinese / Spanish / Traditional Chinese	
Image Setting	Iris Control*	P-Iris / DC Iris	
	Backlight Compensation	On / Off	
	White Balance	Auto / Manual / ATW	
	3D Noise Reduction	On / Off	
	Wide Dynamic Range	Gamma WDR	
	Privacy Mask	On / Off	
	Brightness	Manual	
	Exposure	Auto / Manual	
	Sharpness	Manual	
	Contrast	Manual	
	Saturation	Manual	
	Hue	Manual	
	Digital Zoom	Support	
	Motion Detection	On / Off / By Schedule	
	Privacy Mask Type	Color	
	ICR	Auto / On / Off / Smart	
ICR + IR LED*	Auto / LED On / LED Off / Smart IR / Light Sensor		
Tampering Alarm	On / Off / By Schedule		
Audio	Two-way Audio	Line In / Line Out	
	Compression	G.711 / G.726	
Network			
Interface		RJ-45, 10/100 Mbps Ethernet	
Video Compression		H.264 / MJPEG	
Video Streaming		Dual Streams- H.264 + MJPEG / H.264 + H.264 Quad Streams- H.264 x 3 + MJPEG / H.264 x 4	
Video Resolution		H.264- Full HD 1080P / SXGA / HD 720P / XGA / SVGA / D1 / VGA / CIF MJPEG- Full HD 1080P / SXGA / HD 720P / XGA / SVGA / D1 / VGA / CIF	
Protocol		IPv4/v6, TCP/IP, UDP, RTP, RTSP, HTTP, HTTPS, ICMP, FTP, SMTP, DHCP, PPPoE, UPnP, IGMP, SNMP, QoS, ONVIF	
Security		HTTPS / IP Filter / IEEE 802.1x	
Alarm	Input	1 Set, 5V 10kΩ pull up	
	Output	1 Set, Photo Relay Output 300V DC/AC	
Event Notification		HTTP / FTP / SMTP	
microSD		microSDHC 32GB support	
Supported Web Browser		Internet Explorer (6.0+) / Chrome / Firefox / Safari	
User Account		20	
Password Levels		User and Administrator	
Mechanical			
Built-in IR Illuminator	Working Distance	up to 25 m	
	Wavelength	850 nm	
	Number of LEDs	24	
LED Indicator		Power / Link / ACT	
Connectors	Alarm	4 of 9 Pin Terminal Block	
	Power	4 Pin Terminal Block	
	Ethernet	RJ-45	
	Analog Video	1.0 Vp-p / 75 Ω, BNC	
	Audio*	5 of 9 Pin Terminal Block	

General		
Operating Temperature	TBD	
Humidity	10% ~ 90%, No Condensation	
Weatherproof Standard*	IP66	
Dimension	∅ 149 x 99.53 mm	
Weight	TBD	
Power Source	DC 12V / AC 24V / PoE+	
Power Consumption	System	Max. 5W
	IR LED	Max. 3.6W
	Heater	Max. 13W
	3x AF	Max. 3W
Regulatory	CE / FCC / RoHS	

(*) Optional

Camera		3x Optical Zoom- 3M
Image Sensor		1/3" Sony Progressive CMOS
Effective Pixels		2048 (H) x 1536 (V)
Shutter Speed		1 ~ 1/10000 sec.
Lens		
Lens		3x Optical Zoom, Auto Focus
FOV		90° (Wide); 30° (Tele)
Operation		
Multiple Languages		English / French / German / Italian / Korean / Simplified Chinese / Traditional Chinese / Russian / Portuguese / Spanish / Japanese
Image Setting	Iris Control*	P-Iris / DC Iris
	Backlight Compensation	On / Off
	White Balance	Auto / Manual / ATW
	3D Noise Reduction	On / Off
	Wide Dynamic Range	Gamma WDR / Shutter WDR
	Privacy Mask	On / Off
	Brightness	Manual
	Exposure	Auto / Manual
	Sharpness	Manual
	Contrast	Manual
	Saturation	Manual
	Hue	Manual
	Digital Zoom	Support
	Motion Detection	On / Off / By Schedule
	Privacy Mask Type	Color
	ICR	Auto / On / Off / Smart
	ICR + IR LED*	Auto / LED On / LED Off / Smart IR / Light Sensor
Tampering Alarm	On / Off / By Schedule	
Audio	Two-way Audio	Line In / Line Out
	Compression	G.711 / G.726
Network		
Interface		RJ-45, 10/100 Mbps Ethernet
Video Compression		H.264 / MJPEG
Video Streaming		Dual Streams- H.264 + MJPEG / H.264 + H.264 Quad Streams- H.264 x 3 + MJPEG / H.264 x 4
Video Resolution		H.264- 2048 x 1536 (3M) / Full HD 1080P / SXGA / HD 720P / XGA / SVGA / D1 / VGA / CIF MJPEG- Full HD 1080P / SXGA / HD 720P / XGA / SVGA / D1 / VGA / CIF
Protocol		IPv4/v6, TCP/IP, UDP, RTP, RTSP, HTTP, HTTPS, ICMP, FTP, SMTP, DHCP, PPPoE, UPnP, IGMP, SNMP, QoS, ONVIF
Security		HTTPS / IP Filter / IEEE 802.1x
Alarm	Input	1 Set, 5V 10kΩ pull up
	Output	1 Set, Photo Relay Output 300V DC/AC
Event Notification		HTTP / FTP / SMTP
microSD		microSDHC 32GB support
Supported Web Browser		Internet Explorer (6.0+) / Chrome / Firefox / Safari
User Account		20
Password Levels		User and Administrator
Mechanical		
Built-in IR Illuminator	Working Distance	up to 25 m
	Wavelength	850 nm
	Number of LEDs	24
LED Indicator		Power / Link / ACT
Connectors	Alarm	4 of 9 Pin Terminal Block
	Power	4 Pin Terminal Block
	Ethernet	RJ-45
	Analog Video	1.0 Vp-p / 75Ω, BNC
	Audio*	5 of 9 Pin Terminal Block

General		
Operating Temperature		TBD
Humidity		0% ~ 90%, No Condensation
Weatherproof Standard*		IP66
Dimension		∅ 149 x 99.53 mm
Weight		TBD
Power Source		DC 12V / AC 24V / PoE+
Power Consumption	System	Max. 5W
	IR LED	Max. 3.6W
	Heater	Max. 13W
	3x AF	Max. 3W
Regulatory		CE / FCC / RoHS

(*) Optional

Camera		3x Optical Zoom- 5M
Image Sensor		1/2.5" Progressive CMOS
Effective Pixels		2592 (H) x 1944 (V)
Shutter Speed		1 ~ 1/10000 sec.
Lens		
Lens		3x Optical Zoom, Auto Focus
FOV		90° (Wide); 30° (Tele) @ 2048 (H) x 1536 (V) 104° (Wide); 38° (Tele) @ 2592 (H) x 1944 (V)
Operation		
Multiple Languages		English / French / German / Italian / Japanese / Korean / Portuguese / Russian / Simplified Chinese / Spanish / Traditional Chinese
Image Setting	Iris Control*	P-Iris / DC Iris
	Backlight Compensation	On / Off
	White Balance	Auto / Manual / ATW
	3D Noise Reduction	On / Off
	Wide Dynamic Range	Gamma WDR
	Privacy Mask	On / Off
	Brightness	Manual
	Exposure	Auto / Manual
	Sharpness	Manual
	Contrast	Manual
	Saturation	Manual
	Hue	Manual
	Digital Zoom	Support
	Motion Detection	On / Off / By Schedule
	Privacy Mask Type	Color
Audio	ICR	Auto / On / Off / Smart
	ICR + IR LED*	Auto / LED On / LED Off / Smart IR / Light Sensor
	Tampering Alarm	On / Off / By Schedule
Two-way Audio		Line In / Line Out
Compression		G.711 / G.726
Network		
Interface		RJ-45, 10/100 Mbps Ethernet
Video Compression		H.264 / MJPEG
Video Streaming		Dual Streams- H.264 + MJPEG / H.264 + H.264 Quad Streams- H.264 x 3 + MJPEG / H.264 x 4
Video Resolution		H.264- 2592 x 1944 (5M) / 2048 x 1536 (3M) / Full HD 1080P / SXGA / HD 720P / XGA / SVGA / D1 / VGA / CIF MJPEG- Full HD 1080P / SXGA / HD 720P / XGA / SVGA / D1 / VGA / CIF
Protocol		IPv4/v6, TCP/IP, UDP, RTP, RTSP, HTTP, HTTPS, ICMP, FTP, SMTP, DHCP, PPPoE, UPnP, IGMP, SNMP, QoS, ONVIF
Security		HTTPS / IP Filter / IEEE 802.1x
Alarm	Input	1 Set, 5V 10kΩ pull up
	Output	1 Set, Photo Relay Output 300V DC/AC
Event Notification		HTTP / FTP / SMTP
microSD		microSDHC 32GB support
Supported Web Browser		Internet Explorer (6.0+) / Chrome / Firefox / Safari
User Account		20
Password Levels		User and Administrator
Mechanical		
Built-in IR Illuminator	Working Distance	up to 25 m
	Wavelength	850 nm
	Number of LEDs	24
LED Indicator		Power / Link / ACT
Connectors	Alarm	4 of 9 Pin Terminal Block
	Power	4 Pin Terminal Block
	Ethernet	RJ-45
	Analog Video	1.0 Vp-p / 75Ω, BNC
	Audio*	5 of 9 Pin Terminal Block

General		
Operating Temperature	TBD	
Humidity	10% ~ 90%, No Condensation	
Weatherproof Standard*	IP66	
Dimension	∅ 149 x 99.53 mm	
Weight	TBD	
Power Source	DC 12V / AC 24V / PoE+	
Power Consumption	System	Max. 5W
	IR LED	Max. 3.6W
	Heater	Max. 13W
	3x AF	Max. 3W
Regulatory	CE / FCC / RoHS	

(*) Optional

Appendix B: Delete the Existing DC Viewer

For users who have installed the DC Viewer in the PC previously, please remove the existing DC Viewer from the PC before accessing to the IP Camera.

Deleting the DC Viewer

In the Windows <Start Menu>, activate <Control Panel>, and then double click on <Add or Remove Programs>. In the <Currently installed programs> list, select <DCViewer> and click on the button <Remove> to uninstall the existing DC Viewer.

Deleting Temporary Internet Files

To improve browser performance, it is suggested to clean up the all the files in the Temporary Internet Files. The procedure is as follows.

Step 1: Click on the <Tools> tab on the menu bar and select <Internet Options>.

Step 2: Click on the <Delete> button under <Browsing history> section. In the appeared window tick the box beside the <Temporary Internet files>.

Step 3: Click on <Delete> to start deleting the files.

Appendix C: Setup Internet Security

If ActiveX control installation is blocked, please either set Internet security level to default or change ActiveX controls and plug-ins settings.

Internet Security Level: Default

Step 1: Start the Internet Explorer (IE).

Step 2: Click on the <Tools> tab on the menu bar and select <Internet Options>.

Step 3: Click on the <Security> tab, and select <Internet> zone.

Step 4: Down the page, click on the <Default Level> button and click on <OK> to confirm the setting. Close the browser window, and restart a new one later to access the IP Camera.

ActiveX Controls and Plug-ins Settings

Step 1: Repeat **Steps 1 ~ 3** of the previous section above.

Step 2: Down the page, click on the <Custom Level> button to change ActiveX controls and plug-ins settings. The Security Settings window will pop up.

Step 3: Under <ActiveX controls and plug-ins>, set **ALL** items (as listed below) to <Enable> or <Prompt>. Please note that the items vary by IE version.

ActiveX controls and plug-ins settings:

1. Binary and script behaviors.
2. Download signed ActiveX controls.
3. Download unsigned ActiveX controls.
4. Allow previously unused ActiveX controls to run without prompt.
5. Allow Scriptlets.
6. Automatic prompting for ActiveX controls.
7. Initialize and script ActiveX controls not marked as safe for scripting.
8. Run ActiveX controls and plug-ins.
9. Only allow approved domains to use ActiveX without prompt.
10. Script ActiveX controls marked safe for scripting*.
11. Display video and animation on a webpage that does not use external media player.

Step 4: Click on <OK> to accept the settings. A prompt window will appear for confirming the setting changes, click <Yes(Y)> to close the Security Setting window.

Step 5: Click on <OK> to close the Internet Options screen.

Step 6: Close the browser window, and restart a new one later to access the IP Camera.

Appendix D: Video Resolution

2M- Quad Streams

H.264 + H.264 + H.264 + H.264 / MJPEG				
H.264-1	H.264-2	H.264-3	H.264-4 / MJPEG	
1920 x 1080 (15 fps)	1280 x 1024 (15 fps)	720 x 480 (15 fps)	352 x 240 (30 fps)	
		640 x 480 (15 fps)	352 x 240 (30 fps)	
		352 x 240 (30 fps)	352 x 240 (30 fps)	
	1280 x 720 (15 fps)	800 x 600 (15 fps)		720 x 480 (15 fps)
				640 x 480 (15 fps)
				352 x 240 (30 fps)
		720 x 480 (15 fps)		720 x 480 (15 fps)
				640 x 480 (15 fps)
				352 x 240 (30 fps)
				640 x 480 (30 fps)
				352 x 240 (30 fps)
	1024 x 768 (15 fps)	800 x 600 (15 fps)		720 x 480 (15 fps)
				640 x 480 (15 fps)
				352 x 240 (30 fps)
		720 x 480 (15 fps)		720 x 480 (30 fps)
				640 x 480 (30 fps)
				640 x 480 (15 fps)
				352 x 240 (30 fps)
	800 x 600 (15 fps)	800 x 600 (15 fps)		720 x 480 (30 fps)
				640 x 480 (30 fps)
				352 x 240 (30 fps)
		800 x 600 (30 fps)		800 x 600 (30 fps)
				720 x 480 (15 fps)
				720 x 480 (30 fps)
	800 x 600 (30 fps)	720 x 480 (30 fps)		640 x 480 (30 fps)
				640 x 480 (30 fps)
				352 x 240 (30 fps)
	720 x 480 (15 fps)	720 x 480 (30 fps)		720 x 480 (30 fps)
				640 x 480 (30 fps)
				640 x 480 (30 fps)
720 x 480 (30 fps)	720 x 480 (30 fps)		352 x 240 (30 fps)	
			640 x 480 (30 fps)	
			352 x 240 (30 fps)	
640 x 480 (30 fps)	640 x 480 (30 fps)		640 x 480 (30 fps)	
			352 x 240 (30 fps)	
			352 x 240 (30 fps)	
352 x 240 (30 fps)	352 x 240 (30 fps)		352 x 240 (30 fps)	
			352 x 240 (30 fps)	

H.264 + H.264 + H.264 + H.264 / MJPEG				
H.264-1	H.264-2	H.264-3	H.264-4 / MJPEG	
1280 x 1024 (15 fps)	1280 x 1024 (15 fps)	1280 x 720 (15 fps)	720 x 480 (30 fps)	
			640 x 480 (30 fps)	
			352 x 240 (30 fps)	
		800 x 600 (15 fps)	720 x 480 (30 fps)	720 x 480 (30 fps)
				640 x 480 (30 fps)
			800 x 600 (30 fps)	352 x 240 (30 fps)
				720 x 480 (30 fps)
	720 x 480 (15 fps)		720 x 480 (30 fps)	
			640 x 480 (30 fps)	
	720 x 480 (30 fps)	640 x 480 (30 fps)		
		352 x 240 (30 fps)		
	640 x 480 (30 fps)	640 x 480 (30 fps)		
		352 x 240 (30 fps)		
	352 x 240 (30 fps)	352 x 240 (30 fps)		
	1280 x 720 (15 fps)	1280 x 720 (15 fps)	1280 x 720 (15 fps)	720 x 480 (30 fps)
				640 x 480 (30 fps)
				352 x 240 (30 fps)
			800 x 600 (30 fps)	720 x 480 (30 fps)
		640 x 480 (30 fps)		
		352 x 240 (30 fps)		
		720 x 480 (30 fps)	720 x 480 (30 fps)	
			640 x 480 (30 fps)	
			352 x 240 (30 fps)	
			640 x 480 (30 fps)	
		640 x 480 (30 fps)	640 x 480 (30 fps)	
			352 x 240 (30 fps)	
		1280 x 720 (30 fps)	352 x 240 (30 fps)	352 x 240 (30 fps)
		1024 x 768 (15 fps)	800 x 600 (30 fps)	720 x 480 (30 fps)
				640 x 480 (30 fps)
	352 x 240 (30 fps)			
	720 x 480 (30 fps)		720 x 480 (30 fps)	
			640 x 480 (30 fps)	
640 x 480 (30 fps)	640 x 480 (30 fps)			
1024 x 768 (30 fps)	720 x 480 (30 fps)	352 x 240 (30 fps)		
	640 x 480 (30 fps)	352 x 240 (30 fps)		
	352 x 240 (30 fps)	352 x 240 (30 fps)		
800 x 600 (15 fps)	800 x 600 (30 fps)	720 x 480 (30 fps)		
800 x 600 (30 fps)	800 x 600 (30 fps)	640 x 480 (30 fps)		
		352 x 240 (30 fps)		
	720 x 480 (30 fps)	720 x 480 (30 fps)		
		640 x 480 (30 fps)		
		352 x 240 (30 fps)		
	640 x 480 (30 fps)	640 x 480 (30 fps)		
352 x 240 (30 fps)				
720 x 480 (30 fps)	720 x 480 (30 fps)	720 x 480 (30 fps)		
		640 x 480 (30 fps)		
		352 x 240 (30 fps)		
	640 x 480 (30 fps)	640 x 480 (30 fps)		
		352 x 240 (30 fps)		
640 x 480 (30 fps)	640 x 480 (30 fps)			
1280 x 1024 (30 fps)	800 x 600 (30 fps)	352 x 240 (30 fps)	352 x 240 (30 fps)	
	720 x 480 (30 fps)	352 x 240 (30 fps)	352 x 240 (30 fps)	
	640 x 480 (30 fps)	352 x 240 (30 fps)	352 x 240 (30 fps)	
	352 x 240 (30 fps)	352 x 240 (30 fps)	352 x 240 (30 fps)	

H.264 + H.264 + H.264 + H.264 / MJPEG					
H.264-1	H.264-2	H.264-3	H.264-4 / MJPEG		
1280 x 720 (15 fps)	1280 x 720 (15 fps)	1280 x 720 (15 fps)	720 x 480 (30 fps) 640 x 480 (30 fps)		
		1280 x 720 (30 fps)	352 x 240 (30 fps)		
		800 x 600 (30 fps)	720 x 480 (30 fps) 640 x 480 (30 fps)		
		720 x 480 (30 fps)	720 x 480 (30 fps)		
		640 x 480 (30 fps)	640 x 480 (30 fps)		
	1280 x 720 (30 fps)	1280 x 720 (30 fps)	800 x 600 (30 fps)	352 x 240 (30 fps)	
			720 x 480 (30 fps)	352 x 240 (30 fps)	
			640 x 480 (30 fps)	352 x 240 (30 fps)	
			352 x 240 (30 fps)	352 x 240 (30 fps)	
	1024 x 768 (15 fps)	1024 x 768 (15 fps)	800 x 600 (30 fps)	720 x 480 (30 fps) 640 x 480 (30 fps)	
			800 x 600 (30 fps)	352 x 240 (30 fps)	
	1024 x 768 (30 fps)	1024 x 768 (30 fps)	800 x 600 (30 fps)	720 x 480 (30 fps) 640 x 480 (30 fps) 352 x 240 (30 fps)	
			720 x 480 (30 fps)	640 x 480 (30 fps) 352 x 240 (30 fps)	
			640 x 480 (30 fps)	640 x 480 (30 fps) 352 x 240 (30 fps)	
		800 x 600 (30 fps)	800 x 600 (30 fps)	800 x 600 (30 fps)	720 x 480 (30 fps) 640 x 480 (30 fps) 352 x 240 (30 fps)
				720 x 480 (30 fps)	720 x 480 (30 fps) 640 x 480 (30 fps)
				640 x 480 (30 fps)	640 x 480 (30 fps)
	1280 x 720 (30 fps)	1024 x 768 (30 fps)	352 x 240 (30 fps)	352 x 240 (30 fps)	
		800 x 600 (30 fps)	800 x 600 (30 fps)	720 x 480 (30 fps) 640 x 480 (30 fps) 352 x 240 (30 fps)	
			720 x 480 (30 fps)	720 x 480 (30 fps)	640 x 480 (30 fps) 352 x 240 (30 fps)
640 x 480 (30 fps)				640 x 480 (30 fps) 352 x 240 (30 fps)	
640 x 480 (30 fps)		640 x 480 (30 fps)	640 x 480 (30 fps) 352 x 240 (30 fps)		
		352 x 240 (30 fps)	352 x 240 (30 fps)		
1024 x 768 (15 fps)		1024 x 768 (15 fps)	800 x 600 (30 fps)	720 x 480 (30 fps) 640 x 480 (30 fps)	
		1024 x 768 (30 fps)	800 x 600 (30 fps)	352 x 240 (30 fps)	
			720 x 480 (30 fps)	720 x 480 (30 fps) 640 x 480 (30 fps) 352 x 240 (30 fps)	
			640 x 480 (30 fps)	640 x 480 (30 fps)	
	800 x 600 (30 fps)	800 x 600 (30 fps)	800 x 600 (30 fps)	720 x 480 (30 fps) 640 x 480 (30 fps)	

2M- Triple Streams

H.264-1 + H.264-2 + H.264-3 / MJPEG		
H.264-1	H.264-2	H.264-3 / MJPEG
1920 x 1080 (15 fps)	1280 x 1024 (15 fps)	800 x 600 (15 fps)
		720 x 480 (15 fps)
		640 x 480 (15 fps)
		352 x 240 (30 fps)
	1280 x 720 (15 fps)	1280 x 720 (15 fps)
		800 x 600 (15 fps)
		720 x 480 (30 fps)
		640 x 480 (30 fps)
	1024 x 768 (15 fps)	352 x 240 (30 fps)
		800 x 600 (30 fps)
	1024 x 768 (30 fps)	720 x 480 (30 fps)
		640 x 480 (30 fps)
	800 x 600 (15 fps)	720 x 480 (30 fps)
		640 x 480 (30 fps)
800 x 600 (30 fps)	352 x 240 (30 fps)	
	720 x 480 (30 fps)	
	640 x 480 (30 fps)	
720 x 480 (30 fps)	352 x 240 (30 fps)	
	640 x 480 (30 fps)	
	352 x 240 (30 fps)	
640 x 480 (30 fps)	640 x 480 (30 fps)	
	352 x 240 (30 fps)	
352 x 240 (30fps)	352 x 240 (30fps)	
1280 x 1024 (15 fps)	1280 x 1024 (15 fps)	1280 x 720 (15 fps)
		800 x 600 (30 fps)
		720 x 480 (30 fps)
		640 x 480 (30 fps)
		352 x 240 (30 fps)
	1280 x 720 (15 fps)	1280 x 720 (15 fps)
		800 x 600 (30 fps)
	1280 x 720 (30 fps)	720 x 480 (30 fps)
		640 x 480 (30 fps)
		352 x 240 (30 fps)
	1024 x 768 (30 fps)	800 x 600 (30 fps)
		720 x 480 (30 fps)
		640 x 480 (30 fps)
		352 x 240 (30 fps)
800 x 600 (30 fps)	800 x 600 (30 fps)	
	720 x 480 (30 fps)	
	640 x 480 (30 fps)	
720 x 480 (30 fps)	720 x 480 (30 fps)	
1280 x 1024 (30 fps)	800 x 600 (30 fps)	
	720 x 480 (30 fps)	
	640 x 480 (30 fps)	
	352 x 240 (30 fps)	
	352 x 240 (30 fps)	
1280 x 720 (15 fps)	1280 x 720 (15 fps)	
	1280 x 720 (30 fps)	
	800 x 600 (30 fps)	
	720 x 480 (30 fps)	
	640 x 480 (30 fps)	
	1024 x 768 (30 fps)	
800 x 600 (30 fps)		
720 x 480 (30 fps)		
640 x 480 (30 fps)		

H.264-1 + H.264-2 + H.264-3 / MJPEG			
H.264-1	H.264-2	H.264-3 / MJPEG	
1280 x 720 (30 fps)	1280 x 720 (30 fps)	352 x 240 (30 fps)	
	1024 x 768 (30 fps)	352 x 240 (30 fps)	
	800 x 600 (30 fps)		800 x 600 (30 fps)
			720 x 480 (30 fps)
			640 x 480 (30 fps)
			352 x 240 (30 fps)
	720 x 480 (30 fps)		720 x 480 (30 fps)
			640 x 480 (30 fps)
352 x 240 (30 fps)			
640 x 480 (30 fps)		640 x 480 (30 fps)	
		352 x 240 (30 fps)	
352 x 240 (30 fps)		352 x 240 (30 fps)	
1024 x 768 (15 fps)	1024 x 768 (30 fps)	800 x 600 (30 fps)	
1024 x 768 (30 fps)	1024 x 768 (30 fps)	720 x 480 (30 fps)	
		640 x 480 (30 fps)	
		352 x 240 (30 fps)	
	800 x 600 (30 fps)		800 x 600 (30 fps)
			720 x 480 (30 fps)
			640 x 480 (30 fps)
			352 x 240 (30 fps)
	720 x 480 (30 fps)		720 x 480 (30 fps)
			640 x 480 (30 fps)
			352 x 240 (30 fps)
	640 x 480 (30 fps)		640 x 480 (30 fps)
			352 x 240 (30 fps)
352 x 240 (30 fps)		352 x 240 (30 fps)	
800 x 600 (30 fps)	800 x 600 (30 fps)	800 x 600 (30 fps)	
		720 x 480 (30 fps)	
		640 x 480 (30 fps)	
		352 x 240 (30 fps)	
	720 x 480 (30 fps)		720 x 480 (30 fps)
			640 x 480 (30 fps)
			352 x 240 (30 fps)
			352 x 240 (30 fps)
640 x 480 (30 fps)		640 x 480 (30 fps)	
		352 x 240 (30 fps)	
		352 x 240 (30 fps)	
		352 x 240 (30 fps)	
720 x 480 (30 fps)	720 x 480 (30 fps)	720 x 480 (30 fps)	
		640 x 480 (30 fps)	
		352 x 240 (30 fps)	
	640 x 480 (30 fps)		640 x 480 (30 fps)
			352 x 240 (30 fps)
352 x 240 (30 fps)		352 x 240 (30 fps)	
640 x 480 (30 fps)	640 x 480 (30 fps)	640 x 480 (30 fps)	
		352 x 240 (30 fps)	
		352 x 240 (30 fps)	
352 x 240 (30 fps)	352 x 240 (30 fps)	352 x 240 (30 fps)	

2M- Dual Streams

H.264-1 + H.264-2 / MJPEG		
H.264-1	H.264-2 / MJPEG	BNC SUPPORT
1920 x 1080 (15 fps)	1280 x 1024 (15 fps)	-
	1280 x 720 (30 fps)	-
	1024 x 768 (30 fps)	-
	800 x 600 (30 fps)	-
	720 x 480 (30 fps)	√
	640 x 480 (30 fps)	√
	352 x 240 (30 fps)	√
1280 x 1024 (30 fps)	1280 x 1024 (15 fps)	√
	1280 x 720 (15 fps)	-
	1024 x 768 (15 fps)	-
	800 x 600 (30 fps)	-
	720 x 480 (30 fps)	√
	640 x 480 (30 fps)	√
1280 x 720 (30 fps)	352 x 240 (30 fps)	√
	1280 x 720 (30 fps)	√
	1024 x 768 (30 fps)	-
	800 x 600 (30 fps)	-
	720 x 480 (30 fps)	√
	640 x 480 (30 fps)	√
1024 x 768 (30 fps)	352 x 240 (30 fps)	√
	640 x 480 (30 fps)	√
	720 x 480 (30 fps)	√
	800 x 600 (30 fps)	-
	1024 x 768 (30 fps)	√
800 x 600 (30 fps)	352 x 240 (30 fps)	√
	640 x 480 (30 fps)	√
	720 x 480 (30 fps)	√
	800 x 600 (30 fps)	√
720 x 480 (30 fps)	352 x 240 (30 fps)	√
	640 x 480 (30 fps)	√
	720 x 480 (30 fps)	√
640 x 480 (30 fps)	352 x 240 (30 fps)	√
	640 x 480 (30 fps)	√
352 x 240 (30 fps)	352 x 240 (30 fps)	-

2M- Single Stream

H.264 Only	BNC SUPPORT
1920 x 1080 (15 fps) Low Latency	-
1920 x 1080 (15 fps)	√
1280 x 1024 (30 fps)	√
1280 x 720 (30 fps)	√
1024 x 768 (30 fps)	√
800 x 600 (30 fps)	√
720 x 480 (30 fps)	√
640 x 480 (30 fps)	√
352 x 240 (30 fps)	-

MJPEG Only	BNC SUPPORT
1920 x 1080 (15 fps)	√
1280 x 1024 (30 fps)	√
1280 x 720 (30 fps)	√
1024 x 768 (30 fps)	√
800 x 600 (30 fps)	√
720 x 480 (30 fps)	√
640 x 480 (30 fps)	√
352 x 240 (30 fps)	-

2M Real time / 3M / 5M- Quad Streams

H.264 + H.264 + H.264 + H.264 / MJPEG			
H.264-1	H.264-2	H.264-3	H.264-4 / MJPEG
2592 x 1944 (12 fps)	720 x 480 (12 fps)	720 x 480 (12 fps)	352 x 240 (12 fps)
		640 x 480 (12 fps)	640 x 480 (12 fps)
		352 x 240 (12 fps)	352 x 240 (12 fps)
	640 x 480 (12 fps)	640 x 480 (12 fps)	640 x 480 (12 fps)
		352 x 240 (12 fps)	352 x 240 (12 fps)
		352 x 240 (12 fps)	352 x 240 (12 fps)

*The resolution is for 5M Model only.

H.264 + H.264 + H.264 + H.264 / MJPEG				
H.264-1	H.264-2	H.264-3	H.264-4 / MJPEG	
2048 x 1536 (15 fps)	1280 x 720 (15 fps)	720 x 480 (15 fps)	640 x 480 (15 fps)	
			352 x 240 (15 fps)	
		640 x 480 (15 fps)	640 x 480 (15 fps)	
	800 x 600 (15 fps)	800 x 600 (15 fps)	352 x 240 (15 fps)	352 x 240 (15 fps)
			800 x 600 (15 fps)	720 x 480 (15 fps)
				640 x 480 (15 fps)
		720 x 480 (15 fps)	720 x 480 (15 fps)	640 x 480 (15 fps)
				352 x 240 (15 fps)
			640 x 480 (15 fps)	640 x 480 (15 fps)
	720 x 480 (15 fps)	720 x 480 (15 fps)	352 x 240 (15 fps)	352 x 240 (15 fps)
				720 x 480 (15 fps)
			640 x 480 (15 fps)	640 x 480 (15 fps)
		640 x 480 (15 fps)	640 x 480 (15 fps)	640 x 480 (15 fps)
				352 x 240 (15 fps)
			352 x 240 (15 fps)	352 x 240 (15 fps)
	352 x 240 (15 fps)	352 x 240 (15 fps)	640 x 480 (15 fps)	640 x 480 (15 fps)
				352 x 240 (15 fps)
			352 x 240 (15 fps)	352 x 240 (15 fps)

*The resolution is for 3M & 5M Model only.

H.264 + H.264 + H.264 + H.264 / MJPEG			
H.264-1	H.264-2	H.264-3	H.264-4 / MJPEG
1920 x 1080 (15 fps)	1280 x 1024 (15 fps)	1280 x 720 (15 fps)	720 x 480 (15 fps)
			640 x 480 (15 fps)
			352 x 240 (30 fps)
		800 x 600 (15 fps)	720 x 480 (30 fps)
			640 x 480 (30 fps)
			352 x 240 (30 fps)
		800 x 600 (30 fps)	720 x 480 (15 fps)
			720 x 480 (30 fps)
	640 x 480 (30 fps)		
	720 x 480 (30 fps)	640 x 480 (30 fps)	
		352 x 240 (30 fps)	
		352 x 240 (30 fps)	
	1280 x 720 (15 fps)	1280 x 720 (15 fps)	720 x 480 (30 fps)
			640 x 480 (30 fps)
			352 x 240 (30 fps)
		800 x 600 (30 fps)	720 x 480 (30 fps)
	640 x 480 (30 fps)		
	352 x 240 (30 fps)		
	720 x 480 (30 fps)	720 x 480 (30 fps)	
		640 x 480 (30 fps)	
		640 x 480 (30 fps)	
	1280 x 720 (30 fps)	720 x 480 (30 fps)	
		640 x 480 (30 fps)	
		352 x 240 (30 fps)	
	1024 x 768 (15 fps)	800 x 600 (30 fps)	720 x 480 (30 fps)
			640 x 480 (30 fps)
			640 x 480 (30 fps)
	1024 x 768 (30 fps)	800 x 600 (30 fps)	
		720 x 480 (30 fps)	
		640 x 480 (30 fps)	
	800 x 600 (30 fps)	800 x 600 (30 fps)	720 x 480 (30 fps)
			640 x 480 (30 fps)
			352 x 240 (30 fps)
		720 x 480 (30 fps)	
	720 x 480 (30 fps)	720 x 480 (30 fps)	640 x 480 (30 fps)
			352 x 240 (30 fps)
			352 x 240 (30 fps)
		640 x 480 (30 fps)	
	640 x 480 (30 fps)	640 x 480 (30 fps)	
		352 x 240 (30 fps)	
		352 x 240 (30 fps)	
	1920 x 1080 (30 fps)	352 x 240 (30 fps)	352 x 240 (30 fps)

H.264 + H.264 + H.264 + H.264 / MJPEG				
H.264-1	H.264-2	H.264-3	H.264-4 / MJPEG	
1280 x 1024 (15 fps)	1280 x 1024 (15 fps)	1280 x 720 (15 fps)	720 x 480 (30 fps) 640 x 480 (30 fps)	
		1280 x 720 (30 fps)	352 x 240 (30 fps)	
		800 x 600 (30 fps)	720 x 480 (30 fps)	720 x 480 (30 fps)
			640 x 480 (30 fps)	640 x 480 (30 fps)
			352 x 240 (30 fps)	352 x 240 (30 fps)
		720 x 480 (30 fps)	720 x 480 (30 fps)	720 x 480 (30 fps)
	640 x 480 (30 fps)	640 x 480 (30 fps)	640 x 480 (30 fps)	
	1280 x 1024 (30 fps)	720 x 480 (30 fps)	352 x 240 (30 fps)	352 x 240 (30 fps)
		640 x 480 (30 fps)	352 x 240 (30 fps)	352 x 240 (30 fps)
		352 x 240 (30 fps)	352 x 240 (30 fps)	352 x 240 (30 fps)
	1280 x 720 (15 fps)	1280 x 720 (30 fps)	720 x 480 (30 fps)	720 x 480 (30 fps)
			640 x 480 (30 fps)	640 x 480 (30 fps)
			352 x 240 (30 fps)	352 x 240 (30 fps)
	1280 x 720 (30 fps)	800 x 600 (30 fps)	720 x 480 (30 fps)	720 x 480 (30 fps)
			640 x 480 (30 fps)	640 x 480 (30 fps)
		720 x 480 (30 fps)	720 x 480 (30 fps)	720 x 480 (30 fps)
			640 x 480 (30 fps)	640 x 480 (30 fps)
			352 x 240 (30 fps)	352 x 240 (30 fps)
		640 x 480 (30 fps)	640 x 480 (30 fps)	640 x 480 (30 fps)
		352 x 240 (30 fps)	352 x 240 (30 fps)	352 x 240 (30 fps)
		1024 x 768 (30 fps)	800 x 600 (30 fps)	720 x 480 (30 fps)
	640 x 480 (30 fps)			640 x 480 (30 fps)
	720 x 480 (30 fps)		720 x 480 (30 fps)	720 x 480 (30 fps)
			640 x 480 (30 fps)	640 x 480 (30 fps)
352 x 240 (30 fps)			352 x 240 (30 fps)	
800 x 600 (30 fps)	800 x 600 (30 fps)	720 x 480 (30 fps)	720 x 480 (30 fps)	
	720 x 480 (30 fps)	720 x 480 (30 fps)	720 x 480 (30 fps)	
1280 x 1024 (30 fps)	1024 x 768 (30 fps)	352 x 240 (30 fps)	352 x 240 (30 fps)	
	800 x 600 (30 fps)	800 x 600 (30 fps)	352 x 240 (30 fps)	
		720 x 480 (30 fps)	352 x 240 (30 fps)	
		640 x 480 (30 fps)	640 x 480 (30 fps)	
	720 x 480 (30 fps)	352 x 240 (30 fps)	352 x 240 (30 fps)	
		720 x 480 (30 fps)	720 x 480 (30 fps)	
		640 x 480 (30 fps)	640 x 480 (30 fps)	
		352 x 240 (30 fps)	352 x 240 (30 fps)	
	640 x 480 (30 fps)	640 x 480 (30 fps)	640 x 480 (30 fps)	
		352 x 240 (30 fps)	352 x 240 (30 fps)	
		352 x 240 (30 fps)	352 x 240 (30 fps)	
	352 x 240 (30 fps)	352 x 240 (30 fps)	352 x 240 (30 fps)	352 x 240 (30 fps)
1280 x 720 (15 fps)	1280 x 720 (15 fps)	1280 x 720 (30 fps)	720 x 480 (30 fps) 640 x 480 (30 fps)	
		1280 x 720 (30 fps)	352 x 240 (30 fps)	
	1280 x 720 (30 fps)	800 x 600 (30 fps)	720 x 480 (30 fps)	720 x 480 (30 fps)
		720 x 480 (30 fps)	720 x 480 (30 fps)	
		640 x 480 (30 fps)	640 x 480 (30 fps)	
		640 x 480 (30 fps)	640 x 480 (30 fps)	
	1024 x 768 (30 fps)	800 x 600 (30 fps)	720 x 480 (30 fps)	720 x 480 (30 fps)

H.264 + H.264 + H.264 + H.264 / MJPEG				
H.264-1	H.264-2	H.264-3	H.264-4 / MJPEG	
1280 x 720 (30 fps)	1280 x 720 (30 fps)	800 x 600 (30 fps)	352 x 240 (30 fps)	
		720 x 480 (30 fps)	352 x 240 (30 fps)	
		640 x 480 (30 fps)	352 x 240 (30 fps)	
		352 x 240 (30 fps)	352 x 240 (30 fps)	
	1024 x 768 (30 fps)	800 x 600 (30 fps)	800 x 600 (30 fps)	352 x 240 (30 fps)
			720 x 480 (30 fps)	720 x 480 (30 fps)
			640 x 480 (30 fps)	640 x 480 (30 fps)
		720 x 480 (30 fps)	640 x 480 (30 fps)	352 x 240 (30 fps)
			352 x 240 (30 fps)	352 x 240 (30 fps)
			352 x 240 (30 fps)	352 x 240 (30 fps)
	800 x 600 (30 fps)	800 x 600 (30 fps)	800 x 600 (30 fps)	720 x 480 (30 fps)
			720 x 480 (30 fps)	640 x 480 (30 fps)
			640 x 480 (30 fps)	352 x 240 (30 fps)
			352 x 240 (30 fps)	352 x 240 (30 fps)
		720 x 480 (30 fps)	720 x 480 (30 fps)	720 x 480 (30 fps)
			640 x 480 (30 fps)	640 x 480 (30 fps)
			640 x 480 (30 fps)	352 x 240 (30 fps)
			352 x 240 (30 fps)	352 x 240 (30 fps)
	640 x 480 (30 fps)	640 x 480 (30 fps)	640 x 480 (30 fps)	
		352 x 240 (30 fps)	352 x 240 (30 fps)	
		352 x 240 (30 fps)	352 x 240 (30 fps)	
		352 x 240 (30 fps)	352 x 240 (30 fps)	
	1024 x 768 (30 fps)	1024 x 768 (30 fps)	800 x 600 (30 fps)	720 x 480 (30 fps)
				640 x 480 (30 fps)
352 x 240 (30 fps)				
720 x 480 (30 fps)			720 x 480 (30 fps)	720 x 480 (30 fps)
			640 x 480 (30 fps)	640 x 480 (30 fps)
			640 x 480 (30 fps)	352 x 240 (30 fps)
			352 x 240 (30 fps)	352 x 240 (30 fps)
800 x 600 (30 fps)			800 x 600 (30 fps)	800 x 600 (30 fps)
		720 x 480 (30 fps)		640 x 480 (30 fps)
		640 x 480 (30 fps)		352 x 240 (30 fps)
		720 x 480 (30 fps)	720 x 480 (30 fps)	720 x 480 (30 fps)
			640 x 480 (30 fps)	640 x 480 (30 fps)
			352 x 240 (30 fps)	352 x 240 (30 fps)
720 x 480 (30 fps)		720 x 480 (30 fps)	720 x 480 (30 fps)	720 x 480 (30 fps)
			640 x 480 (30 fps)	640 x 480 (30 fps)
			640 x 480 (30 fps)	352 x 240 (30 fps)
			352 x 240 (30 fps)	352 x 240 (30 fps)
		640 x 480 (30 fps)	640 x 480 (30 fps)	640 x 480 (30 fps)
			352 x 240 (30 fps)	352 x 240 (30 fps)
			352 x 240 (30 fps)	352 x 240 (30 fps)
			352 x 240 (30 fps)	352 x 240 (30 fps)

H.264 + H.264 + H.264 + H.264 / MJPEG				
H.264-1	H.264-2	H.264-3	H.264-4 / MJPEG	
800 x 600 (30 fps)	800 x 600 (30 fps)	800 x 600 (30 fps)	352 x 240 (30 fps)	
		720 x 480 (30 fps)	720 x 480 (30 fps)	720 x 480 (30 fps)
			640 x 480 (30 fps)	640 x 480 (30 fps)
		720 x 480 (30 fps)	640 x 480 (30 fps)	640 x 480 (30 fps)
	640 x 480 (30 fps)		352 x 240 (30 fps)	640 x 480 (30 fps)
			352 x 240 (30 fps)	352 x 240 (30 fps)
	640 x 480 (30 fps)		640 x 480 (30 fps)	640 x 480 (30 fps)
		352 x 240 (30 fps)	352 x 240 (30 fps)	352 x 240 (30 fps)
	720 x 480 (30 fps)	720 x 480 (30 fps)	720 x 480 (30 fps)	720 x 480 (30 fps)
				640 x 480 (30 fps)
			640 x 480 (30 fps)	352 x 240 (30 fps)
		640 x 480 (30 fps)	640 x 480 (30 fps)	640 x 480 (30 fps)
352 x 240 (30 fps)				352 x 240 (30 fps)
352 x 240 (30 fps)			352 x 240 (30 fps)	352 x 240 (30 fps)
640 x 480 (30 fps)		640 x 480 (30 fps)	640 x 480 (30 fps)	640 x 480 (30 fps)
			352 x 240 (30 fps)	352 x 240 (30 fps)
	352 x 240 (30 fps)	352 x 240 (30 fps)	352 x 240 (30 fps)	
352 x 240 (30 fps)	352 x 240 (30 fps)	352 x 240 (30 fps)	352 x 240 (30 fps)	

2M Real time / 3M / 5M- Triple Streams

H.264-1 + H.264-2 + H.264-3 / MJPEG		
H.264-1	H.264-2	H.264-3 / MJPEG
2592 x 1944 (12 fps)	720 x 480 (12 fps)	720 x 480 (12 fps)
		640 x 480 (12 fps)
		352 x 240 (12 fps)
	640 x 480 (12 fps)	640 x 480 (12 fps)
		352 x 240 (12 fps)

*The resolution is for 5M Model only.

H.264-1 + H.264-2 + H.264-3 / MJPEG		
H.264-1	H.264-2	H.264-3 / MJPEG
2048 x 1536 (15 fps)	1280 x 720 (15 fps)	720 x 480 (15 fps)
		640 x 480 (15 fps)
		352 x 240 (15 fps)
	800 x 600 (15 fps)	800 x 600 (15 fps)
		720 x 480 (15 fps)
		640 x 480 (15 fps)
	720 x 480 (15 fps)	352 x 240 (15 fps)
		720 x 480 (15 fps)
		640 x 480 (15 fps)
	640 x 480 (15 fps)	352 x 240 (15 fps)
		640 x 480 (15 fps)
		352 x 240 (15 fps)
	352 x 240 (15 fps)	352 x 240 (15 fps)

*The resolution is for 3M & 5M Model only.

H.264-1 + H.264-2 + H.264-3 / MJPEG		
H.264-1	H.264-2	H.264-3 / MJPEG
1920 x 1080 (15 fps)	1280 x 1024 (15 fps)	1280 x 720 (15 fps)
		800 x 600 (30 fps)
		720 x 480 (30 fps)
		640 x 480 (30 fps)
		352 x 240 (30 fps)
	1280 x 720 (15 fps)	1280 x 720 (30 fps)
		800 x 600 (30 fps)
		720 x 480 (30 fps)
	1280 x 720 (30 fps)	640 x 480 (30 fps)
		352 x 240 (30 fps)
		800 x 600 (30 fps)
	1024 x 768 (30 fps)	720 x 480 (30 fps)
		640 x 480 (30 fps)
		352 x 240 (30 fps)
		800 x 600 (30 fps)
	800 x 600 (30 fps)	720 x 480 (30 fps)
		640 x 480 (30 fps)
		352 x 240 (30 fps)
		720 x 480 (30 fps)
	720 x 480 (30 fps)	640 x 480 (30 fps)
		352 x 240 (30 fps)
640 x 480 (30 fps)		
640 x 480 (30 fps)	352 x 240 (30 fps)	
	352 x 240 (30 fps)	
1920 x 1080 (30 fps)	352 x 240 (30 fps)	

H.264-1 + H.264-2 + H.264-3 / MJPEG		
H.264-1	H.264-2	H.264-3 / MJPEG
1280 x 1024 (15 fps)	1280 x 1024 (15 fps)	1280 x 720 (30 fps)
		800 x 600 (30 fps)
	1280 x 1024 (30 fps)	720 x 480 (30 fps)
		640 x 480 (30 fps)
	1280 x 720 (15 fps)	352 x 240 (30 fps)
		1280 x 720 (30 fps)
1280 x 720 (30 fps)	800 x 600 (30 fps)	
	720 x 480 (30 fps)	
1024 x 768 (30 fps)	640 x 480 (30 fps)	
	800 x 600 (30 fps)	
1280 x 1024 (30 fps)	1280 x 720 (30 fps)	720 x 480 (30 fps)
	1024 x 768 (30 fps)	640 x 480 (30 fps)
		352 x 240 (30 fps)
		800 x 600 (30 fps)
	800 x 600 (30 fps)	720 x 480 (30 fps)
		640 x 480 (30 fps)
		352 x 240 (30 fps)
	720 x 480 (30 fps)	720 x 480 (30 fps)
		640 x 480 (30 fps)
		352 x 240 (30 fps)
640 x 480 (30 fps)	640 x 480 (30 fps)	
	352 x 240 (30 fps)	
352 x 240 (30 fps)	352 x 240 (30 fps)	
1280 x 720 (15 fps)	1280 x 720 (30 fps)	1280 x 720 (30 fps)
1280 x 720 (30 fps)	1280 x 720 (30 fps)	800 x 600 (30 fps)
		720 x 480 (30 fps)
		640 x 480 (30 fps)
		352 x 240 (30 fps)
	1024 x 768 (30 fps)	800 x 600 (30 fps)
		720 x 480 (30 fps)
		640 x 480 (30 fps)
		352 x 240 (30 fps)
	800 x 600 (30 fps)	800 x 600 (30 fps)
		720 x 480 (30 fps)
		640 x 480 (30 fps)
		352 x 240 (30 fps)
	720 x 480 (30 fps)	720 x 480 (30 fps)
		640 x 480 (30 fps)
352 x 240 (30 fps)		
640 x 480 (30 fps)	640 x 480 (30 fps)	
	352 x 240 (30 fps)	
352 x 240 (30 fps)	352 x 240 (30 fps)	
1024 x 768 (30 fps)	1024 x 768 (30 fps)	800 x 600 (30 fps)
		720 x 480 (30 fps)
		640 x 480 (30 fps)
		352 x 240 (30 fps)
	800 x 600 (30 fps)	800 x 600 (30 fps)
		720 x 480 (30 fps)
		640 x 480 (30 fps)
		352 x 240 (30 fps)
	720 x 480 (30 fps)	720 x 480 (30 fps)
		640 x 480 (30 fps)
		352 x 240 (30 fps)
		640 x 480 (30 fps)
640 x 480 (30 fps)	640 x 480 (30 fps)	
	352 x 240 (30 fps)	
352 x 240 (30 fps)	352 x 240 (30 fps)	

H.264-1 + H.264-2 + H.264-3 / MJPEG		
H.264-1	H.264-2	H.264-3 / MJPEG
800 x 600 (30 fps)	800 x 600 (30 fps)	800 x 600 (30 fps)
		720 x 480 (30 fps)
		640 x 480 (30 fps)
		352 x 240 (30 fps)
	720 x 480 (30 fps)	720 x 480 (30 fps)
		640 x 480 (30 fps)
		352 x 240 (30 fps)
		352 x 240 (30 fps)
720 x 480 (30 fps)	720 x 480 (30 fps)	720 x 480 (30 fps)
		640 x 480 (30 fps)
		352 x 240 (30 fps)
	640 x 480 (30 fps)	640 x 480 (30 fps)
		352 x 240 (30 fps)
		352 x 240 (30 fps)
640 x 480 (30 fps)	640 x 480 (30 fps)	
	352 x 240 (30 fps)	
	352 x 240 (30 fps)	
352 x 240 (30 fps)	352 x 240 (30 fps)	

2M Real time / 3M / 5M- Dual Streams

H.264-1 + H.264-2 / MJPEG		
H.264-1	H.264-2 / MJPEG	BNC SUPPORT
2592 x 1944 (12 fps)	720 x 480 (12 fps)	-
	640 x 480 (12 fps)	-
	352 x 240 (12 fps)	-

*The resolution is for 5M Model only.

H.264-1 + H.264-2 / MJPEG		
H.264-1	H.264-2 / MJPEG	BNC SUPPORT
2048 x 1536 (15 fps)	1280 x 720 (15 fps)	-
	800 x 600 (15 fps)	-
	720 x 480 (15 fps)	-
	640 x 480 (15 fps)	-
	352 x 240 (15 fps)	-

*The resolution is for 3M & 5M Model only.

H.264-1 + H.264-2 / MJPEG		
H.264-1	H.264-2 / MJPEG	BNC SUPPORT
1920 x 1080 (15 fps)	1920 x 1080 (15 fps)	√
	1280 x 1024 (30 fps)	-
	1280 x 720 (30 fps)	-
	1024 x 768 (30 fps)	-
	800 x 600 (30 fps)	-
1920 x 1080 (30 fps)	720 x 480 (30 fps)	√
	640 x 480 (30 fps)	√
	352 x 240 (30 fps)	√
1280 x 1024 (30 fps)	1280 x 1024 (15 fps)	√
	1280 x 720 (30 fps)	-
	1024 x 768 (30 fps)	-
	800 x 600 (30 fps)	-
	720 x 480 (30 fps)	√
	640 x 480 (30 fps)	√
1280 x 720 (30 fps)	352 x 240 (30 fps)	√
	1280 x 720 (30 fps)	√
	1024 x 768 (30 fps)	-
	800 x 600 (30 fps)	-
	720 x 480 (30 fps)	√
1024 x 768 (30 fps)	640 x 480 (30 fps)	√
	352 x 240 (30 fps)	√
	1024 x 768 (30 fps)	√
	800 x 600 (30 fps)	-
	720 x 480 (30 fps)	√
800 x 600 (30 fps)	640 x 480 (30 fps)	√
	352 x 240 (30 fps)	√
	800 x 600 (30 fps)	√
	720 x 480 (30 fps)	√
720 x 480 (30 fps)	640 x 480 (30 fps)	√
	352 x 240 (30 fps)	√
	720 x 480 (30 fps)	√
640 x 480 (30 fps)	640 x 480 (30 fps)	√
	352 x 240 (30 fps)	√
352 x 240 (30 fps)	352 x 240 (30 fps)	-

2M Real time / 3M / 5M- Single Stream

H.264 Only	BNC SUPPORT
2592 x 1944 (12 fps)*	-
2048 x 1536 (15 fps)**	-
1920 x 1080 (30 fps) Low Latency***	-
1920 x 1080 (30 fps)	√
1280 x 1024 (30 fps)	√
1280 x 720 (30 fps)	√
1024 x 768 (30 fps)	√
800 x 600 (30 fps)	√
720 x 480 (30 fps)	√
640 x 480 (30 fps)	√
352 x 240 (30 fps)	-

* The resolution is for 5M Model only.

** The resolution is for 3M & 5M Model only.

*** 1920 x 1080 (30 fps) Low Latency does not support BNC, 3DNR, Motion Detection and digital zoom.

MJPEG Only	BNC SUPPORT
1920 x 1080 (30 fps)	√
1280 x 1024 (30 fps)	√
1280 x 720 (30 fps)	√
1024 x 768 (30 fps)	√
800 x 600 (30 fps)	√
720 x 480 (30 fps)	√
640 x 480 (30 fps)	√
352 x 240 (30 fps)	-